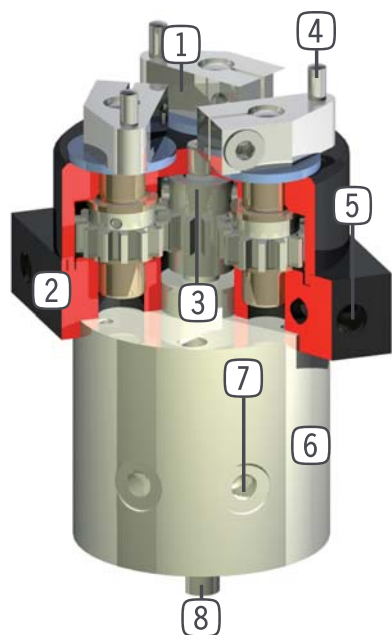
**Product information:**

- ▶ Large stroke at compact design
- ▶ Ideal for parts with different diameters
- ▶ Infinitely adjustable stroke and monitoring of gripper jaws' position via optional accessory
- ▶ Maintenance free up to 10 million cycles
- ▶ High temperature resistant version (up to 150°C) available upon request

**Design:**

- ① **Gripping movement on rotation**
  - for various workpiece diameters
- ② **Robust, light housing**
  - hard coated anodized aluminium alloy
- ③ **Planetary transmission**
  - synchronized jaw movement
- ④ **Standard pins serve as gripper jaw**
- ⑤ **Mounting and positioning**
  - mounting possible from several sides for versatile positioning
- ⑥ **Drive**
  - double-acting pneumatic rotor cylinder
- ⑦ **Energy supply**
  - possible radial and axial
- ⑧ **Shaft projection**
  - for accessory assembly e.g. sensors

▶ Installation size: **GD1**

Dimension		Forces and moments			
B [mm]	H [mm]	Mr [Nm]	Mx [Nm]	My [Nm]	Fa [N]
29	62.3	0.1	0.1	0.1	10

Technical Data*						
Order no.	Stroke per Jaw [°]	Weight [kg]	Grip-Ø in closing [mm]		Grip-Ø in opening [mm]	
			min.	max.	min.	max.
<b>GD1-B</b>	130	0.083	3	22	7	26

▶ Installation size: **GD10**

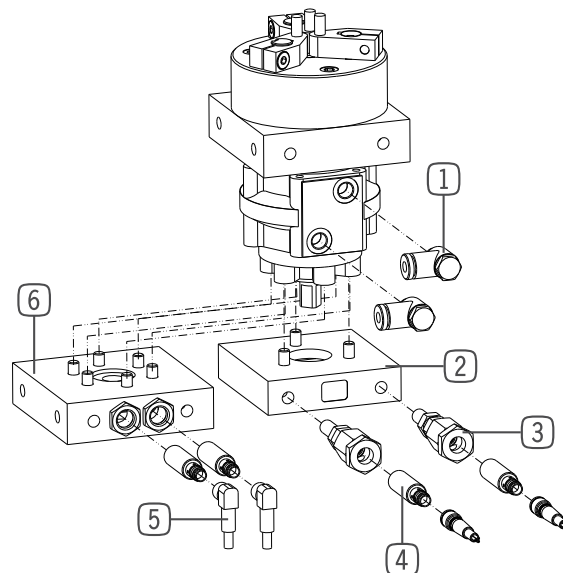
Dimension		Forces and moments			
B [mm]	H [mm]	Mr [Nm]	Mx [Nm]	My [Nm]	Fa [N]
49	93.5	1	1	0.5	30

Technical Data*						
Order no.	Stroke per Jaw [°]	Weight [kg]	Grip-Ø in closing [mm]		Grip-Ø in opening [mm]	
			min.	max.	min.	max.
<b>GD10</b>	180	0.354	5	45	11	51

▶ Installation size: **GD50**

Dimension		Forces and moments			
B [mm]	H [mm]	Mr [Nm]	Mx [Nm]	My [Nm]	Fa [N]
88	172.5	5	5	4	100

Technical Data*						
Order no.	Stroke per Jaw [°]	Weight [kg]	Grip-Ø in closing [mm]		Grip-Ø in opening [mm]	
			min.	max.	min.	max.
<b>GD50</b>	120	2	9	62	21	74



### Recommended accessories:

#### ① Pneumatic fittings

Version: Angled	
To match	Order no.:
GD1	<b>WVM5</b>
GD10	<b>WVM5</b>
GD50	<b>WV1/8X8</b>
Version: Straight	
To match	Order no.:
GD1	<b>GVM5</b>
GD10	<b>GVM5</b>
GD50	<b>GV1/8X8</b>

#### ② Rotation limiter

To match	Order no.:
GD1	<b>DB1-B</b>
GD10	<b>DB10</b>
GD50	<b>DB50</b>

#### ③ Stop-stroke adjusting screw

To match	Order no.:
GD1	<b>AI-M8X1-38</b>
GD50	<b>AI-M8X1-38</b>
GD1	<b>AI-M8X1-53</b>
GD50	<b>AI-M8X1-53</b>

#### ④ Inductive proximity switch

Version: Cable 5 m	
To match	Order no.:
GD1	<b>NJ3-E2-02</b>
GD10	<b>NJ12-E2</b>
GD50	<b>NJ12-E2</b>
Version: Connector M8	
To match	Order no.:
GD10	<b>NJ12-E2S</b>
GD50	<b>NJ12-E2S</b>

#### ⑤ Plug-in connector

Version: Angled / Cable 5 m / Socket M8 (female)	
To match	Order no.:
GD10	<b>KAW500</b>
GD50	<b>KAW500</b>
Version: Straight / Cable 5 m / Socket M8 (female)	
To match	Order no.:
GD10	<b>KAG500</b>
GD50	<b>KAG500</b>

#### ⑥ Monitoring device for intermediate position

To match	Order no.:
GD50	<b>GF50</b>

### Supplementary accessories:

#### Quick ventilation valve

To match	Order no.:
GD1	<b>DEV04</b>
GD10	<b>DEV04</b>
GD50	<b>DEV08</b>

#### Pressure safety valve

To match	Order no.:
all	<b>DSV1/8</b>

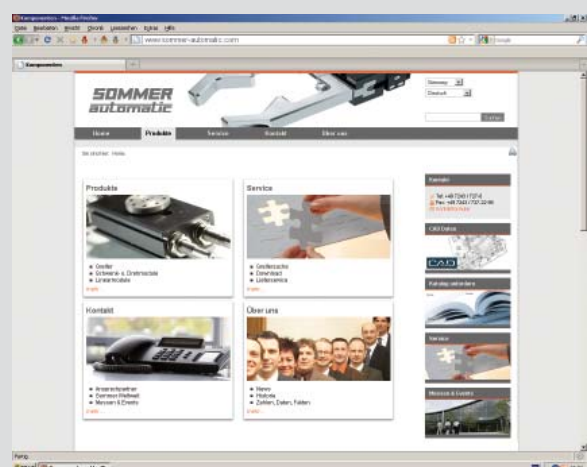
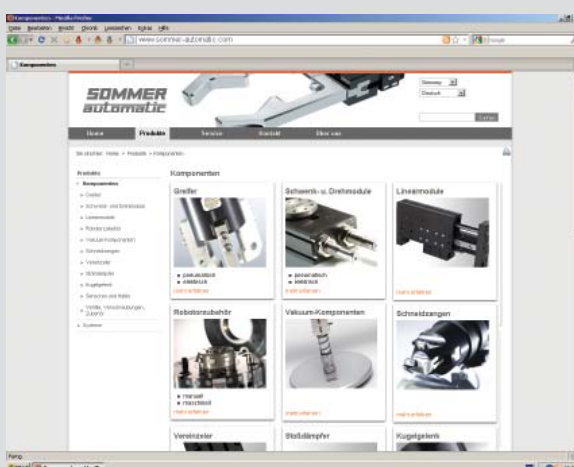
#### Plug-in conversion connector

Version: Straight / 3-pole / Connector M8	
To match	Order no.:
all	<b>S8-G-3</b>
Version: Straight / 3-pole / Connector M12	
To match	Order no.:
all	<b>S12-G-3</b>

## Sommer-automatic worldwide!



- All products at one glance
- CAD data free of charge
- Contact person
- Data sheets
- Fairs & events
- ...



 [www.sommer-automatic.com](http://www.sommer-automatic.com)