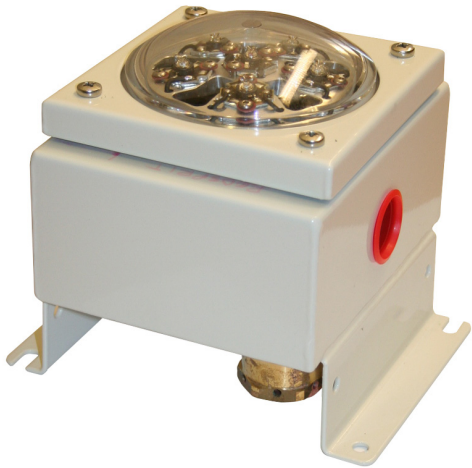


TEF 2440 LED PERIMETER LIGHT / OBSTRUCTION LIGHT USER MANUAL



IMPORTANT

Read this instruction carefully before installing the product



TEF 2440 LED LUMINAIRE USER MANUAL

INTRODUCTION

Thank you for purchasing this product!
For installation, maintenance and assurance of a long life of this product, please follow this manual.

APPLICATIONS

- Perimeter light for helideck landing areas.
- Signal lighting
- Obstacle marking

CONTENT IN BOX

The product is fully assembled, and ready for installation.

TOOLS REQUIRED

Regular tools required for installation.

- 10mm wrench when installing the luminaire.
- 32mm wrench when installing the cable gland.
- 30mm wrench when installing the lock nut.
- 25mm wrench when tightening the pressure nut.
- PZ 2 screwdriver for assemble/disassemble the globe.
- 3 mm straight screwdriver for terminal to connect the lighting.
- 5 mm straight screwdriver for earth screw.

Do not use powertools when fastening globe!

SAFETY PRECAUTIONS

Note that changes made to the product and/or installation of components which do not conform to the approval, may be a safety violation. The manufacturer will in no circumstance be held responsible for such activity. For your health and safety, always use safety gear suited for the task. Be certain to follow codes, regulations and/or specific procedures that are related to the installation.

MAINTENANCE INSTRUCTIONS

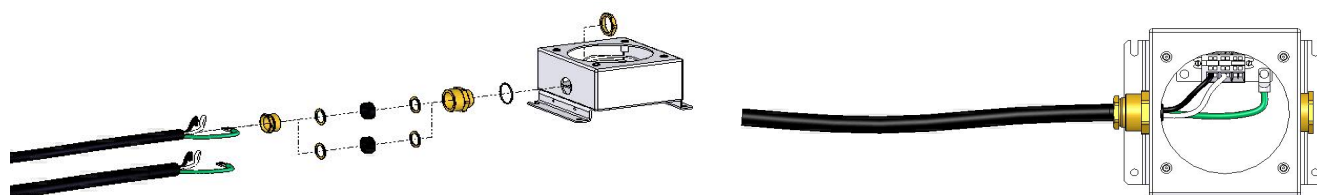
The luminaire should be inspected according to Company routines. The manufacturer suggests regular check for water intrusion/condensation which should be removed immediately. When cleaning, use only mild detergents. Alcohol or petroleum based products may damage lens, paint or plastic components.

RUBBER SEAL

Cable diameter	Size	Part No.
8,5 - 13,5mm	Ø23/13x8mm	5002 0124
13 - 17mm	Ø23/16x8mm	5002 0125

Be sure to install cable in a way wich prevents water to penetrate into the enclosure through the cable gland, also make sure to use the correct rubber seal when you install the luminaire.

ELECTRICAL INSTALLATION



The luminaire is factory configured with grommet kit 3C, suitable for cable diameters ranging from 8.5 mm to 13.5 mm. For cable diameters ranging from 13.0 mm to 17.0 mm, please ensure to replace the installed grommet kit with kit 3D, for thinner cables, ask your supplier which grommet kits to be used. Cable entries should be tightened properly. Do not use excessive force, as this may disalign the grommet components and lead to water intrusion. Make sure electrical connections are safe and reliable.

COMPLETE THE INSTALLATION

Before replacing the globe assembly, please review the following:

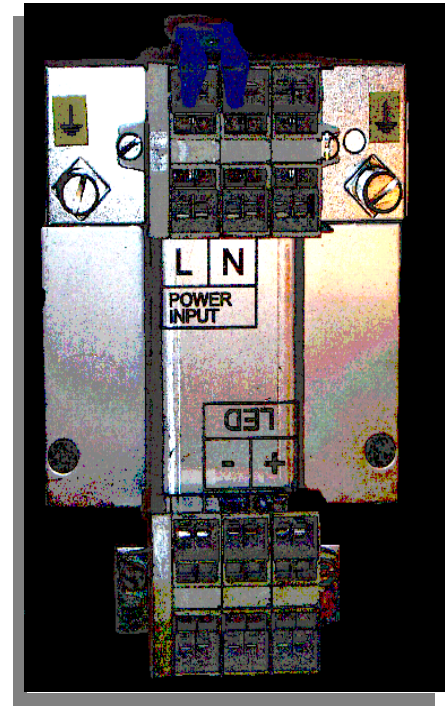
- Verify that the grommet kit used match the cable diameter.
- Cables should have a bend downwards before entering the cable gland, which will avoid water intrusion into the luminaire.
- An unused cable gland should be replaced with a blind plug.

The safety wire should be in place and the two electrical wires for power to the LED's should be correctly positioned (+ and -). The input power 120 or 230 VAC should be terminated as indicated inside the lamp.

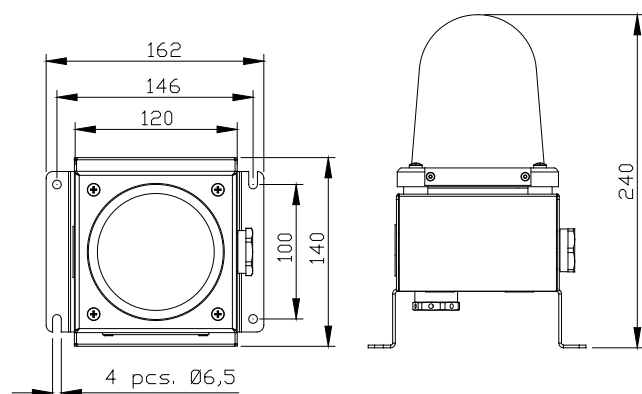
For the 24VAC/VDC version, connect power to the connection block.

Ensure the globe gasket is clean and properly aligned around the bottom of the globe assembly. Carefully position the globe onto the lamp body and ensure that no wires come between the lamp body and the globe assembly. Place the globe ring over the globe and ensure the four screws enter the recessed nuts in the lamp body.

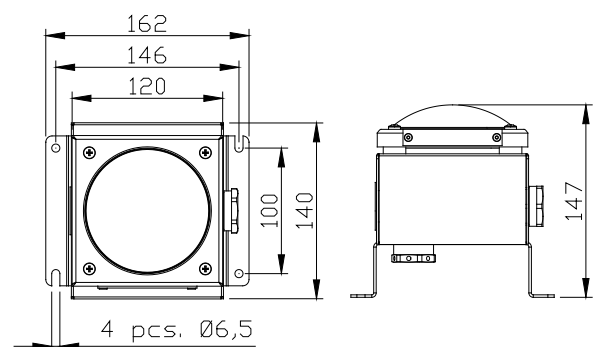
Slightly tighten two opposite screws, then repeat with the other two opposite screws. This ensures that the globe is positioned evenly and the pressure on the globe gasket is distributed evenly. Tighten all four screws until the globe is firmly positioned. Power tools should under no circumstances be used!



DIMENSIONS



240A104472



240A104471

SPARE PARTS

Description	Part No.
Complete low globe assembly, green	4528
Complete high globe assembly, red	4417
Complete fastening ring	4249
LED driver 230VAC	5086 0079
LED driver 120VAC	5086 0089
LED driver 24VAC/VDC	4399
Globe gasket, silicon	5001 0021
Complete connection assembly	4246
Cable gland E704/CD/M25	9147 200
Stopping plug M25, EExe, L-9	7947 304

TECHNICAL DATA

Material:	Acid proof stainless steel, powder coated RAL 9010 Globe : Polycarbonate lexan
Input voltage:	24 VAC/VDC, 120 VAC 50/60Hz, 230 VAC 50/60Hz
Light output:	Red: >32 Candela Green: >30 Candela
Power consumption:	Max 10W
IP-rating:	IP66
Standard cable entries:	1 x M25 stopping plug 1 x M25 cable gland
For use in zone:	Safe area
Height:	Red : 240 mm Green : 147 mm
Width:	140 mm
Length:	164 mm
Weight:	Red: 2,0 kg. Green: 1,9 kg.