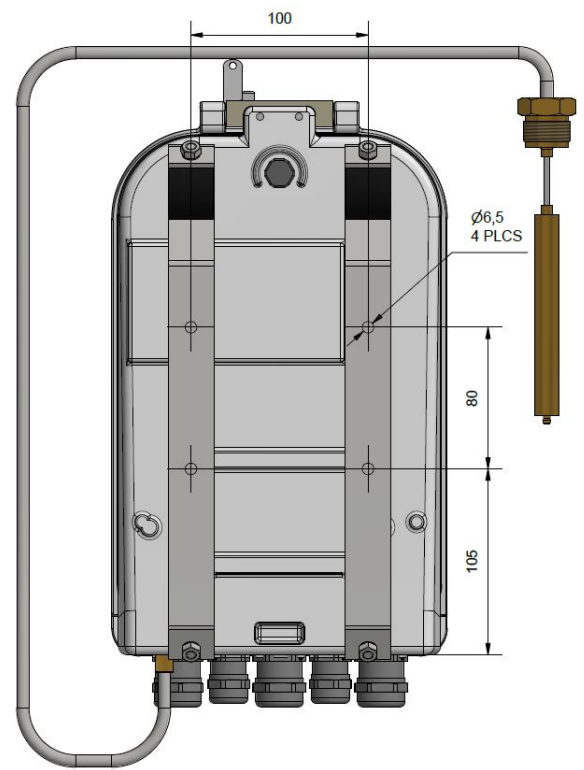
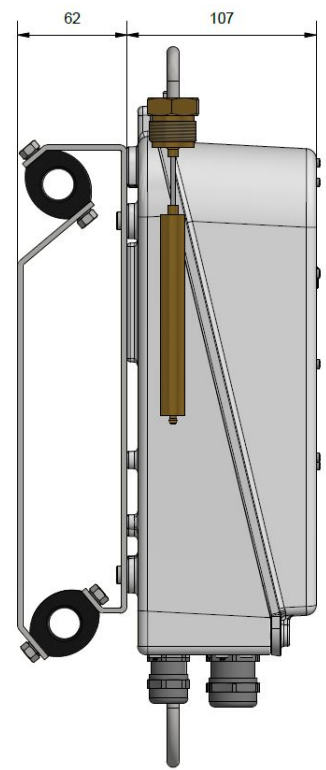
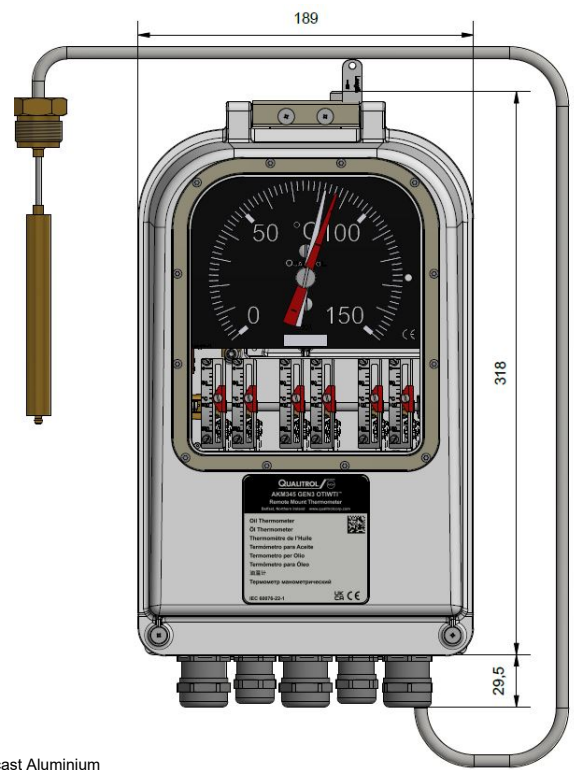
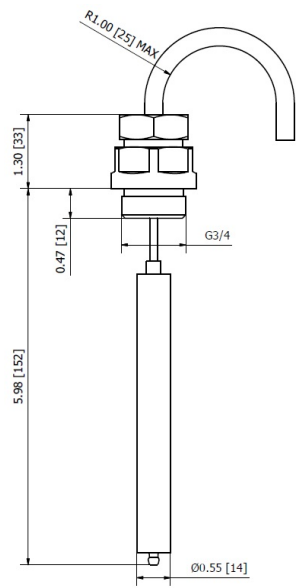


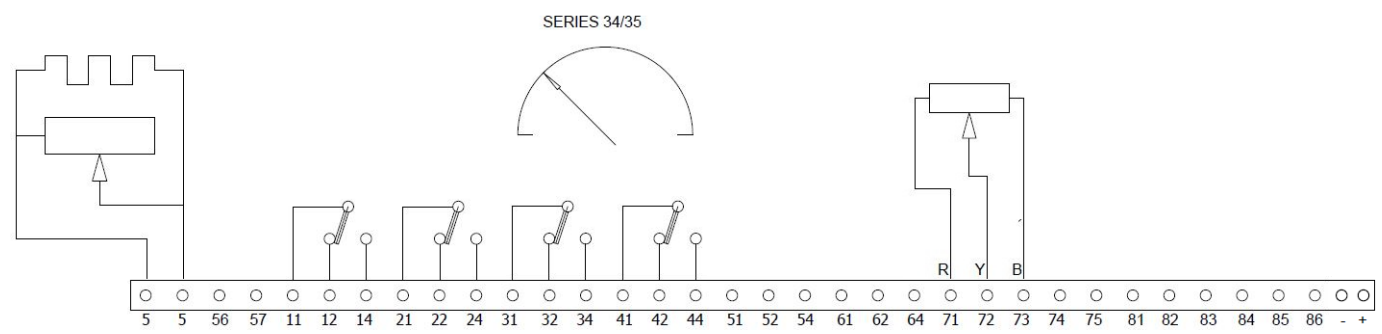
NOTICE:



Thermometer Style	35 WTI/Gen3
Number of Switches	4
Dial Range	01 = 0-150C
Probe Type	12
Capillary Length	10
Switch Type	STD SWITCH
Remote Indication	TD66 Pt100 – 3 wire
Protection Class	IP66
Case Finish	RAL7000-C5H
Captive Hardware	YES(FIXED)
Lens Material	POLYCARBONATE
Label	WTI-Gen3-Label
Mounting	SEISMIC
Matching Resistance	TD50
Measuring Accuracy	STANDARD ±2% FSD
Adjustable Differential	NONE
Switching Differential	Std-Gen3
Probe Connection	STANDARD
Capillary	STANDARD(SS)
Cable Entry	M20 & M25
Environment	Standard

Notes:

Casing: Die cast Aluminium
Insulation test: 2000V 50 Hz to earth for 60seconds.
Capillary tubing: Copper/Nickel alloy with stainless steel sheathing.
Dial colour: White text, black background.
Max pointer colour: Red
Powered remote outputs:
 a. Require 24±1.2 VDC power wired at terminals '-' & '+'.
 b. Analog remote outputs
 (i) For single 4-20mA output, wire from 71 & 72.
 (ii) For 2nd output (0-5V OR 4-20mA), wire from 71 & 74.
 Features in assembly views are for illustration only; some elements may not be representative of actual product. Customer product will conform to specification as requested.



001	22-Apr-24	-	Configured model	-	-
REV	DATE	EC No.	CHANGE DESCRIPTION	DRAWN	APP'D

QUALITROL AKM

Qualitrol Instruments
 15 Wildflower Way
 Belfast,
 Northern Ireland

Qualitrol and Qualitrol AKM are ISO 9001 system certified companies. Information subject to change without notice.
 Phone: +44 28 9022 5200
 Fax: +44 28 9022 5200

TITLE:	Winding Temperature Indicator
MODEL NO.	AKM345-00417691