

Stroke: 30mm  
 Max flow rate: 1300 L/h  
 Motors: 0,37 - 0,75 - 1,5 kW



**Plunger  
 Metering Pump  
 Positive Return**

**API 675**

*LK pump is the second size of the four "L" sizes:  
 LY-LK-LN-LP.*

*The stroke adjustment is based on OBL's unique design.*

## CONSTRUCTION CHARACTERISTICS

- OBL's metering pumps are used in several industrial plants. The "L" series ranges from the smallest capacity, 400 cc/h, to the largest, 11.000 L/h.
- All models can be built as multiple units with different sized heads.
- Each pumphead can have a different stroke rate since each has its own reduction gear.
- Power transmission through multiple units is easily achieved by a common motor-speed shaft, so the torque is lower than after the reduction gears.
- Positive displacement mechanism with mechanical return of the plunger, based on OBL's unique design.
- Smooth flowrate adjustment by control knob, either with pump in motion or stationary.
- 1% repeatability of flowrate within 10% and 100% of maximum capacity.
- Low NPSH requirement: as low as 1,5m in recommended installation conditions.

### TECHNICAL DATA

TIPO TYPE	STROKES/m	FLOW RATE L/h	MAX PRESS.BAR				CONNECTIONS	
			AISI 316L		PVC		DN	ANSI
			0,37 kW	0,75 kW	0,37 kW	0,75 kW		
LK10	60	6					15	1/2"
	80	8						
	100	10	80	100	10	10		
	120	13						
LK15	60	15	80				15	1/2"
	80	20						
	100	25	100	100	10	10		
	120	30	75					
LK20	60	30	80				15	1/2"
	80	38						
	100	48	100	100	10	10		
	120	58	45					
LK25	60	47	60	80			15	1/2"
	80	62	50	80				
	100	78	35	70	10	10		
	120	93	30	60				
LK30	60	70	40	70			20	3/4"
	80	90	32	70				
	100	110	25	52	10	10		
	120	135	20	43				
LK40	60	128	20	40			20	3/4"
	80	165	20	40				
	100	210	15	30	10	10		
	120	250	12	25				
LK50	60	200	15	27	10		25	1"
	80	265	13	27	10			
	100	330	9	18	9	10		
	120	400	7	15	7			
LK65	60	340	7	16	7	10	25	1"
	80	450	6	16	6	10		
	100	550	4	12	4	10		
	120	665	3	9	3	9		
LK80	60	510		10		10	40	ANSI 316: 1" 1/2 PVC: 2"
	80	700		8,5		8,5		
	100	850	-	7	-	7		
	120	1000		6		6		
LK100	60	800		6		6	40	
	80	1050	-	4,5	-	4,5		
	100	1300		4		4		

## PUMP HEADS

The standard construction, up to 93 L/h, has duplex ball valves; higher flowrates have single valves.

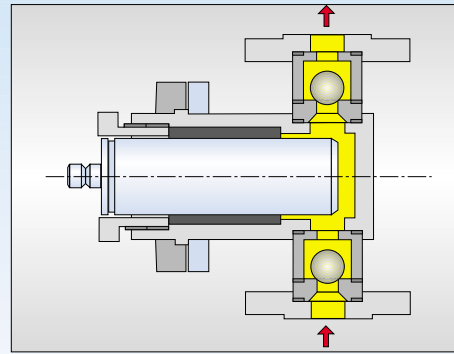
- Materials of construction for wetted parts are:

- **Construction A:** AISI 316L
- **Construction P:** PVC-Ceramic - PTFE

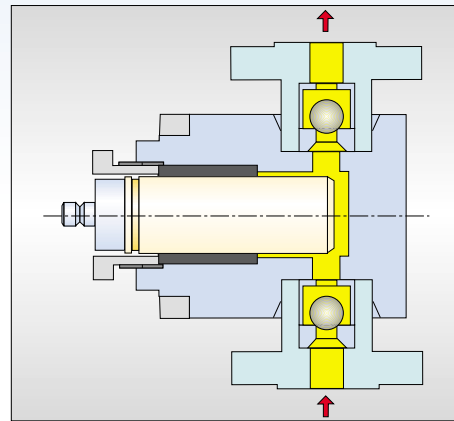
Pumps in other materials such as Hastelloy, other alloys, PVDF etc., can be supplied on demand.

- Plunger packing is of reinforced Teflon chevron rings.
- Suction and discharge connections are flanged.

- **Max. temperature of handled liquid:**
  - with standard stainless steel heads: 120 °C
  - with special stainless steel heads: 300 °C
  - with stainless steel heads and ceramic plunger: 100 °C
  - with PVC head: 40 °C
  - with PVDF head: 70 °C

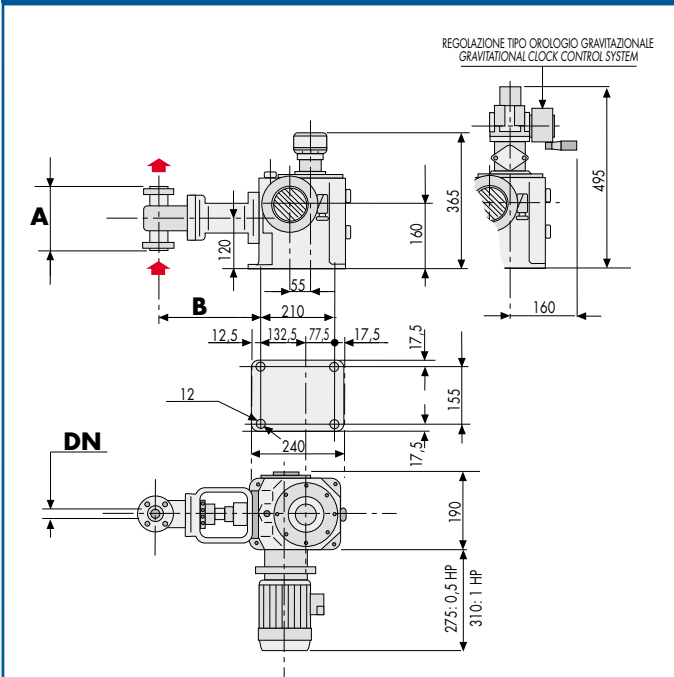


Stainless steel head "A" execution flanged connections.



PVC head, "P" execution, flanged connections.

## OVERALL DIMENSIONS

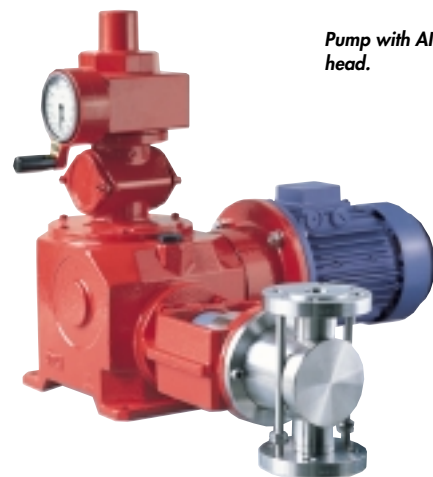


TYPE	AISI 316L				PVC			DN UNI 2223/29		ANSI B 16,5	
	A	Adv	B	BTL	A	Adv	B	AISI: PN40	PVC: PN10	AISI 150RF	PVC: 150RF
LK 10	-	165	242	275	-	180	232	15	15	1/2"	1/2"
LK 15	-	165	242	275	-	180	232	15	15	1/2"	1/2"
LK 20	-	165	242	275	-	180	232	15	15	1/2"	1/2"
LK 25	-	165	242	275	-	180	232	15	15	1/2"	1/2"
LK 30	148	208	242	275	208	-	232	20	20	3/4"	3/4"
LK 40	148	228	242	275	208	-	232	20	20	3/4"	3/4"
LK 50	175	264	247	275	228	-	237	25	25	1"	1"
LK 65	198	268	247	260	228	-	237	25	25	1"	1"
LK 80	245	399	245	260	308	-	247	40	40	1 1/2"	2"
LK 100	269	409	247	-	335	-	247	40	40	1 1/2"	2"

## MODEL NUMBER

KEY TO SYMBOLS	
PUMP TYPE	
Ø	PLUNGER
A	AISI-316L VERSION
P	PVC VERSION
STROKES PER MINUTE	
Z...	ELECTRIC ACTUATOR 4÷20 mA
W	3÷1.5 PSI PNEUMATIC ACTUATOR
F	UNI-DIN FLANGED CONNECTIONS
FA	ANSI FLANGED CONNECTIONS
...	= 0 ÷ 10 BAR VERSION (NO NEED OF MODEL NO.)
TL	= 10 ÷ 40 BAR
TN	= 40 ÷ 100 BAR

**LK 30 A 60 TL FA Z....**



Pump with AISI 316L pump head.

## MATERIALS OF CONSTRUCTION

PARTS	A	P	AC	ACV	H
LIQUID END	AISI 316L	PVC	AISI 316L	AISI 316L	AISI 316L
PLUNGER	AISI 316L	CERAMIC	CERAMIC	CERAMIC	CERAMIC
PACKING	TEFLON/PTFE	TEFLON/PTFE	TEFLON/PTFE	VULKOLLAN POLYURETHAN	TEFLON/PTFE
VALVE SEAT	AISI 316L	PVC	INCOLOY 825	AISI 316L	AISI 316L
VALVE	AISI 316L	PIREX	PIREX	AISI 316L	AISI 316L
VALVE SEAL	VITON/FPM	VITON/FPM	VITON/FPM	VITON/FPM	VITON/FPM