

WORKING LENGHT (STRECHED)
ARBEITSLAENGE (GESTRECKT)
LONGEUR DE TRAVAIL (CONNECTE)
LUNGHEZZA DI LAVARO (STESO)

300mm±25mm

VOLTAGE RANGE
SPANNUNGSBEREICH:
GAMME DE TENSION
CAMPO DI TENSIONE

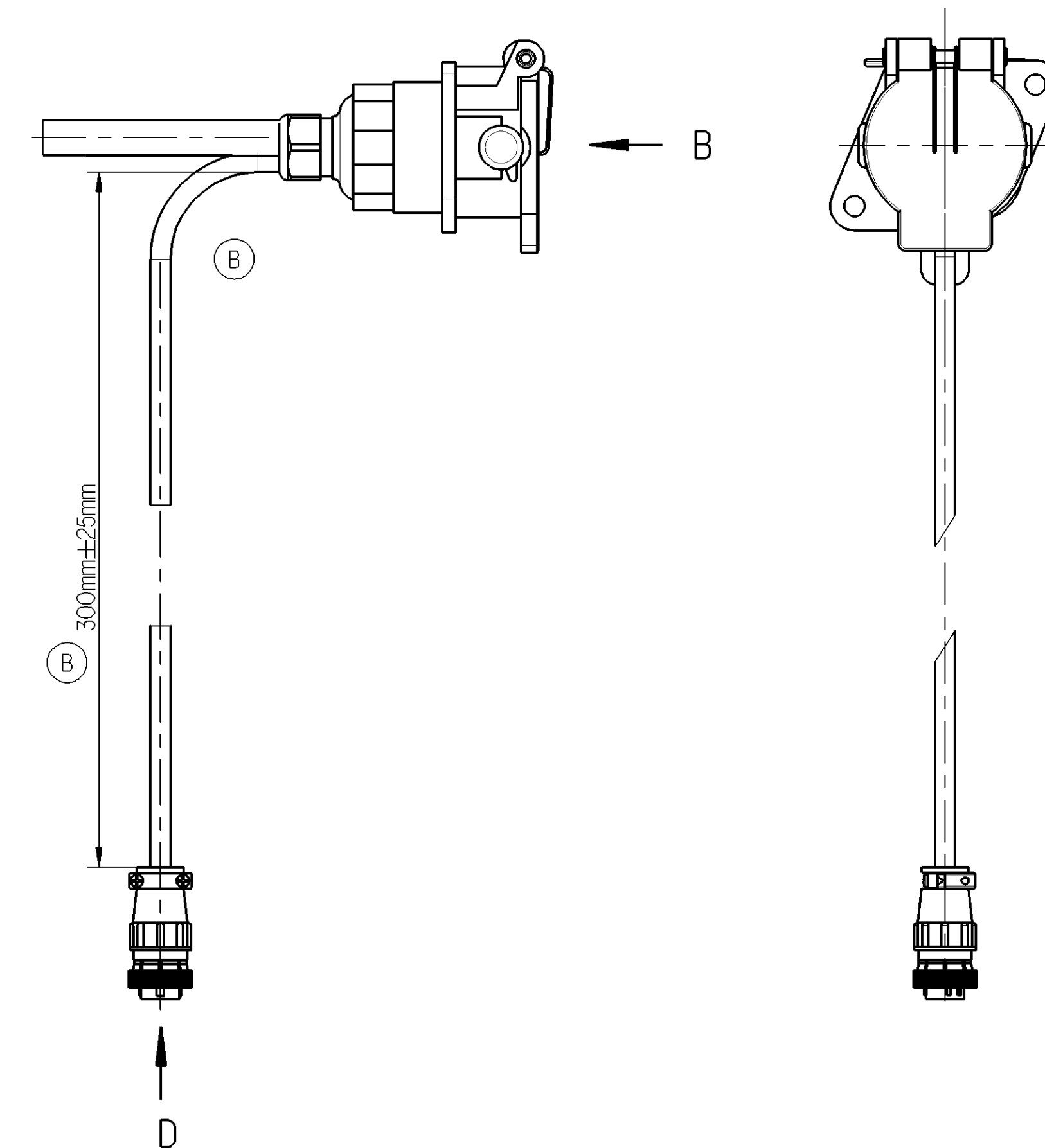
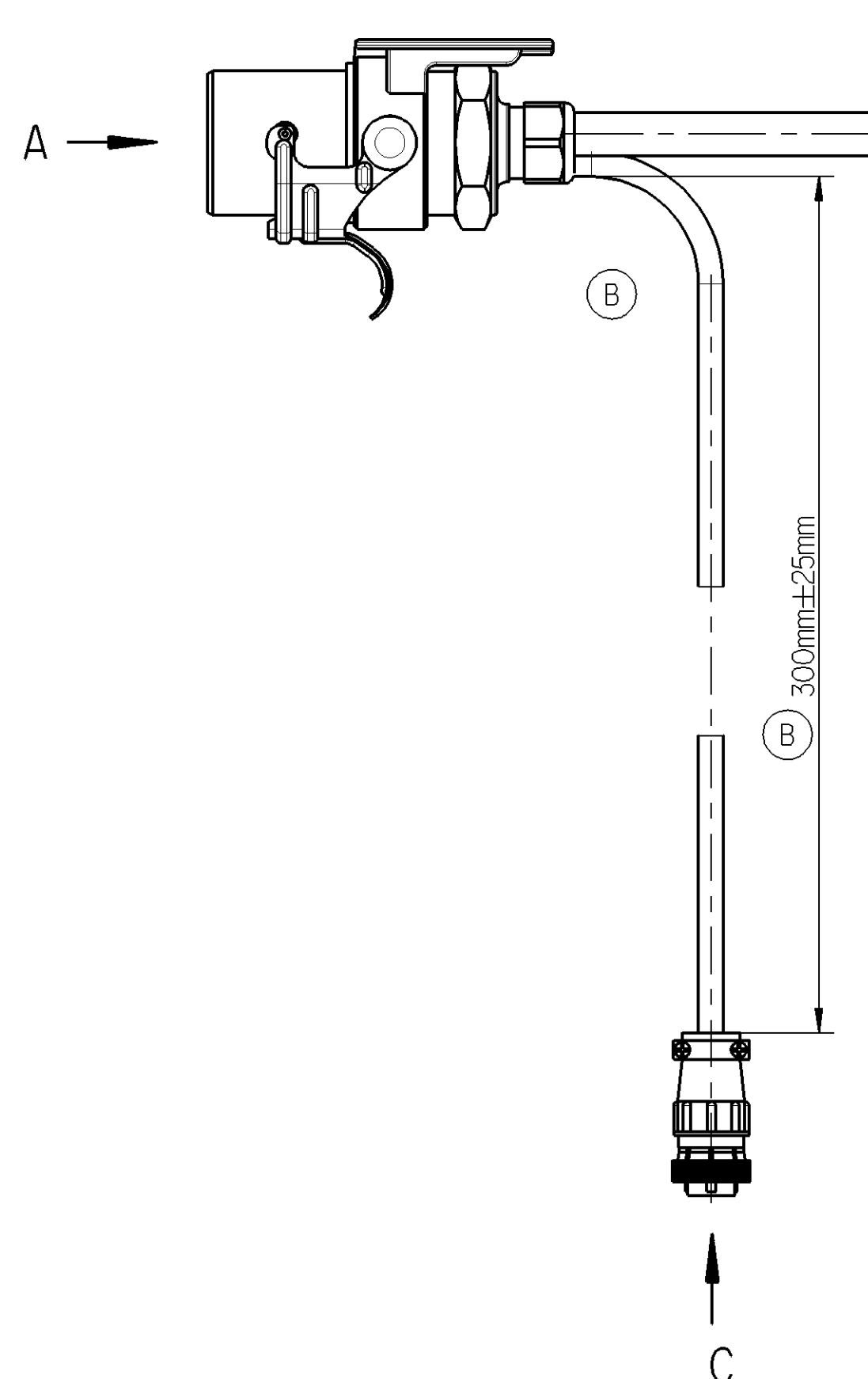
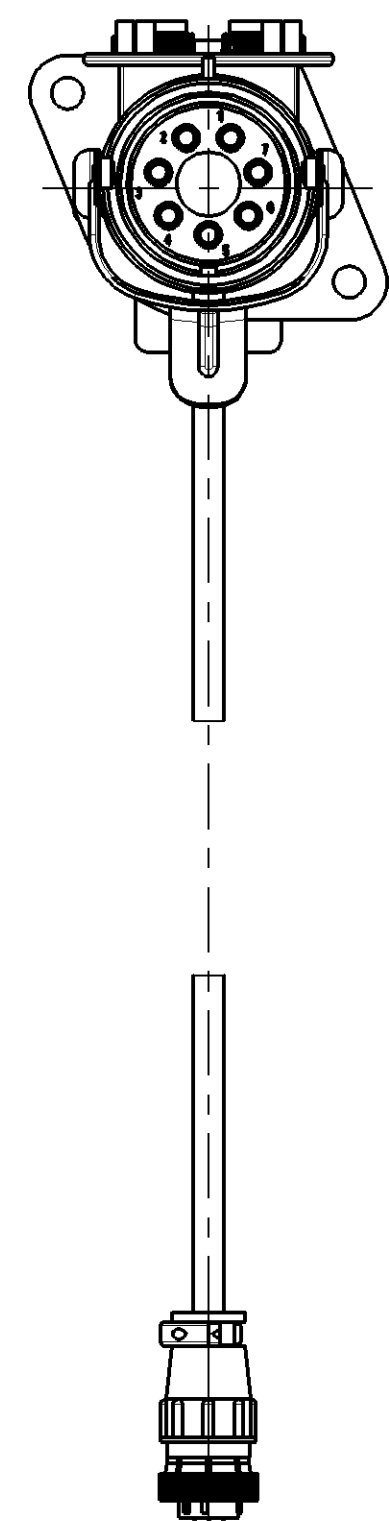
0.....32 V

TERMAL RANGE OF APPLICATION
THERMISCHER ANWENDUNGSBEREICH:
GAMME D' APPLICATION THERMIQUE
CAMPO DI APPLICAZIONE THERMICA

-40° C.....+70° C

TYPE OF PROTECTION
SCHUTZART:
MODE DE PROTECTION
TIPO DI PROTEZIONE

IP 20



CHAMBER IN: A KAMMER IN: A CHAMBRE EN: A CAMERA IN: A	CONTACT : A KONTAKT : A CONTACT : A CONTATTO : A	WIRE COLOUR ADERFARBE FIL COLOUR FILO COLORE	CROSS SECTION QUERSCHNITT SECTION DE TRANSVERSALE SEZIONE TRASVERSALE	SIGNAL	CHAMBER IN: B KAMMER IN: B CHAMBRE EN: B CAMERA IN: B	CONTACT : B KONTAKT : B CONTACT : B CONTATTO : B	CHAMBER IN: C KAMMER IN: C CHAMBRE EN: C CAMERA IN: C	WIRE COLOUR ADERFARBE FIL COLOUR FILO COLORE	CHAMBER IN: D KAMMER IN: D CHAMBRE EN: D CAMERA IN: D	CONTACT : C + D KONTAKT : C + D CONTACT : C + D CONTATTO : C + D	REMARK BEMERKUNG REMARQUE NOTA
1	894 070 781 4	ROT	4 mm ²	KL. 30	1	894 070 780 4	1	ROT	1	894 510 519 4	
2	446 008 315 4	WEISS/ROT	1.5 mm ²	KL. 15	2	446 008 310 4					
3	446 008 315 4	BRAUN/BLAU	1.5 mm ²	GND 15	3	446 008 310 4	2	BRAUN	2	894 510 519 4	BRUECKE ZU PIN 4 IN 1.5 mm ²
4	894 070 781 4	BRAUN	4 mm ²	GND 30	4	894 070 780 4					BRUECKE ZU PIN 3 IN 1.5 mm ²
5	446 008 315 4	GELB/BLAU	1.5 mm ²	Wa-La	5	446 008 310 4					
6	446 008 315 4		1.5 mm ²	CAN-H	6	446 008 310 4	5	GELB	5	894 510 519 4	
7	446 008 315 4		1.5 mm ²	CAN-L	7	446 008 310 4	4	GRUEN	4	894 510 519 4	

General Specifications: JED-334-0 - Size ISO 14405-1 E		Copyright WABCO®	
Further Technical Data:		Date	Signature
Doc. Code	Sheet	2013-06-18	Nerling
General Tolerances JED-261		Checked	Ellert
Range of Nominal Dimensions (± mm)		Expert Ellert	
Class 1)	< 50	> 50 < 180	> 180 < 400
Fine	± 0.1	± 0.15	± 0.2
Medium	± 0.2	± 0.3	± 0.4
Coarse	± 0.3	± 0.5	± 0.6
Tapped Holes acc. -		Material No.	
1) Tolerance Class Applied Crossmarked		446 300 360 0	
		Date of first issue	2006-04-03
		Doc.Code	Language
		005	ML
		Sheet	1/1
		Replacement for	
		6983_S	