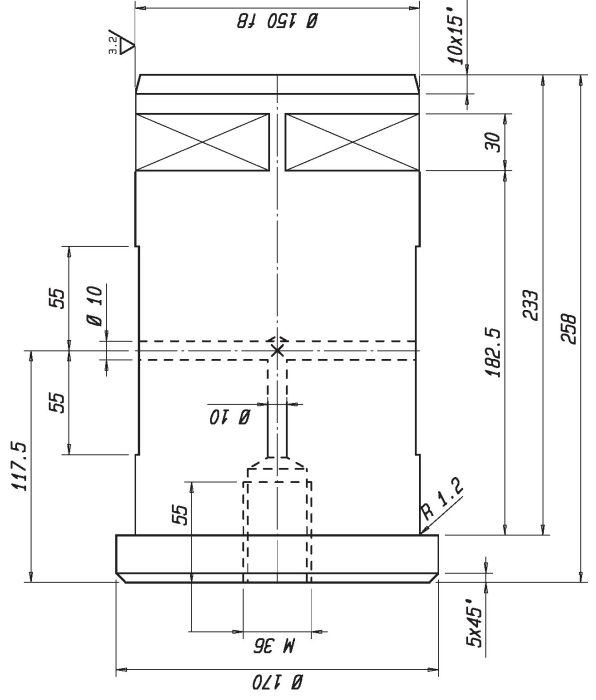
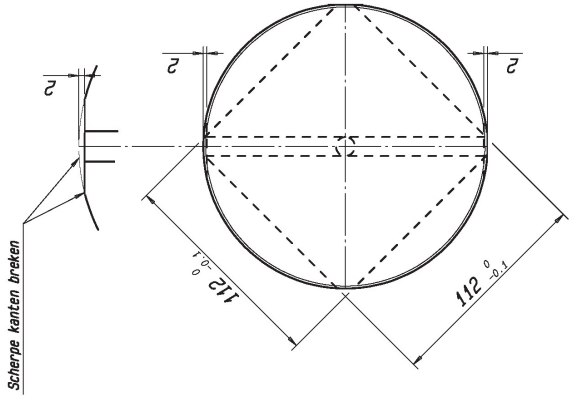


6.3/ (3.2/)
 42CrMo4V



150 f8
 = 0.043
 = 0.106

Diam. 150 induction hardened
 Hardness 52-57 HRC
 Depth of hardening Rht 475 = 5 mm
 acc. DTN 50190 Part 2.

STEEL STRUCTURE:
 SHARP EDGES TO
 BE ROUNDED
 APPROVAL OF NEMAG B.V.



SCALE
 1/2

DESIGNATION OF HEAT-TREATMENT ACC. NEN 2804
 - SYMBOLIC REPRESENTATION OF MELOS ACC. NEN-ISO 2523
 - SURFACE ROUGHNESS ACC. NEN 3834
 - LIMITS AND FITS ACC. NEN-ISO 286-1/2
 - GEOMETRICAL TOLERANCING ACC. NEN-ISO 1101



TITLE
 Pin for lower arm
 ARTICLE CODE
 PENHRC-150-258

REV	DISCUSSION	DATE	MG
A	First release	03-12-2009	
REV	STGN	REV	A