

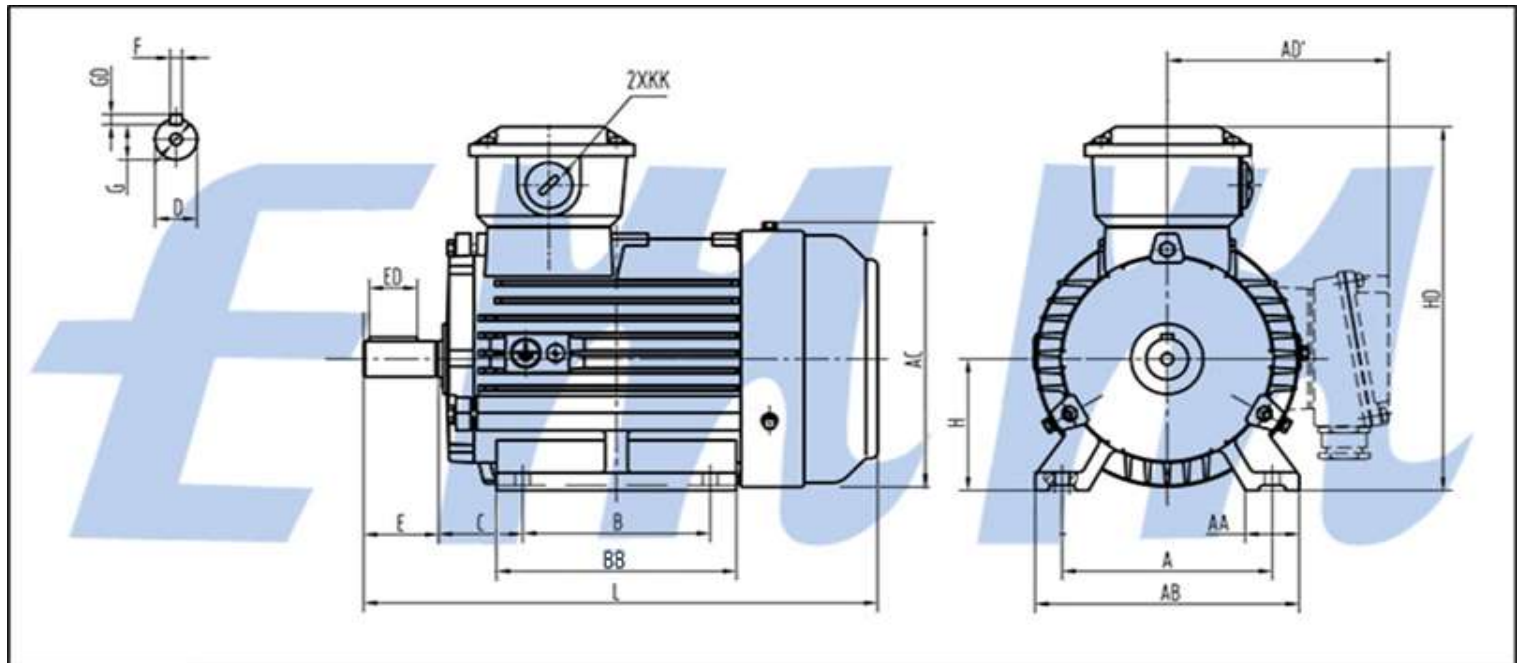


Elektrim TECHTOP

Elektrim Techtot Motors Pte Ltd
 subsidiary of Elektrim Motors & Machinery Pte Ltd

EM 160M-6 TEFC (IE 1)

Frequency	60
Pole	6
Output (KW)	7.50
Output (HP)	10
Speed (RPM)	1152
FLC 440V (A)	16.36
FLC 460V (A)	15.65
FLC 480V (A)	17.25
Efficiency 100%	84.7
Power Factor 100%	0.71
Nominal Torque	62.17
Locked Rotor Torque	2.8
Breakdown Torque	3.0
Moment of Inertia	0.08726
Noise LwdB(A)	73
Weight (kg)	112



Mounting Type: B3

A	AB	AC	AD	B	BB	C	K	D	E	F	G	H	HD	KK	L
254	316	Φ313	244	210	262	108	Φ15	Φ42	110	12	37	160	404	2-M32X1.5	605

*All dimensions in mm