



WAT Motor
Sanayi ve Ticaret A.Ş.

Three Phase Squirrel Cage Induction Motor



Motor Type: Q3N100L4D40

Electrical Data

RATED VALUES						STARTING VALUES			BREAKDOWN	EFFICIENCY			EFFICIENCY CLASS	
VOLTAGE	POWER		SPEED	CURRENT	TORQUE	Cos Φ	CURRENT		TORQUE	TORQUE	%			IEC 60034-30-1
V	kW	Hz	rpm	A	Nm	4/4	I_A / I_N	M_A / M_N	Mk/ Mn	Nm	4/4	3/4	2/4	IE
230/400	3,0	50	1445	11,4/6,6	19,80	0,76	8,0 Y D	3,3 Y D	3,9		IE3-87,7%	87,10%	84,90%	IE3

Mechanical Data

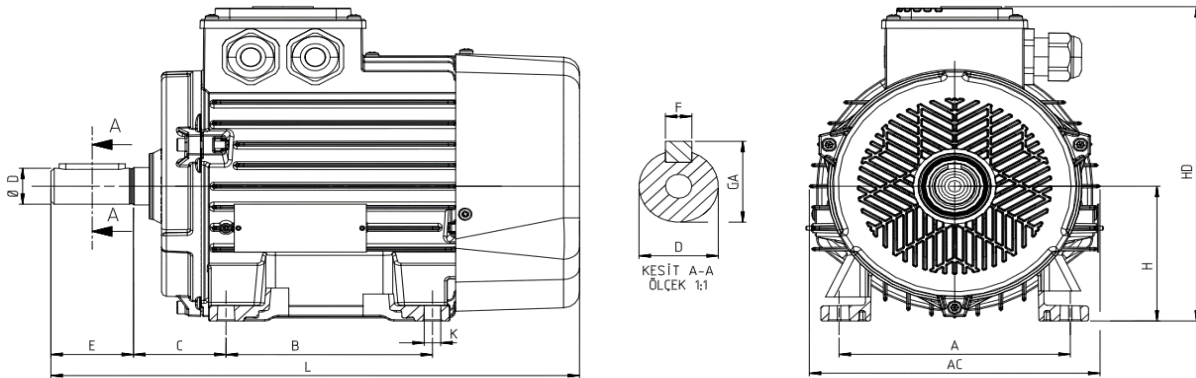
Bearing DE	6206-ZZ	Color	RAL 7031
Bearing NDE	6206-ZZ	Motor protection	PTC
Lubricants	Shell Gadus S2 V100Q 2	Method of cooling	IC 411
Condensation drain hole	No	Terminal box position	Top
External earthing terminal	Yes	Material of terminal box	Aluminium
Vibration class	A	Terminal plate thread	M4
Insulation class	F	Cable gland	1xM25
Duty type	S1	Clamping range	13-18 mm
Direction of rotation	Clockwise	Mounting type	IM 1001 (B3)
Housing material	Aluminium		
Type of balancing	Half Key		

Environmental Data

Others

Ambient temperature	-20 / +40 °C	Type of protection	IP 56
Altitude above sea level	1000 m	Sound pressure level	dBA 51
		Moment of inertia (kg.m ²)	0,0084732
		Standard	IEC 60034-1
		Weight (kg)	24

Dimensions



Main Dimensions		Foot Mounted Motors						Shaft			Flange Mounted Motors				
AC	L	B	A	H	HD	K	C	D	E	GA	F	P	N	M	R
196	370	140	160	100	230,5	12	63	28	60	31	8	-	-	-	-