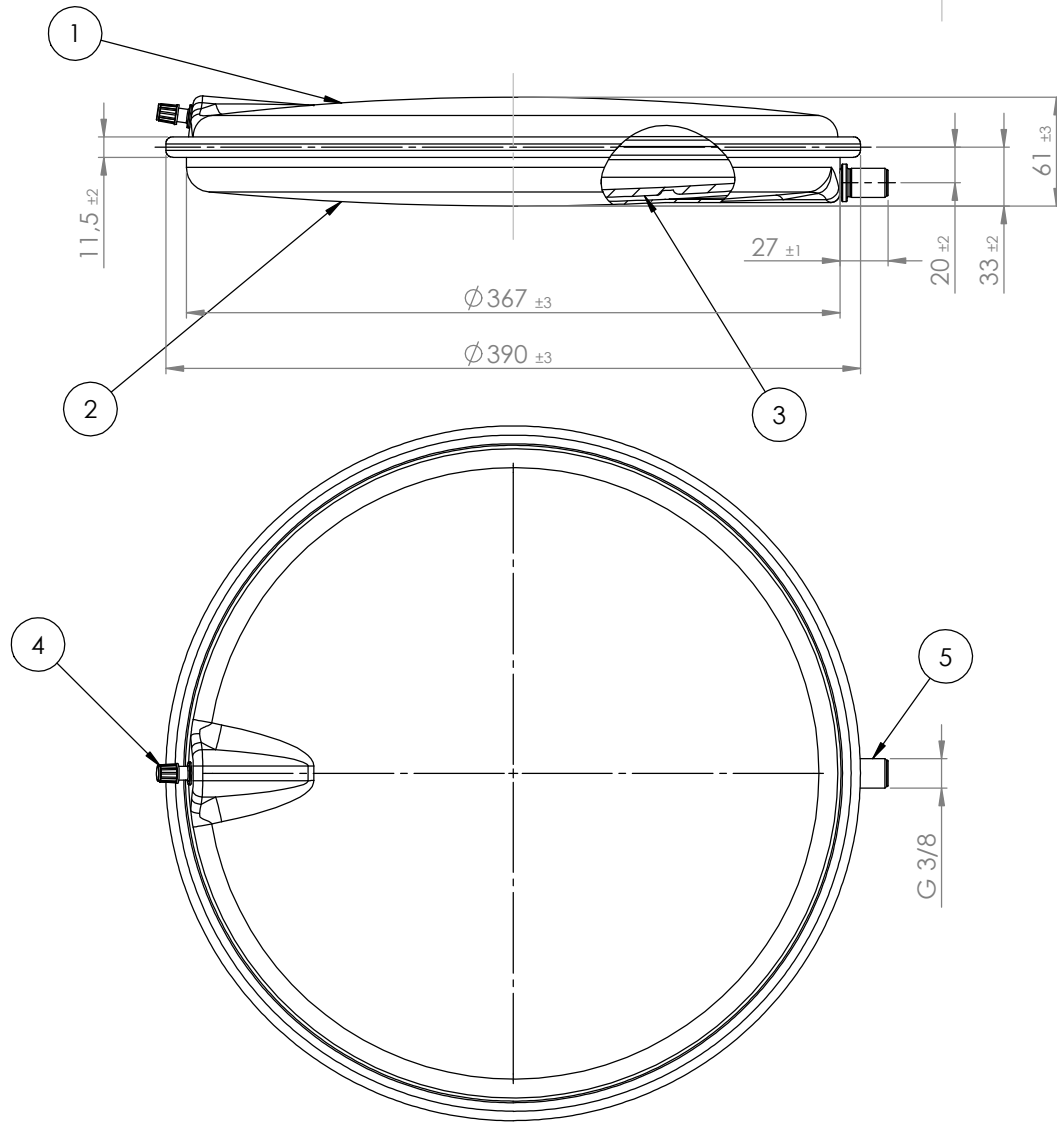


Max operating pressure: 3 bar
 Max operating temperature: 90 °C
 Factory precharge*: 1 +/-20% bar
 Nominal volume: 6 litres
 Colour: Silver



DRAWING FOR APPROVAL
 PLEASE RETURN THIS DRAWING WITH YOUR COMPANY STAMP, SIGNATURE AND DATE. AFTER YOUR APPROVAL WE WILL BE PROCEEDING WITH SUPPLIES AND PRODUCTION.

1	UPPER HEAD	1
2	DOWNER HEAD	1
3	MEMBRANE	1
4	PRECHARGE VALVE	1
5	THREADED NOZZLE	1
6	SELF-ADHESIVE LABEL	1
7	-	-
Pos.	Denomination	Q.ty

Revisioni		
Rev.	Descrizione	Data
01	REDESIGNED WITH S.W. AND CHANGED THE CONNECTION (2411); SPOT WELDED ZINKED THREADED NOZZLE	17/12/12
02	CHANGED THE EXTERNAL DIAMETER 390 (WAS 392)	08/07/2014

GITRAL®		DRAWING N°	SCALE	MATERIAL	Dimensions in mm
ZI DE BOURNAT F63190 ORLEAT		VPC-C	1:3	see table	
*Tolerance variation bigger/lower than 20% do not compromise the expansion vessel functioning					
DRAWN	DATE	SIGNATURE	CODE		
--	08/07/2014		13C0000614		
CHECKED	DATE	SIGNATURE	This drawing is the property of company GITRAL S. A. All rights reserved.		
--	08/07/2014		A3		
APPROVED	DATE	SIGNATURE			
Chervin	08/07/2014				