



### Description & Features:

- 4" dial
- Silicone fillable stainless steel gauge
- Independently adjustable electrical contacts
- Bottom connection
- Restricted orifice standard
- ±1% accuracy
- Electrical contacts rated up to 1 amp at 220-380 Vac
- Contact settings adjustable with fitted key (included)
- ASME B40.100 compliant (EN837-1 available)
- CRN registered
- 5 year warranty

### Applications:

- Commercial and industrial applications where electrical switching is required with local indication
- Pump and compressor controls
- Hydraulic and pneumatic industries

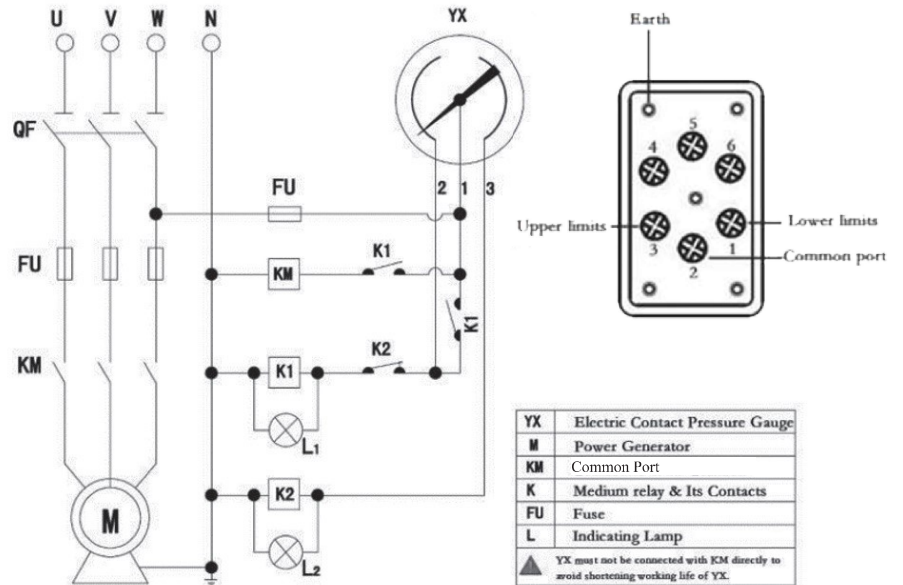
### Specifications

Specifications	
Case Size	4" (100mm)
Case	304 SS
Lens	Polycarbonate
Socket	316 SS
Connection	1/2" NPT (other connection sizes available)
Bourdon Tube	316 SS
Movement	304 SS
Pointer	Aluminum, painted black, n.o contact pointer (painted orange) n.c contact pointer (painted blue)
Welding	Laser welded case to socket
Over-pressure Limit	25% for pressures up to 1,450 psi (9,998 kPa), 15% for pressures over 1,450 psi (9,998 kPa)
Fill Plug	Buna N (silicone rubber option)
Lens Ring Gasket	Silicone rubber
Working Pressure	Maximum 75% of full scale value
Ambient/Process Temperature	Dry: -40°F to 250°F (-40°C to 120°C) Glycerin Filled: -4°F to 150°F (-20°C to 65°C)
Accuracy	±1%
Enclosure Rating	IP65
Electrical Connection	Plastic connection box with terminal block (Hirschmann-type)
Contact Rating	0.7 - 1 amp; 220 - 380 Vac (snap action contact)
No. of Contacts	1 or 2 SPST, independently adjustable 2 - contact of high (upper limit) and/or low (lower limit)

### Order Codes

Dial Size	4" (100mm)
Connection	1/2" Bottom
30" Hg Vac/kPa	PEC0200
0/15 psi/kPa	PEC0201
0/30 psi/kPa	PEC0202
0/60 psi/kPa	PEC0203
0/100 psi/kPa	PEC0204
0/160 psi/kPa	PEC0205
0/200 psi/kPa	PEC0206
0/300 psi/kPa	PEC0207
0/400 psi/kPa	PEC0208
0/600 psi/kPa	PEC0209
0/1,000 psi/kPa	PEC0210
0/1,500 psi/kPa	PEC0211
0/2,000 psi/kPa	PEC0212
0/3,000 psi/kPa	PEC0213
0/5,000 psi/kPa	PEC0214
0/6,000 psi/kPa	PEC0215
0/10,000 psi/kPa	PEC0216
30"/0/30 psi/kPa	PEC0230
30"/0/60 psi/kPa	PEC0231
30"/0/100 psi/kPa	PEC0232
30"/0/160 psi/kPa	PEC0233
30"/0/200 psi/kPa	PEC0234
30"/0/300 psi/kPa	PEC0235

### Wiring Diagram



Other ranges and connection sizes available upon request. For scale change, refer to How to Order Guide for scale codes.

**For options, attach suffix to end of order code: i.e. PEC0210-SG-4 for SAFETY GLASS LENS**

#### Option suffix:

EN = EN837-1 compliant

SF4 = 4" (100mm) Silicone filled

SG-4 = 4" (100mm) Safety glass lens

