

# XP60I PRESSURE SWITCH



0414

SUITABLE FOR HOT WATER, STEAM AND AGGRESSIVE MEDIA

- **Body Material:**  
Stainless Steel AISI 304  
Stainless Steel AISI 316
- **Housing:**  
Technopolymer (PET)
- **Ambient Temperature:**  
-10~ +50C
- **Media Temperature:**  
-10~ +125C
- **Burst Pressure:**  
=30Bar
- **Switch Options:**  
SPDT 10 (2) - 250 VAC  
SPST NO / NC 10 (2) - 250 VAC
- **Electrical Connection:**  
Terminal 6.3 x 0.8
- **Thermal Drift:**  
0.04 bar / 10C to datum 20C
- **Protection:**  
IP45 with Cap A0158100.020



Factory calibrated set points are available on request.

| Pressure Connection Inches | Part Number  | Adjustable Pressure Range Bar | Fixed Differential Bar | Electrical Data | Weight GM |
|----------------------------|--------------|-------------------------------|------------------------|-----------------|-----------|
| G 1/8 M                    | XP83AE61.000 | 0.2 - 1.2                     | 0.30 ± 0.15            | 10A x 250 V     | 80        |
| G 1/8 M                    | XP83CE61.000 | 1.0 - 2.5                     | 0.30 ± 0.15            | 10A x 250 V     | 80        |
| G 1/8 M                    | XP83DE61.000 | 1.5 - 4.0                     | 0.35 ± 0.15            | 10A x 250 V     | 80        |
| G 1/8 M                    | XP83EE61.000 | 2.0 - 6.0                     | 0.35 ± 0.20            | 10A x 250 V     | 80        |
| G 1/8 M                    | XP83FE61.000 | 4.0 - 9.0                     | 0.50 ± 0.20            | 10A x 250 V     | 80        |
| G 1/8 M                    | XP83GE61.000 | 9.0 - 15.0                    | 0.70 ± 0.30            | 10A x 250 V     | 80        |

### OPTIONS:

|                             |                      |
|-----------------------------|----------------------|
| <b>Process Connections</b>  | G 1/4 & 1/4 NPT Male |
| <b>IP45 Protection Boot</b> | REF: A0158100.020    |

### V-Flow Solutions Ltd.

12 Railton Road, Woburn Road Industrial Estate, Kempston, Bedford, MK42 7PW

Tel: 01234 855888 Fax: 01234 857775

Email: sales@v-flowsolutions.co.uk Web: www.v-flowsolutions.co.uk

# XP60I PRESSURE SWITCH

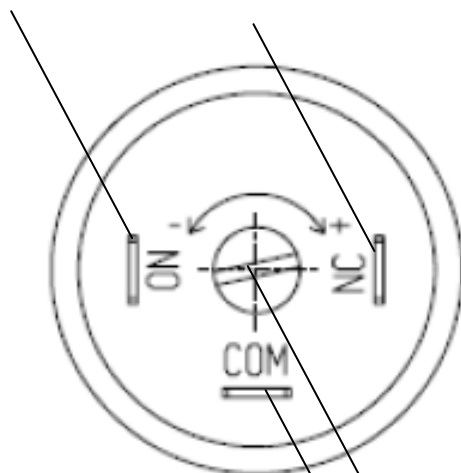


## Electrical Connections

## XP60I

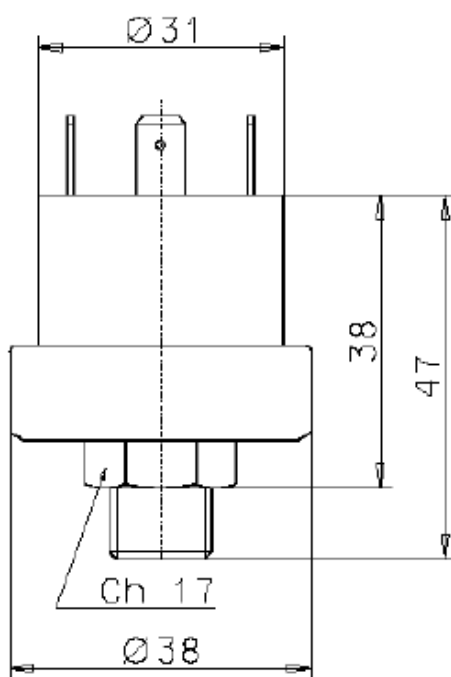
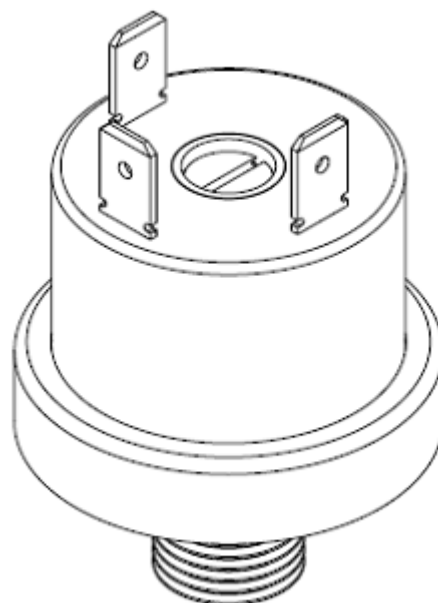
NORMALLY OPEN

NORMALLY CLOSED



SWITCH POINT ADJUSTMENT

COMMON



Homologations: EN60730-1, EN60730-2-6, UL/CSA File E157180



Information on this document is subject to change without prior no-