

WINKEL-Rollen | WINKEL Bearings

WINKEL-Rolle Axialrolle fest

Nachschmierbarkeit für Rollen 4.054 - 4.063

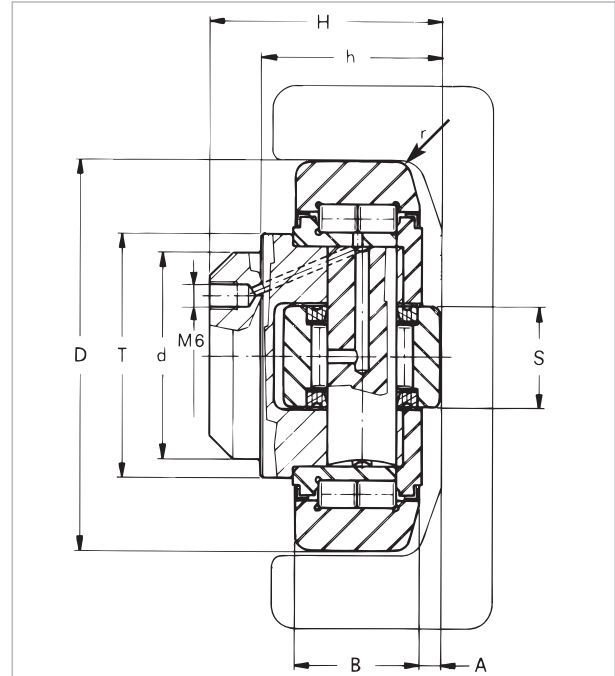
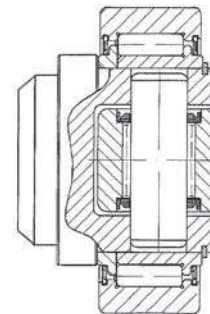



Abdichtung 2 RS/ZRS | Sealings 2 RS/ZRS

 CAD Download in 2D/3D unter www.winkel.de

 CAD download in 2D/3D at www.winkel.de
WINKEL Bearing axial bearing fixed

Relubrication only for types 4.054 - 4.063


 nur 4.053
only 4.053


Nachschmiersysteme für WINKEL-Rollen
 Lubrication systems for WINKEL bearings
 (Seite/page 144)

Typ Type	Artikel-Nr. Article no.	D mm D mm	T mm T mm	d -0.05 mm d -0.05 mm	H mm H mm	h mm h mm	B mm B mm	A mm A mm	S mm S mm	r mm r mm
4.053	200.024.000	52,5	40	30	33,0	27,0	17	5,0	15	2
4.054	200.001.000	62,5	42	30	37,5	30,5	20	2,5	20	3
4.055	200.002.000	70,1	48	35	44,0	36,0	23	2,5	22	4
4.056	200.003.000	77,7	54	40	48,0	36,5	23	3,0	26	4
4.057	200.004.002	77,7	53	40	40,0	29,0	23	3,0	26	4
4.058	200.005.000	88,4	59	45	57,0	44,0	30	3,5	26	3
4.059	200.006.000	101,2	67	50	46,0	33,0	28	3,0	30	3
4.060	200.007.000	107,7	71	55	53,0	39,0	31	3,0	34	5
4.061	200.008.000	107,7	71	60	69,0	55,0	31	4,0	34	5
4.062	200.009.000	123,0	80	60	72,3	56,0	37	5,0	40	5
4.063	200.010.000	149,0	103	60	78,5	58,5	45	5,5	50	3

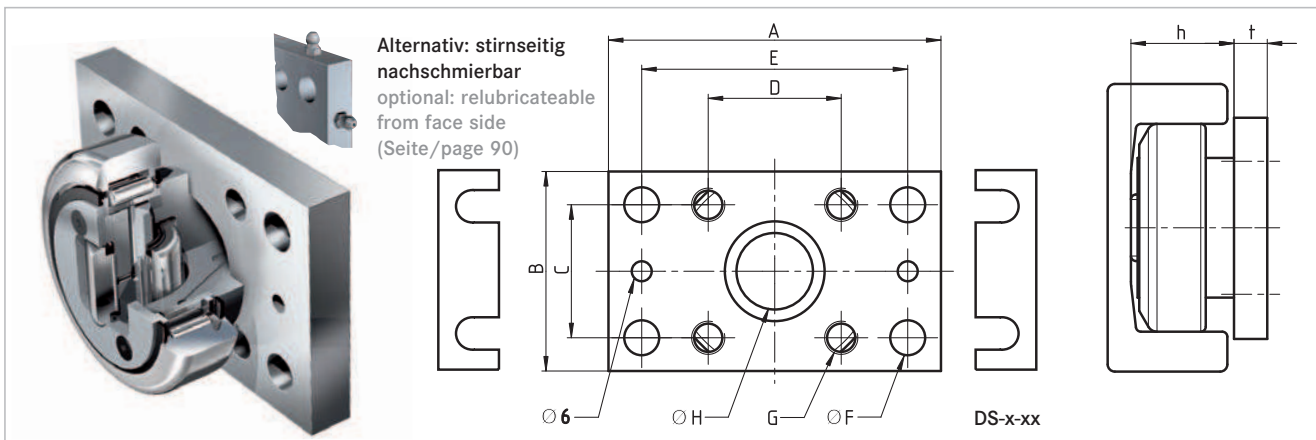
C = Dyn. Tragzahl Radiallager (ISO 281/1), C_0 = Stat. Tragzahl Radiallager (ISO 76),
 C_A = Dyn. Tragzahl Axiallager (ISO 281/1), C_{0A} = Stat. Tragzahl Axiallager (ISO 76),
 F_R = Tragzahl Radiallager zulässige Belastung zwischen Rolle und Profil,
 F_A = Tragzahl Axiallager zulässige Belastung zwischen Rolle und Profil

WINKEL-Rollen | WINKEL Bearings



Passende Anschraubplatten

Suitable flange plates

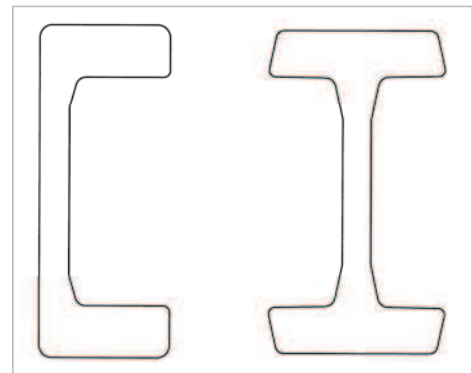
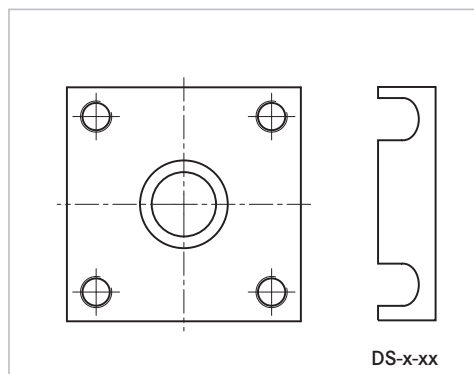


Typ Type	Artikel-Nr. Article no.	A	B	C	D	E	Ø F	G	Ø H	t	Distanzsteckblech t=0,5mm Washer t=0.5mm		Distanzsteckblech t=1,0mm Washer t=1.0mm	
											DS-S-0,5	238.025.000	DS-S-1,0	238.025.001
AP S	212.014.000	90	50	30	40	70	8,5	M8	30	10	DS-S-0,5	238.025.000	DS-S-1,0	238.025.001
AP 0	212.003.000	100	60	40	40	80	10,5	M10	30	10	DS-0-0,5	238.020.000	DS-0-1,0	238.020.001
AP 1	212.004.000	120	80	50	50	90	12,5	M12	35	15	DS-1-0,5	238.021.000	DS-1-1,0	238.021.001
AP 2	212.005.000	120	80	50	50	90	12,5	M12	40	15	DS-2-0,5	238.021.000	DS-2-1,0	238.021.001
AP 3.1	212.006.001	160	100	60	60	120	17,0	M16	45	20	DS-3.1-0,5	238.105.000	DS-3.1-1,0	238.105.001
AP 4	212.007.001	180	120	80	80	140	17,0	M16	60	20	DS-4-0,5	238.023.000	DS-4-1,0	238.023.001
AP 6	212.008.000	200	150	100	100	160	17,0	M16	60	20	DS-6-0,5	238.024.000	DS-6-1,0	238.024.001

Abstreifer Seite 94
Wiper page 94

Anschraubplatten quadratisch Reihe AP-Q S. 96
Flange plates square series AP-Q page 96

Profile Seite 68 / 76
Profiles page 68 / 76



Typ Type	F _R kN F _R kN	F _A kN F _A kN	C kN C kN	C _o kN C _o kN	C _A kN C _A kN	C _{oA} kN C _{oA} kN	u/min max. r/pm max.	Gewicht kg Weight kg	Anschraubplatten Flange plates	Profile Standard Profiles standard
4.053	5,23	1,68	24,0	32,0	7	7	800	0,46	APS APS-Q	S
4.054	10,30	3,20	31,0	35,5	11	11	900	0,53	AP0 AP0-Q	0 NbV
4.055	12,40	3,87	45,5	51,0	13	14	900	0,80	AP1 AP1-Q	1 NbV / 3018 NbV
4.056	12,90	4,00	48,0	56,8	18	18	800	1,00	AP2 AP2-Q	2 NbV
4.057	12,90	4,00	48,0	56,8	18	18	800	0,87	-	3019 NbV
4.058	22,40	7,00	68,0	72,0	23	23	750	1,62	AP3.1 AP3-Q	3 NbV / 3020 NbV
4.059	22,00	7,00	73,0	82,0	25	27	700	1,74	-	2912 NbV
4.060	23,80	7,44	81,0	95,0	31	36	650	2,27	-	3100 NbV
4.061	23,80	7,44	81,0	95,0	31	36	650	2,82	AP4 AP4-Q	4 NbV
4.062	33,90 (26,00)	10,60	110,0	132,0	43	50	550	3,89	AP4 AP4-Q	5 NbV (3353 NbV)
4.063	59,20	18,50	151,0	192,0	68	71	450	6,52	AP6 AP6-Q	6 NbV

C = Dynamic load capacity radial bearing (ISO 281/1), C_o = Static load capacity radial bearing (ISO 76),
 C_A = Dynamic load capacity axial bearing (ISO 281/1), C_{oA} = Static load capacity axial bearing (ISO 76),
 F_R = Load capacity radial bearing max. allowable force between bearing and profile,
 F_A = Load capacity axial bearing max. allowable force between bearing and profile