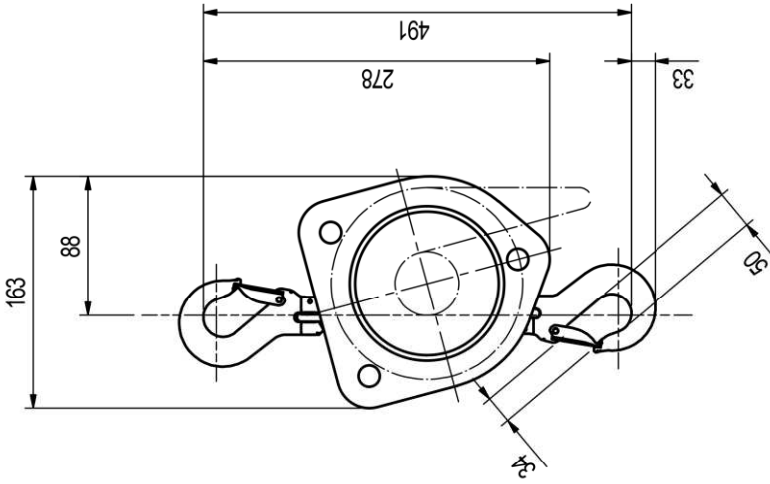
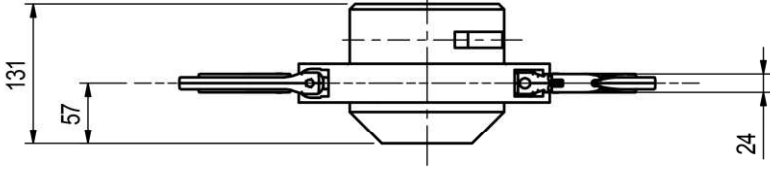
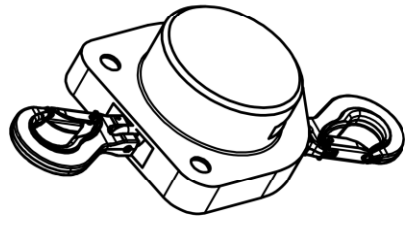


Index	Description of Modification	Date	Name



Manual Chain Hoist

Vendor: HADEF
Type: 8/98
Load: 2000kg
Stroke: min. 3m
Lift at 30m Hand Chain: 435mm
Hand Chain pull: 35daN
Chain: EN 818-7-T

Standard Workshop Instructions 9800.4	ISO 128		Section	Weight 13.6 KG	Main Scale 1 : 5	Format A3
Hoist			Replaced by	-		
			Released	24.04.2013 C603		
			Approved	13.03.2013 U268		
			Drawn	21.02.2013 U268		
Document No.				Version		
10'046'206				-		
Sheet: 1 of 1						
Material No.				551094		