

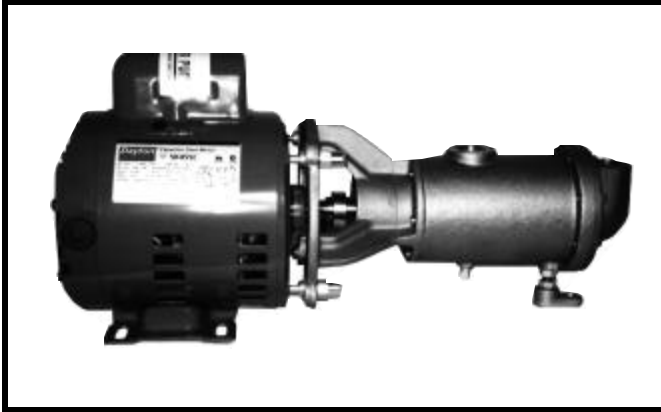


OBERDORFER

HELICAL ROTOR PUMP BRONZE OR ALUMINUM

MODEL
101
101B

PIPE SIZE 3/4



FEATURES

- g All Bronze or Corrosion Resistant Aluminum Construction
- g Easily Mounted in Field to your own 56 Frame Motor & 56C for explosion-proof motors
- g Carbon Face Mechanical Seal
- g Quiet Running
- g Can Handle Contaminated Liquids
- g Buna Stator and Stainless Steel Rotor

Pump No.	Motor	Material
101 J25	1/2 H.P. 115V 1 Phase	Aluminum
101 M07	3/4 H.P. 115V 1 Phase	Aluminum
101B J25	1/2 H.P. 115V 1 Phase	Bronze
101B M07	3/4 H.P. 115V 1 Phase	Bronze
101	None (Pump Only)	Aluminum
101B	None (Pump Only)	Bronze

ELECTRIC MOTOR MOUNTING

This pump is supplied close coupled to electric motor or as a pump alone complete with attaching parts and instructions for mounting. Any 56 frame electric motor with 5/8 inch shaft diameter, 1725 R.P.M. and of horsepower rating as listed above can be used. The motor can be rigid or resilient mounted, sleeve or ball bearings, 50°C rise, capacitor start, counter-clockwise, rotation from shaft end.

CHARACTERISTICS

The turning of the helical shaped rotor within the stationary stator creates a progressive cavity similar to a moving piston. Liquid is thus displaced generating a pumping action. Unlike

piston pumping, extremely high pressure cannot be created because the stator is made of Buna N and is flexible. Because of this flexibility contaminated liquids can be handled.

Close fit of the rotor within the stator permits lifting of liquid on the suction side as high as 20 ft. High starting torque motors are recommended in order to overcome the high starting friction of the stator. The pump is relatively quiet.

ROTATION

This helical rotor design demands a single rotation - clockwise when facing the pump drive shaft. Pump rotation and "in" and "out" ports are indicated on the dimension diagrams on reverse side.

MATERIALS OF CONSTRUCTION

These pump housings and mounting brackets are made from cast aluminum or bronze alloy. The rotor is made from stainless steel with a hard chrome plate for improved wear properties. The stator is made from molded Buna N. The mechanical seal is a carbon and ceramic mechanical rotary face type for positive sealing.

LIQUIDS

The corrosion resistant alloys used are compatible with common liquids including water, water solutions, oils and many commercial chemicals. Severe solvents are not compatible with the Buna and should not be pumped.

CAPACITY - WATER 60° F

Pressure P.S.I.	0	10	20	30	40	50	60	70	80	90	100
Flow G.P.M. (Water)	8 1/2	8	7 1/2	7	6 1/2	6	5 1/2	5	4 1/4	3 3/4	3 1/4
Electric Motor H.P.	1/2	1/2	1/2	1/2	1/2	1/2	1/2	1/2	3/4	3/4	3/4

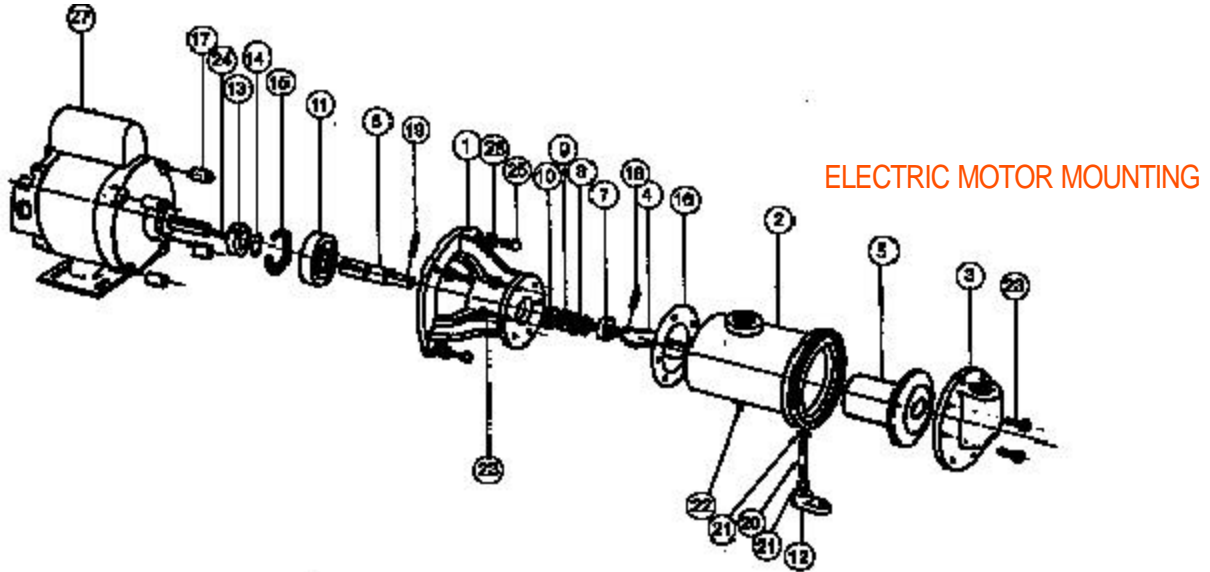
MODEL
101
101B

OBERDORFER

HELICAL ROTOR PUMP BRONZE OR ALUMINUM



PARTS LIST

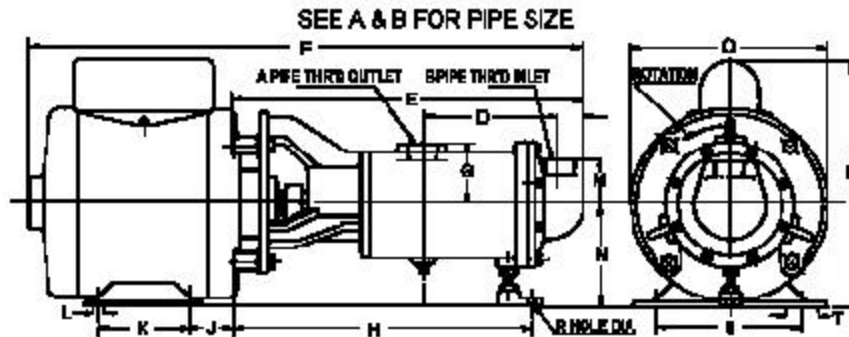


Pump No.	1	2	3	4*	5*	6	7	8-9-10*	11	12	13	14	15	16*	17	18*	19*
	Adapter Bracket	Body	Cover	Rotor	Stator	Drive Shaft	Universal Joint	Seal Assem.	Ball Bearing	Foot	Collar	Retaining Ring	Retaining Ring	Gasket	Spacer	Pin	Pin
	1 Req'd	1 Req'd	1 Req'd	1 Req'd	1 Req'd	1 Req'd	1 Req'd	1 Req'd	1 Req'd	1 Req'd	1 Req'd	1 Req'd	1 Req'd	1 Req'd	4 Req'd	1 Req'd	1 Req'd
101 J25	5871	5873	5872	5890	5891	5875	5874	32156	5884	5881	5886	5885	6053	5882	5911	5888	5889
101 M07	5871	5873	5872	5890	5891	5875	5874	32156	5884	5881	5886	5885	6053	5882	5911	5888	5889
101B J25	7213	6897	6896	5890	5891	5875	5874	32156	5884	5881	5886	5885	6053	5882	5911	5888	5889
101B M07	7213	6897	6896	5890	5891	5875	5874	32156	5884	5881	5886	5885	6053	5882	5911	5888	5889

* Repair Kit No. 10737 includes these parts.

20	21	22	23	24	25	26	27
Stud	Nut	Plug	Screw	Key	Screw	Washer	Motor
1 Req'd	2 Req'd	1 Req'd	14 Req'd	1 Req'd	4 Req'd	4 Req'd	4 Req'd
5887	5597	5908	5897	5912	5916	5915	5918
5887	5597	5908	5897	5912	5916	5915	5913
5887	5597	5395	5897	5912	5916	5915	5918
5887	5597	5395	5897	5912	5916	5915	5913

DIMENSIONS



Pump No.	C	D	E	F	G	H	J	K	L	M	N	O	P	R	S	T
101 J25	13/16	4 9/16	11 7/8	18 1/2	2 1/16	10 7/32	1 1/16	3	11/32	1 9/16	3 1/2	6 1/2	8 9/16	11/32	4 7/8	1 3/16
101B J25																