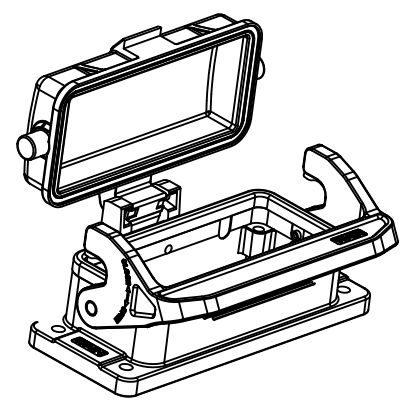
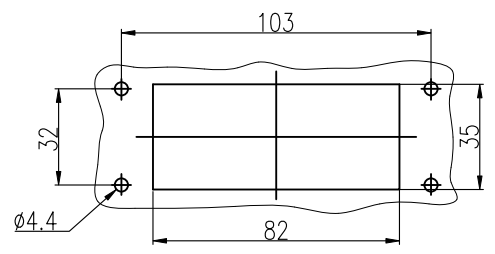
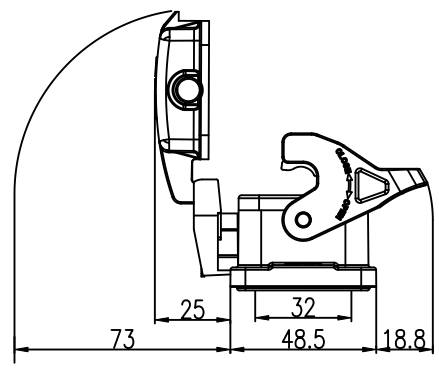
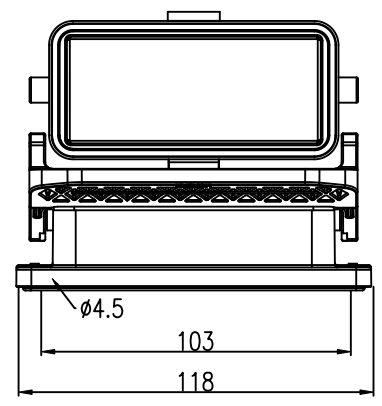


Date	Filing Clerk
------	--------------



						Finish		-		Drawing No.		1111163288002	
						Material				Part Code		HB.16.AGDM-LB	
Mark		Number		Description		Signature		Date		Part No.		1111163288002	
		Name		Date		Name		Date		Part Name		-	
Drawn		M.V.		22.11.2017		Stand.		-		Scale		2:3	
Checked		M.L.		22.11.2017						REV.		V1.0	
Process		-		-		Approved		MAH		22.11.2017		Weight	
										Qty.		-	
										All Dimensions in mm		ISK/AIS GmbH	
										Original Size DIN A 4			