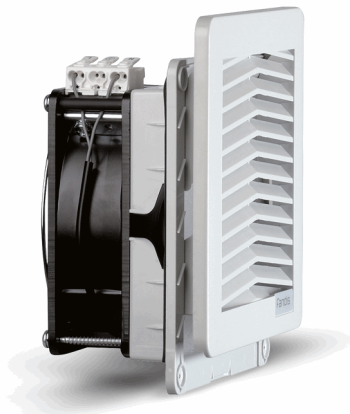


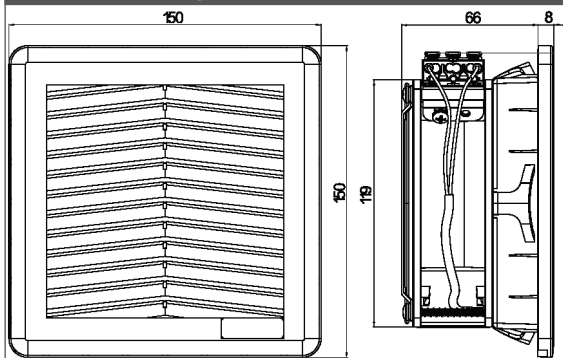
"FF12AF" SERIES FAN FILTERS

Description: Fan Filter 115/230 Va.c.

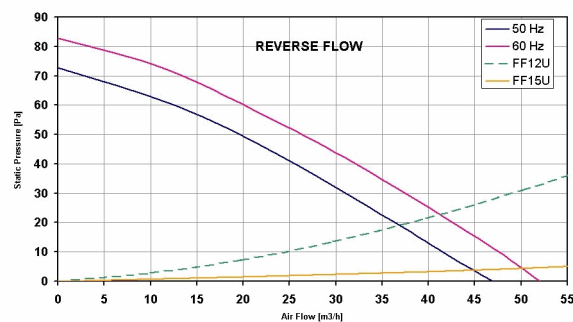
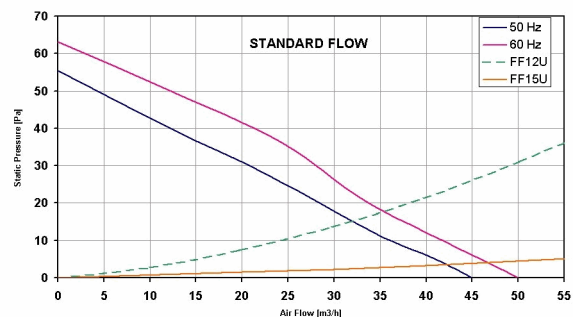
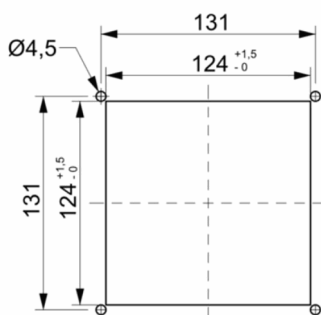


- Type of material:** PC/ABS Alloy, PA 66 GF13 HSL for elastic clips
- Standard color:** RAL 7035, other colors on request
- Protection degree:** IP54, according to EN 60529 Std
Type 12 according to UL 508 Std
- Fixing system:** by elastic clips
- Plate thickness:** from 1.3 mm to 3.2 mm
- Storage temperature:** from -40°C to +70°C
- Motor Lifetime L10 at 25°C:** 57,000 h
- Motor protection:** impedance
- Electrical connection:** by screwless terminal block 3 poles L-N-PE,
2.5 mm² (20 - 14 AWG)
- Earth connection:** by PE pole
- Appliance class:** class I
- Type of filter media:** thermo-linked progressive structure synthetic fibre
- Filtering class:** class G3, according to EN 779
- Degree of separation:** 85% - DIN 24185
- Dust retention capacity:** 600 g/m²
- Note:** filter media is washable about 10 times
- Weight:** 0.8 Kg
- Approvals:** CE; UL E237844; CSA

technical drawing (standard flow)



mounting cut-out



Model	Voltage	Frequency	Rated Current	Rated Power	Max Air Flow**	Static Pressure	Fan Noise	Rated Temp. Range	Approvals
	(V)	(Hz)	(A)	(W)	(m ³ /h)	(Pa)	[db(A)]	(°C)	
FF12A115UF	115 V a.c.	50/60	0.200/0.180	16/15	45/50	55/62	46.0/49.0	-10 ÷ +55	CE; cURus; cCSAus
FF12A115UFR	115 V a.c.	50/60	0.200/0.180	16/15	47/52	72/82	46.0/49.0	-10 ÷ +55	CE; cURus; cCSAus
FF12A230UF	230 V a.c.	50/60	0.110/0.100	18/17	45/50	55/62	49.0/49.0	-10 ÷ +55	CE; cURus; cCSAus
FF12A230UFR	230 V a.c.	50/60	0.110/0.100	18/17	47/52	72/82	48.0/54.0	-10 ÷ +55	CE; cURus; cCSAus

data with uncertainty of 15%

All specifications, data and drawing are subject to change without notice. Please refer to our terms of sales including our warranty and limited liabilities clauses.