

DO NOT SCALE

IF IN DOUBT ASK

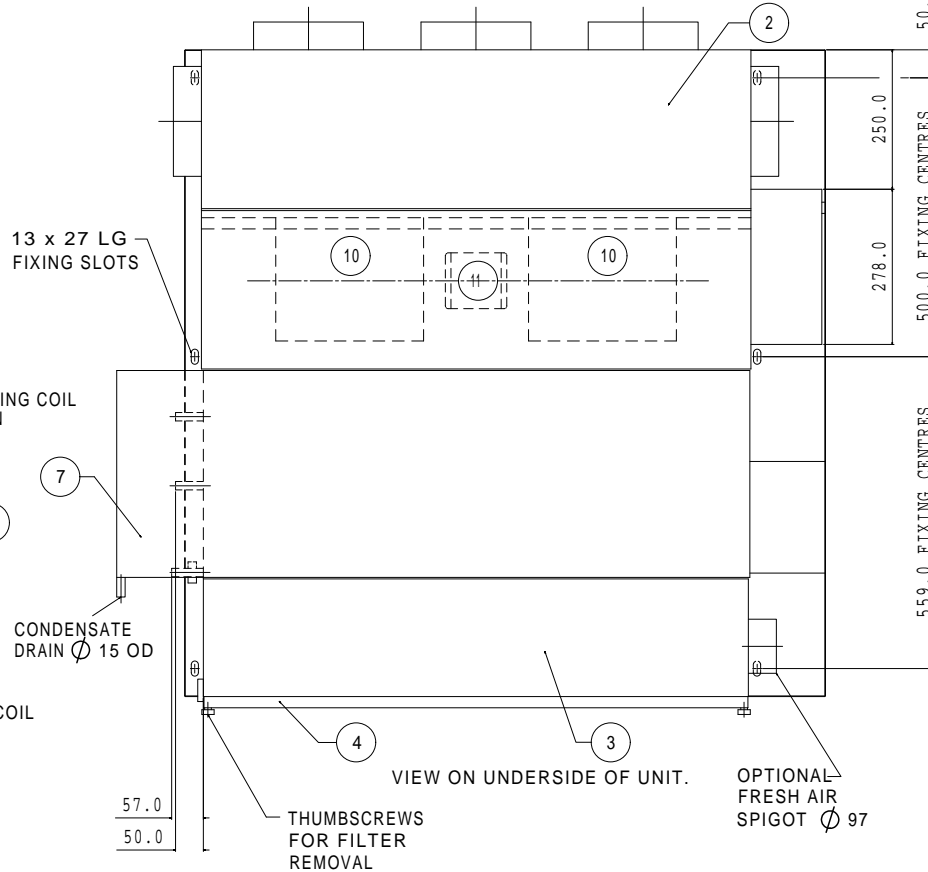
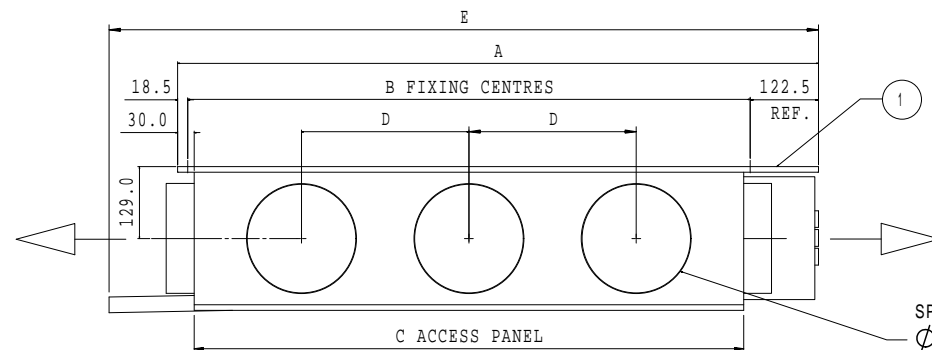
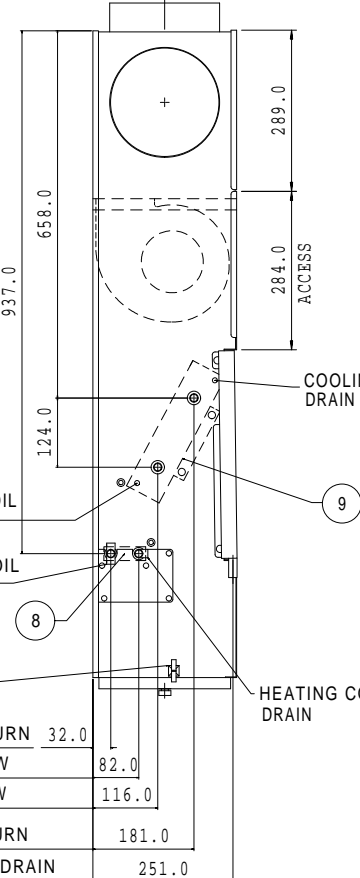
UNIT	A	B	C	D	E	SPIGOTS (No OFF)
6	774	633	610	250	897	4
9	994	853	830	260-260	1117	5
12	1149	1008	985	300-300	1272	5
13	1327	1186	1163	350-350	1450	5
15	1574	1433	1410	325-325-325	1697	6

ITEM	DESCRIPTION
1	REAR PANEL
2	DISCHARGE PLENUM
3	INLET PLENUM
4	FILTER
5	CONTROL BOX
6	FAN ACCESS PANEL
7	DRIP TRAY
8	HEATING COIL
9	COOLING COIL
10	FAN
11	FAN MOTOR
12	DAMPER ACTUATOR PROTECTIVE COVER

OPTIONAL RETURN AIR SENSOR POSITION (OPPOSITE SIDE OF UNIT TO FRESH AIR SPIGOT IF FITTED)

HEATING RETURN	32.0
HEATING FLOW	82.0
COOLING FLOW	116.0
COOLING RETURN	181.0
CONDENSATE DRAIN	251.0

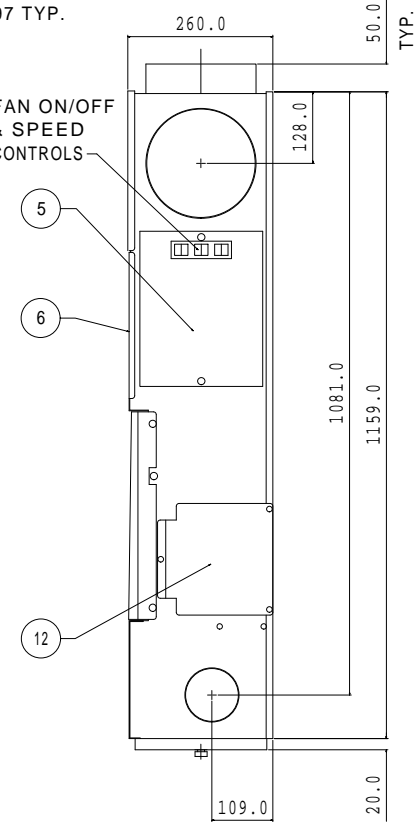
DIRECTION OF AIRFLOW



© COPYRIGHT RESERVED DIFFUSION

NOTES:

- ACOUSTIC LINED UNIT AS STANDARD.
- COIL CONNECTIONS ϕ 15 OD.
- LEFT HAND UNIT AS DRAWN, RIGHT HAND OPPOSITE HAND.
- GENERAL TOLERANCE ON OVERALL DIMENSIONS +/- 4mm.

SPIGOTS
197 TYP.FAN ON/OFF
& SPEED
CONTROLS

OPTIONS:

- INLET SPIGOT WITH FILTER (NOT SHOWN).
- CONDENSATE PUMP (NOT SHOWN).
- ELECTRIC HEATING ELEMENTS (NOT SHOWN).
- FRESH AIR INLET SPIGOT ϕ 97.
- ASPIRATOR TUBE (NOT SHOWN).

REV.	MOD.NO.	DATE	DRN	CHKD	DRAWING TO B.S. 308:PARTS 1,2 AND 3. WELDING TERMS AND SYMBOLS TO B.S. 499:PART 2.	DRAWING SCALE: 1:1 (FOR SOME SIZES SEE TABLE).	PRINT SCALE: N.T.S.	DRAWN MW	DATE 29-1-98	CHECKED RH	DATE 29-1-98	APP'D PRG	DATE 29-1-98	DRG.NO.	TITLE SALES LITERATURE GA. HIGHLINE AIRSIDE RANGE H260-I-AH-6,9,12,13,15-CH-LH
11	COMPANY DETAILS REVISED	16-11-17	JD												
MODIFICATION					GEOMETRIC TOLERANCE SYMBOLS		MAT'L		FINISH						
10	MIN. MOD. (1C)	24-03-10	MW		CHARACTERISTIC	SYM	CHARACTERISTIC	SYM	ALL DIMENSIONS IN MM THIRD ANGLE PROJECTION						
9	ECR 3096	26-08-04	ANR		Straightness	—	Angularity	∠	TOLERANCES UNLESS OTHERWISE STATED						
8	ECR 2351	05-12-00	ANR		Flatness	∥	Run out	⊥	DIMENSIONAL \pm 0,5						
7	REQ 2094	16-08-00	PNC		Roundness	○	Position	⊕	ANGULAR \pm 1°						
6	ECR 2029	27-09-99	ANR		Cylindricity	∩	Concentricity	⊙							
5	ECR 1898	26-03-99	ANR	RH	Profile of a line	∩	Symmetry	≡							
4	ECR 1764	3-9-98	ANR	MW	Profile of a surface	∩	M.M.C.	⊖							
3	ECR1723	21-7-98	MW		Parallelism	∥	Squareness	⊥							
2	ECR1710	9-6-98	MW												
1	REQ 1252	29-1-98	MW												

DIFFUSION

47 Central Avenue, West Molesey, Surrey, KT8 2QZ
Telephone 020-8783-0033. Fax 020-8783-0140

A4/312 008