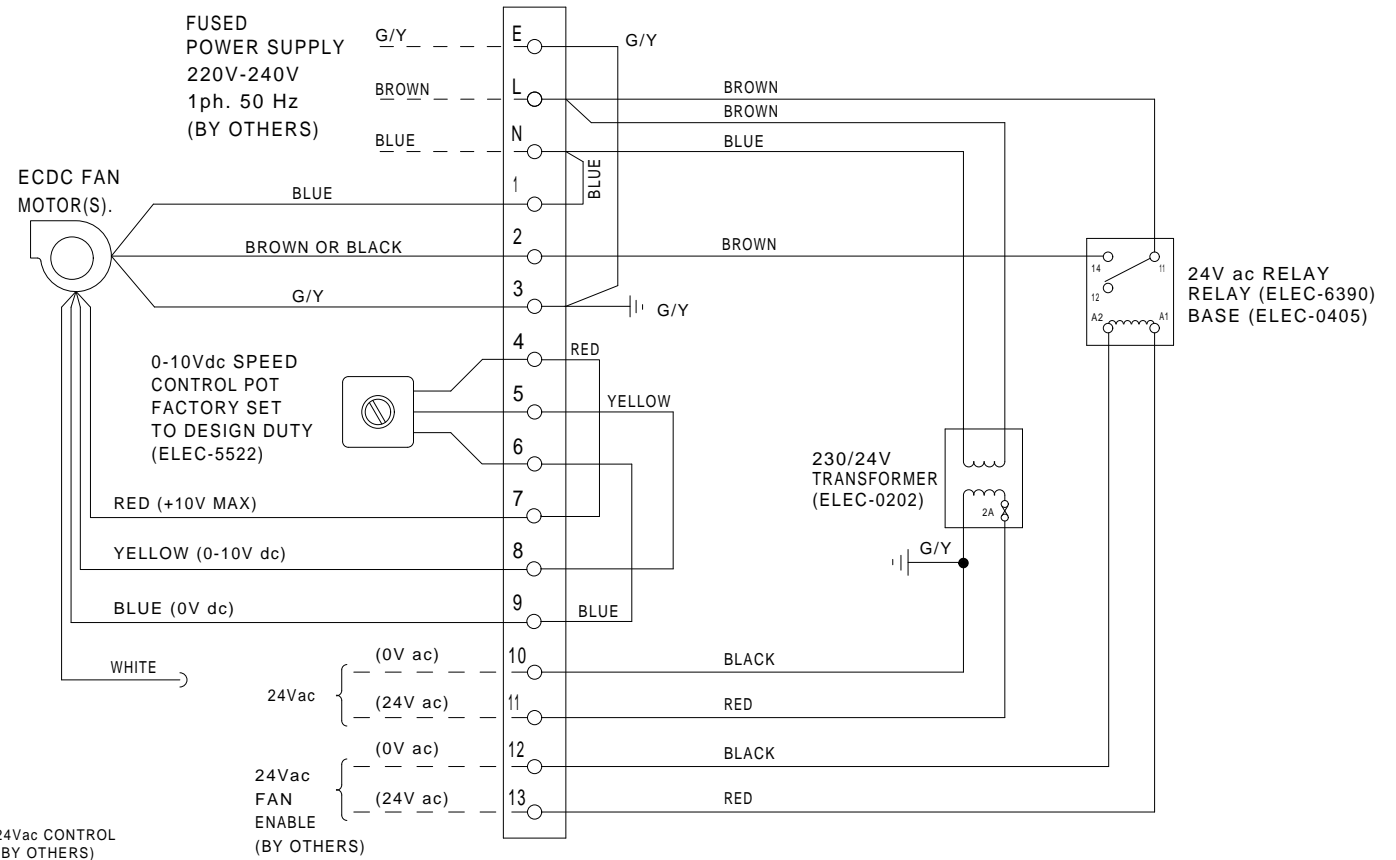
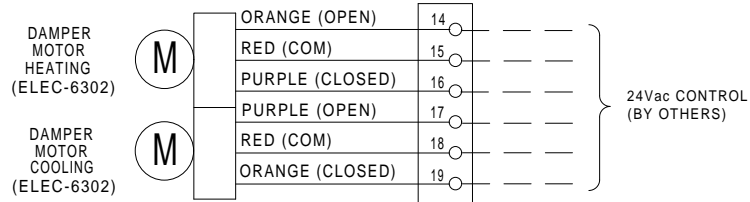


NOTES:

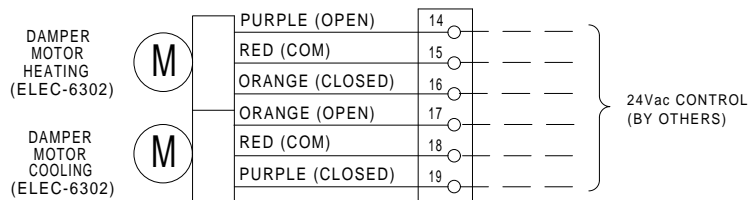
1. FIELD WIRING SHOWN THUS: - - - - -
2. G/Y - GREEN/YELLOW
3. INTERNAL WIRES TO BS.4808 COPPER  
24/0,2(0,75mm<sup>2</sup>)




LEFT HAND UNIT



RIGHT HAND UNIT



REV.	MOD.NO.	DATE	DRN	CHKD	DRAWN	JD	 47 Central Avenue, West Molesey, Surrey, KT8 2QZ Telephone 020 8783-0033. Fax 020 8783-0140
1	REQ. 7419	11-10-16	JD	CDS	DATE	11-10-16	
MODIFICATION							TITLE WIRING DIAGRAM. AIRSIDE CONTROL, HEATING & COOLING ECDC FANS WITH TRANSFORMER, SPD POT & BMS RELAY. (ROTARY ACTUATORS)
					CHECKED	CDS	
					DATE	11-10-16	JOB  DRG.NO. <b>A3/33277</b>
					APP'D		
					DATE		