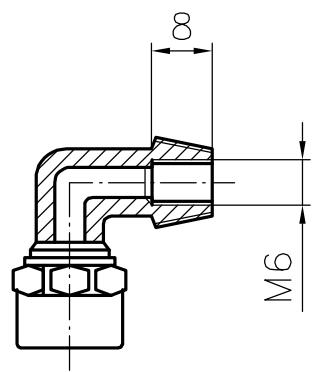
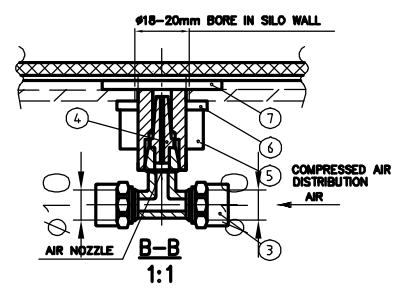
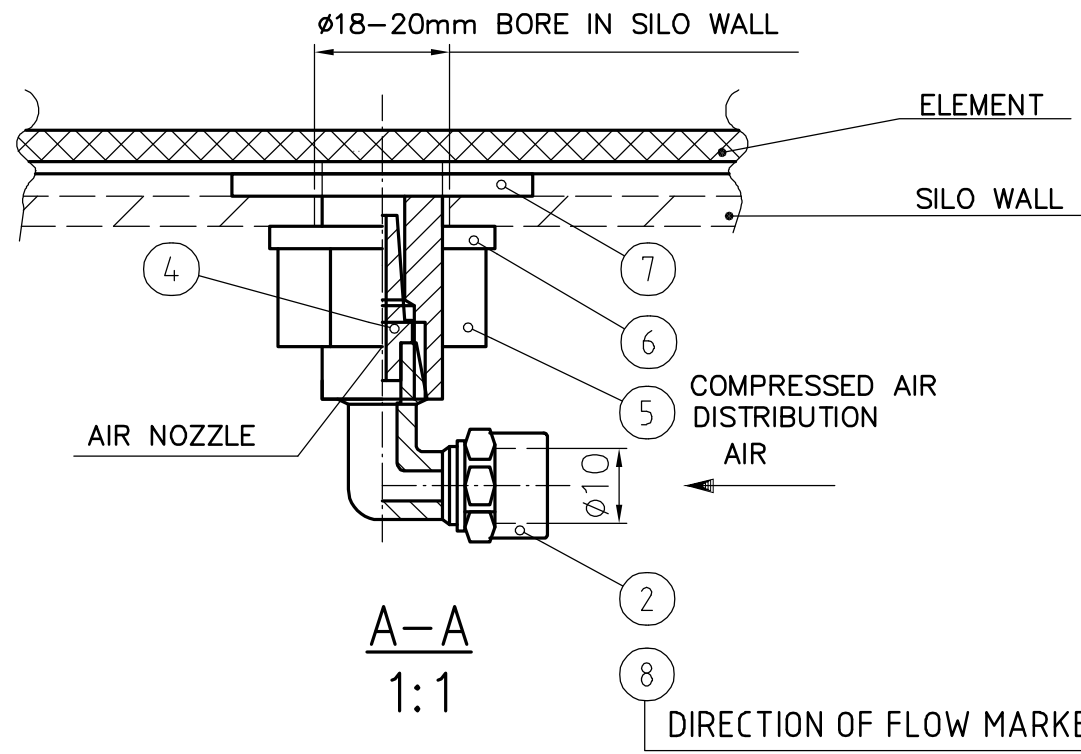


FLUIDIZATION ELEMENT FLC-600

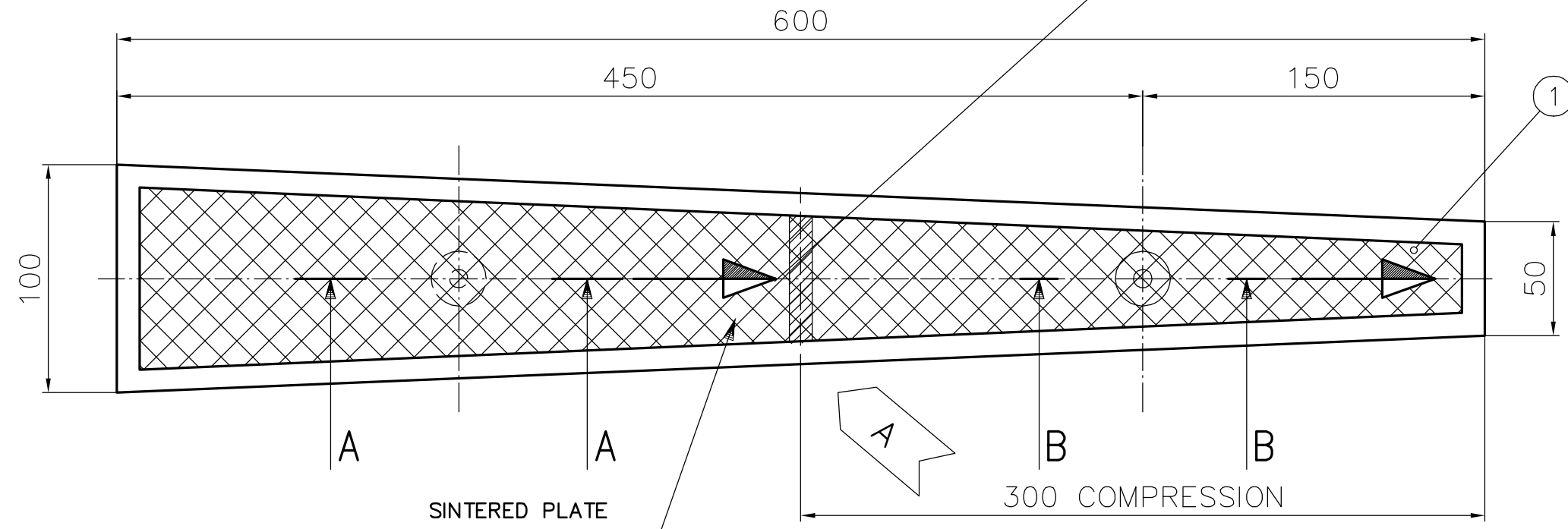


A-A  
1:1

DIRECTION OF FLOW MARKED MACHINE PLATE

PART 2 AND 3 M6 THREAD

FLUIDIZATION ELEMENT TO BE MOUNTED TO ALLOW MATERIAL FLOW IN ARROW DIRECTION



SINTERED PLATE

300 COMPRESSION

This drawing and the design shown therein is the property of Raute. Any duplication or use of this print for purposes other than for which it was furnished is hereby prohibited.

Do not take information by measuring from this copy

SUPPLIED BY LAHTI PRECISION SUPPLIED BY CLIENT	Date	Name	Work No.	Pcs	Actual Weight
	21.05.2002	SOLJ			1.3 Kg
	Checked	/	Old Drawing	New Drawing	Model Drawing
	Office	/	FLUIDIELEMENTTI FLC600		
	FLUID ELEMENT OKP				
Project Pos. Code FL C600 V0009250			Drawing No.		Scale 1:2.5 Size A3 Revision A
15.11.2007	BROA	Modified	1	A	
Date	Name	Description	No. of changes	Coord.	Rev.