



Features

- 10.1" LCD Display With LED Backlight
- Intel Celeron Processor
- Supports Optional Panel Mount, Wall Mount, VESA Mount, or Desktop Stand
- IP65 Rated Front Bezel
- Slim, Fanless Design
- Easy Access Storage Bay
- 60601-1 4th Edition Certified with 8KV/15KV Isolation

Technical Specifications

System

Processor	Intel Celeron N3060 CPU
Storage	mSATA, SATA SSD
Memory	DDR3L SO-DIMM
Memory (RAM)	4GB, 8GB

Display

Screen Size	10.1"
Type of Display	WXGA TFT LCD with LED backlight
Screen Resolution	1280 x 800
Nits	350
Viewing Angle	170°/170°

Touch Screen

Touchscreen	Projected Capacitive (Multi-touch)
-------------	------------------------------------

I/O Ports

USB 2.0	2 x USB 2.0
USB 3.0	2 x USB 3.0
Serial	1 x RS-232/422/485 (default RS-232, COM 1)

Operating System

Operating System	Windows 10 Pro, Windows 8.1 Pro, Windows 7 Pro
------------------	--

Power

Power Input	AC version: 100 ~ 240 VAC-DC, 65W power adapter or DC version: 9 ~ 36 VDC with over current protection fuse
Power Consumption	40.32 W

Expansion Slots

PCI Slot	1 x full-size PCI Express Mini Card slot with mSATA
Other Expansion	1 x full-size PCI Express Mini Card slot with SIM

Multimedia

Integrated Audio Controller	1 x audio (Line-out)
-----------------------------	----------------------

Operating Temperature

Operating Temperature	0°C ~ 40°C (32°F ~ 122°F)
Humidity Range	20% ~ 90% @ 40°C; non-condensing

Cooling System / Thermal Solution

Thermal Solution	Passive - Fanless
------------------	-------------------

Dimensions / Weight

Weight (kg)	1.0800
Dimensions	387.9 mm x 54.6 mm x 307.7 mm

Enclosure

Bezel	IP65 Front Protected
Material	Plastic
Color	White
Control Buttons	Power LED, HDD LED, Brightness adjust +/-, Display on/off, Volume adjust, Min-in (optional)
Vibration	2G, 5 ~ 500Hz, random for SSD
Mounting	Panel Mount, VESA Mount, Desktop Stand, Wall Mount

Peripherals & Devices

Wireless Communication	LAN/GPRS/GSM/4G
RFID	Supports RFID Optional • Wi-Fi + Bluetooth kit
Accessories	• Panel mount kit • Wall mount kit • Stand kit • RFID kit

Certification

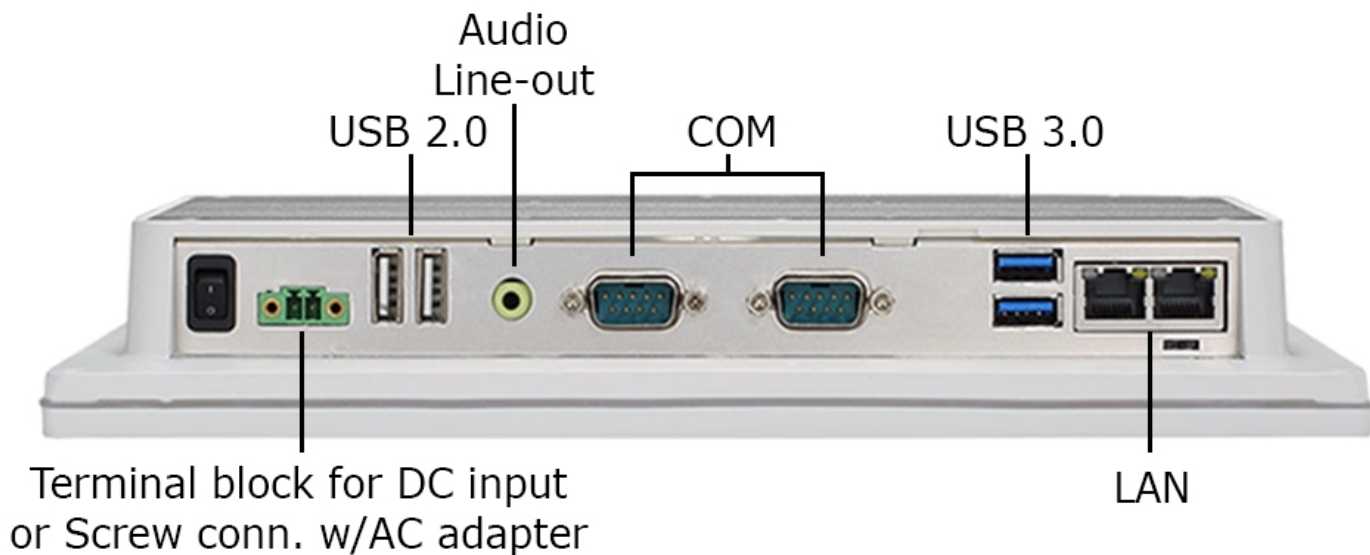
Certification	CE / FCC, 60601-1 4th Edition
---------------	-------------------------------

Warranty

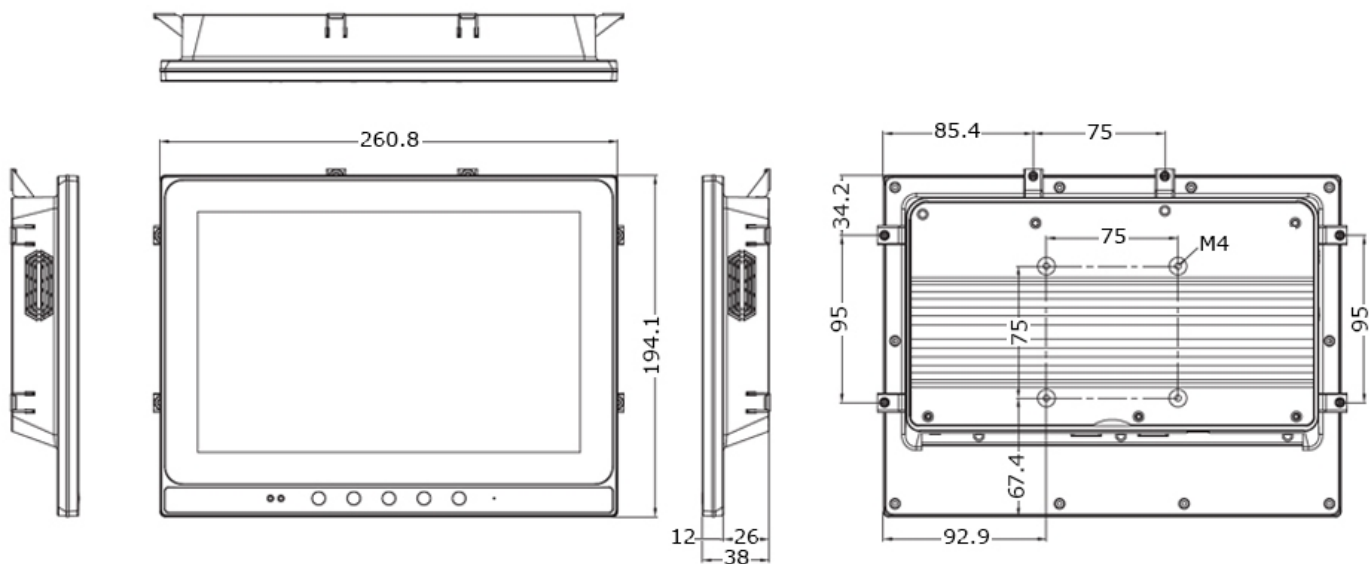
Warranty	Up to 5 Years
----------	---------------

All specifications are subject to change without notice.

Inputs / Outputs



Technical Drawings



All specifications are subject to change without notice.