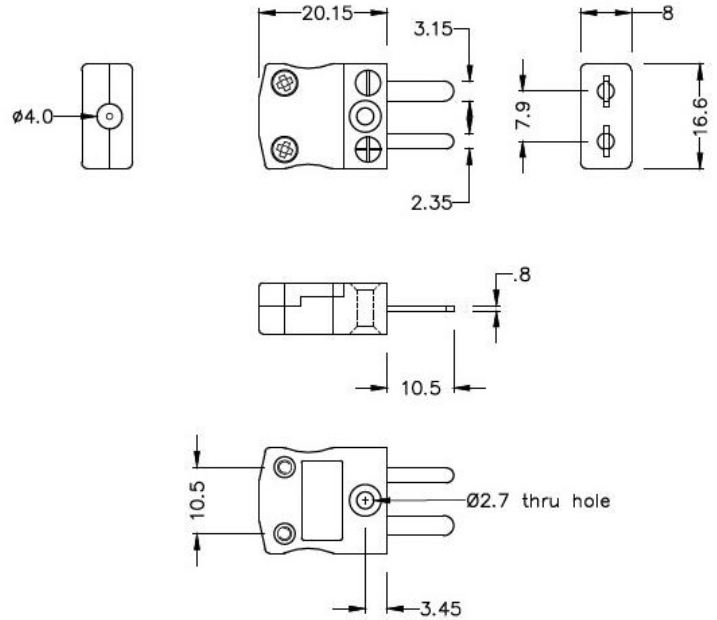
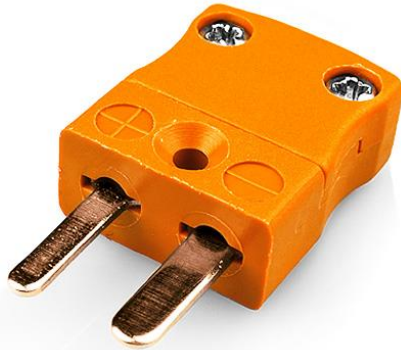


# Miniature In-Line Plug, Type R/S

(IEC Colour Code)



## General Description

Ideal for general purpose use. Contacts are polarised to ensure correct connection

## Thermocouple Type

R/S IEC

## Connector Type

Plug

## Connector Size

Miniature

## Colour

Orange

## Max. Temperature

220°C

## Pins

Flat Pins

## +Positive Contact

Copper

## -Negative Contact

Copper Alloy

## Standards Met

BS EN 50212:1997. RoHS

