

Material Code: 408010110104.....
Description: THERMOMETER (WATER).....
IT Code: 0 0.....
QCTM No:

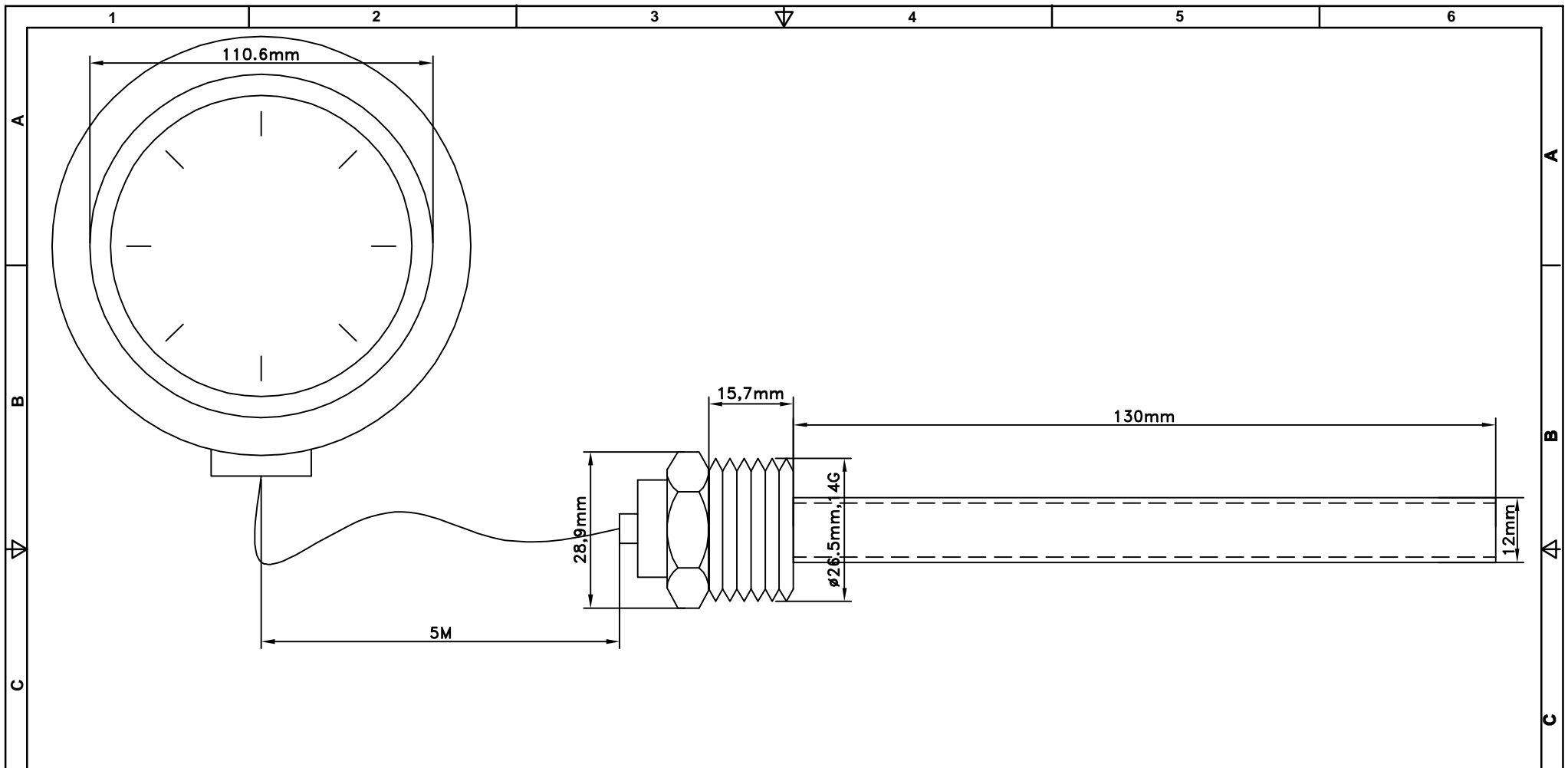
26-Similar Type Material Codes:

Material Code	Manufacturer	Part No/Type:

27*-Drawing No: PR-53-0591

28-Assembly Drawing No: PR-53-0591





1	TThermometer					
No.	Part Name	QTY	Dimension	Mat.	Weight (Kg)	Remark
Scale: 2:1		Size: A4				
	Date	Name				
Drawn	00/12/09	A.Noorani				
Desigend	---	Drawing Title:				
Checked	00/12/10	---		Thermometer indicator		
Approved	00/12/10	---		Ref.DWG.No: ---		
ANG.PROJ.				DWG.No.: PR-53-0591		
				Sheet	REV.	
				--	0	

TOLERANCES ACCORDING	ACCORDING DIN 4768
DIN ISO 2768-1(-)	

ORDER NO.:	MATERIAL CODE :
RP 102	408010110104

REV No.	Revision Note	By	Date