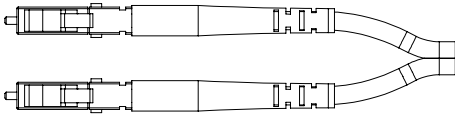


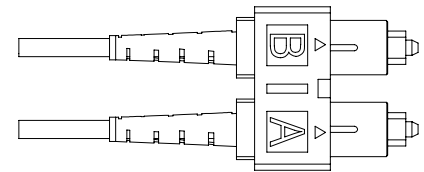
# FOR HISTORICAL AND INFORMATIONAL PURPOSES ONLY

optional non-clipped assembly\*



unclipped by customer request

optional clipped assembly\*\*

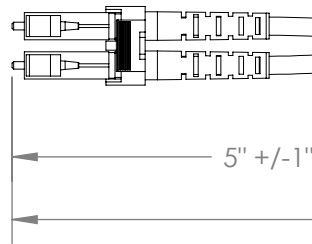


clipped by customer request

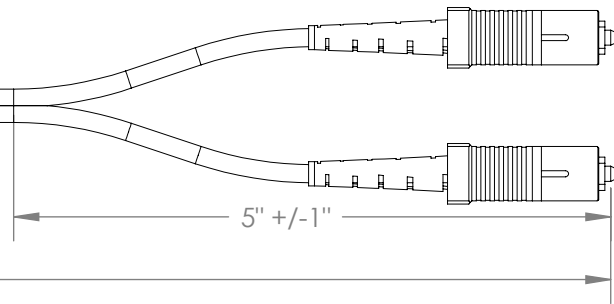
Cable Type:

3mm - Multimode Duplex PVC (Corning 002S51-31180-24 or similar)

Connector 1\*



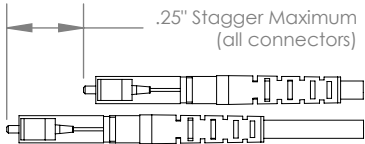
Connector 2\*\*



5" +/-1"

5" +/-1"

LLL' +6"/0"

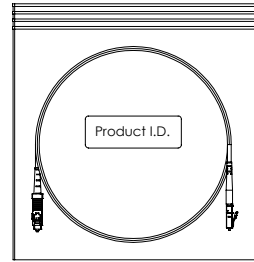


.25" Stagger Maximum (all connectors)

Length (LLL) in feet

Final Product is individually packaged in a poly bag

Bag dimensions vary based on product length



Representative Packaging

**Maximum Fiber Loss:**  
 3.5dB/km @ 850nm (MM)  
 1.0dB/km @ 1300nm (MM)  
 0.35dB/km @ 1310nm (SM)  
 0.25dB/km @ 1550nm (SM)  
 Attenuation testing performed in accordance with EIA/TIA-455-171A

Fiber/Conn. Type	Primary/Secondary Boot Colors (pre-terms use primary boot colors only)
Single-mode	Blue/White
Multimode 50/62.5um	Black/Red
10 Gig Aqua	Black/Red
MT-RJ	Black
Angled PC Connectors	Green/Green (opposite non-angled side white/white)

LC	Fiber	SC	PERFORMANCE SPECIFICATIONS		GENERAL SPECIFICATIONS		PROPRIETARY AND CONFIDENTIAL		NAME	DATE
B	1	A	TYPE	Multimode, 50um, 10Gig	CONNECTOR LATERAL PULL TEST	>= 50N (11.24lbs.)	THE INFORMATION CONTAINED IN THIS DRAWING IS THE SOLE PROPERTY OF QUIKTRON. ANY REPRODUCTION IN PART OR AS A WHOLE WITHOUT THE WRITTEN PERMISSION OF QUIKTRON IS PROHIBITED.	DRAWN	E. Price	9/18/2009
A	2	B								
			ASSEMBLY LOSS	TYPICAL <= 0.3dB MAX <= 0.5dB				ENG APPR.		
			TYP. RETURN LOSS	-25dB (MM)				MFG APPR.		
			OPERATING TEMP	(-20 C) - (+70 C)	BEND RADII = 1.5"			Q.A.	Approved 10-09-09 EC Group	

<b>QUIKTRON</b>			925 Old Lenoir Road NW Hickory, NC 28601 828-327-6009		
TITLE: 842-L42-LLL 2F Q-Series LC-SC Assembly					
SIZE	DWG. NO.			REV	
<b>A</b>	D101038			<b>A</b>	
SCALE: NTS	WEIGHT:			SHEET 1 OF 1	