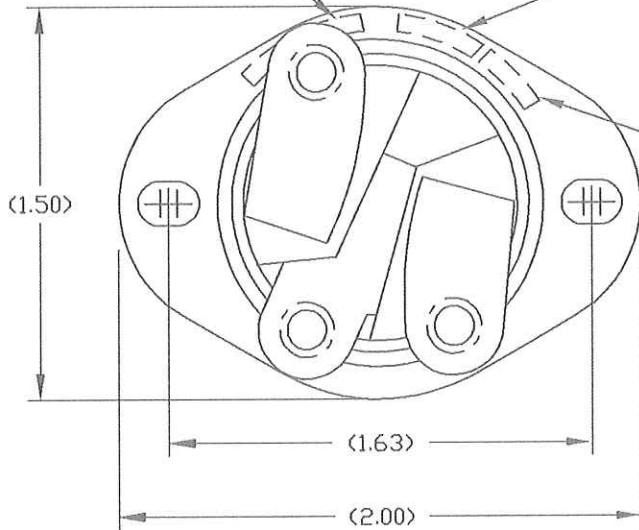


REV.	REVISION DESCRIPTION	ECN NO.	DATE
A	INITIAL RELEASE FOR PRODUCTION; PD	ECO-052022	22-FEB-2010

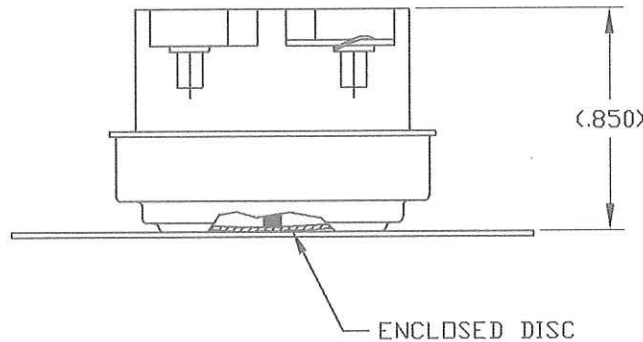
USING 3/32 HIGH CHARACTERS  
METAL STAMP SENSATA P/N  
ON BRACKET

USING 3/32 HIGH CHARACTERS  
METAL STAMP TEMP. CODE  
ON BRACKET

USING 3/32 HIGH CHARACTERS  
STAMP DATE CODE AS REQ'D  
ON BRACKET



OPERATING TEMPERATURE:	
OPEN TEMP.	194°F ±5°
CLOSE TEMP.	156°F ±5°
TEMP. CODE	L194-3.8



NOTE: SHIP WITH 50006-2 SCREWS QTY. 3

**KLIXON**  
CONTROL PRODUCTS  
DIVISION

FOR REFERENCE ONLY, CHECK LATEST REVISION BEFORE USE.  
PARTS MADE TO THIS PRINT MUST CONFORM TO E9898 REV. E

DRAWN  
P.DESAUTEL  
DATE 22-FEB-2010

ENGINEER  
A.AMDRE  
DATE 22-FEB-2010

APPROVED

DATE  
APPROVED

DATE

SENSATA TECHNOLOGIES PROPRIETARY AND  
CONFIDENTIAL. NEITHER THIS PRINT NOR THE  
INFORMATION CONTAINED HEREON IS TO BE USED  
AGAINST THE INTERESTS OF SENSATA TECHNOLOGIES  
OR AGAINST THE INTERESTS OF ANY OF ITS AFFILIATED  
COMPANIES OR WHOLLY OWNED SUBSIDIARIES.

INTERPRET DIMENSIONING AND TOLERANCING  
PER ASME Y14.5-2009. UNLESS OTHERWISE  
SPECIFIED DIMENSIONS ARE IN INCHES.  
TOLERANCES  
DECIMALS                      ANGLES

DO NOT  
SCALE  
DRAWING

THIRD ANGLE  
PROJECTION

PROJECT:

**Sensata  
Technologies**

**TE**  
Telemeter Electronic

Telemeter Electronic GmbH  
85609 Donauwörth  
Telefon +49 906 70693-0  
Telefax +49 906 70693-50  
info@telemeter.de  
www.telemeter.info

TITLE  
THERMOSTAT  
ENVELOPE  
DRAWING

SIZE    DWG NO.

A    20400D8-528

REV.

A

SCALE    NA    AUTOCAD    SHEET 1 OF 1

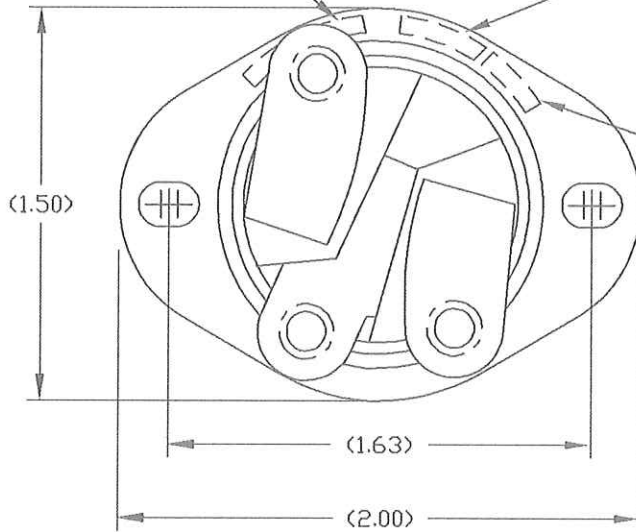
DEVICE:

REV.	REVISION DESCRIPTION	ECN NO.	DATE
A	INITIAL RELEASE FOR PRODUCTION; PD	ECO-052431	03-MAR-2010

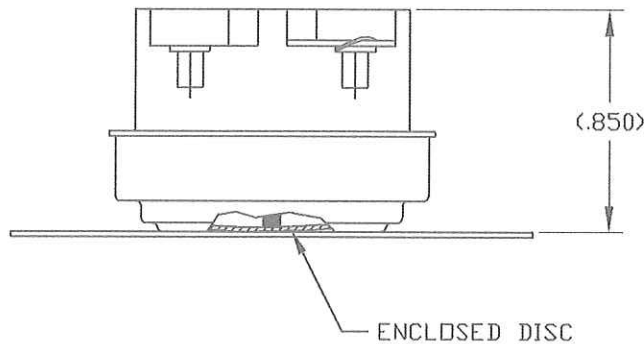
USING 3/32 HIGH CHARACTERS  
METAL STAMP SENSATA P/N  
ON BRACKET

USING 3/32 HIGH CHARACTERS  
METAL STAMP TEMP. CODE  
ON BRACKET

USING 3/32 HIGH CHARACTERS  
STAMP DATE CODE AS REQ'D  
ON BRACKET



OPERATING TEMPERATURE	
OPEN TEMP.	257°F ±6°
CLOSE TEMP.	221°F ±6°
TEMP. CODE	L257-3.6



NOTE: SHIP WITH 50006-2 SCREWS QTY. 3

**KLIXON**  
CONTROL PRODUCTS  
DIVISION

FOR REFERENCE ONLY, CHECK LATEST REVISION BEFORE USE.  
PARTS MADE TO THIS PRINT MUST CONFORM TO E9898 REV. E

DRAWN P.DESAUTEL DATE 03-MAR-2010	SENSATA TECHNOLOGIES PROPRIETARY AND CONFIDENTIAL. NEITHER THIS PRINT NOR THE INFORMATION CONTAINED HEREON IS TO BE USED AGAINST THE INTERESTS OF SENSATA TECHNOLOGIES OR AGAINST THE INTERESTS OF ANY OF ITS AFFILIATED COMPANIES OR WHOLLY OWNED SUBSIDIARIES.  INTERPRET DIMENSIONING AND TOLERANCING PER ASME Y14.5-2009. UNLESS OTHERWISE SPECIFIED DIMENSIONS ARE IN INCHES. TOLERANCES DECIMALS      ANGLES  DO NOT SCALE DRAWING THIRD ANGLE PROJECTION
ENGINEER A.AMORE DATE 03-MAR-2010	
APPROVED	
DATE APPROVED	
DATE	



Telemeter Electronic GmbH  
86609 Donauwörth  
Telefon +49 906 70693-0  
Telefax +49 906 70693-50  
info@telemeter.de  
www.telemeter.info

TITLE THERMOSTAT ENVELOPE DRAWING		
SIZE A	DWG NO. 20400D8-529	REV. A
SCALE NA	AUTOCAD	SHEET 1 OF 1

DEVICE: PROJECT: