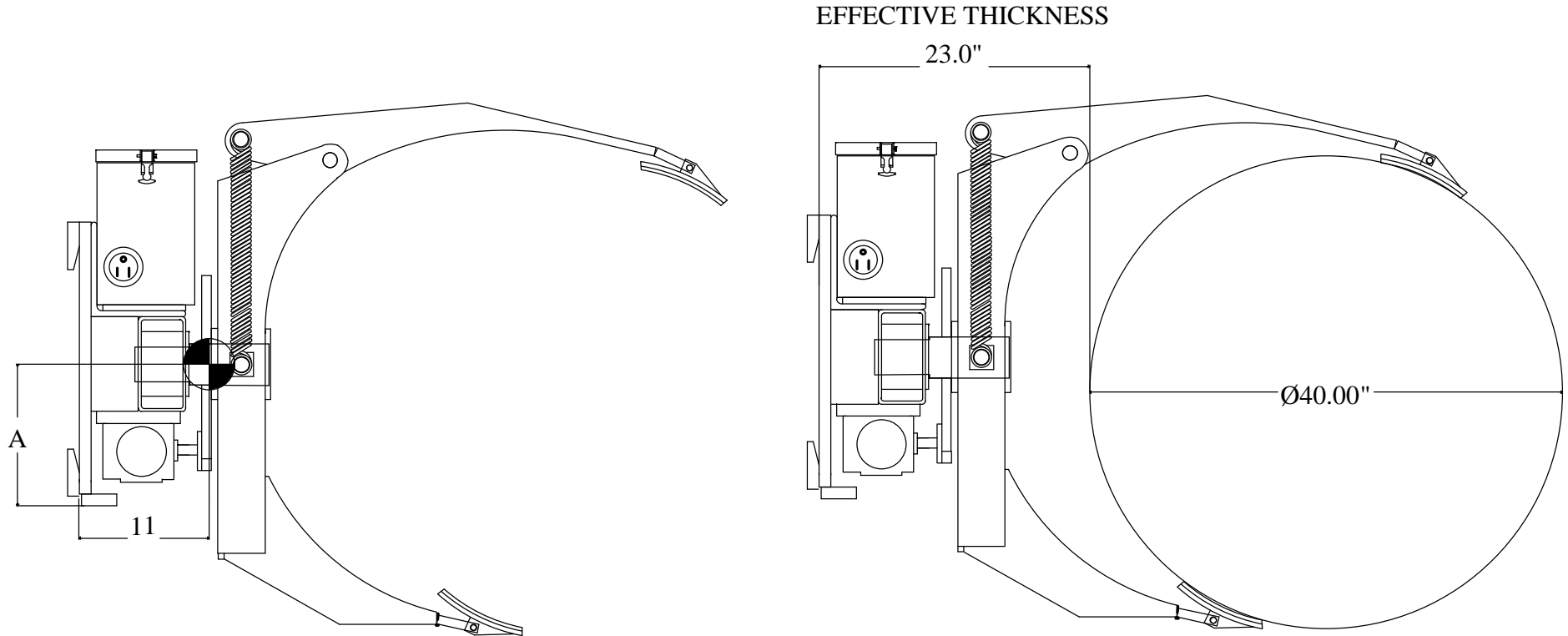


RCR 20-40 CENTER OF GRAVITY
ATTACHMENT ONLY WEIGHT 850 Lbs



A = VERTICAL CENTER OF GRAVITY = 12 INCH UP FROM CARRIAGE BASE.

B = HORIZONTAL CENTER OF GRAVITY = 11 INCH FROM CARRIAGE FACE.

23.0 INCH EFFECTIVE THICKNESS IS FROM THE FACE OFF CARRIAGE TO BACK OF 40 INCH DIAMETER ROLL.