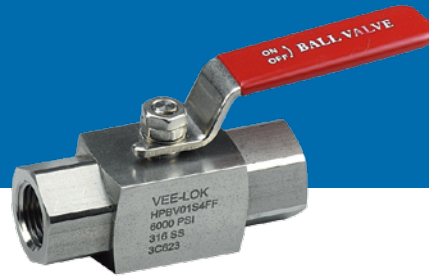


High Pressure Ball Valve

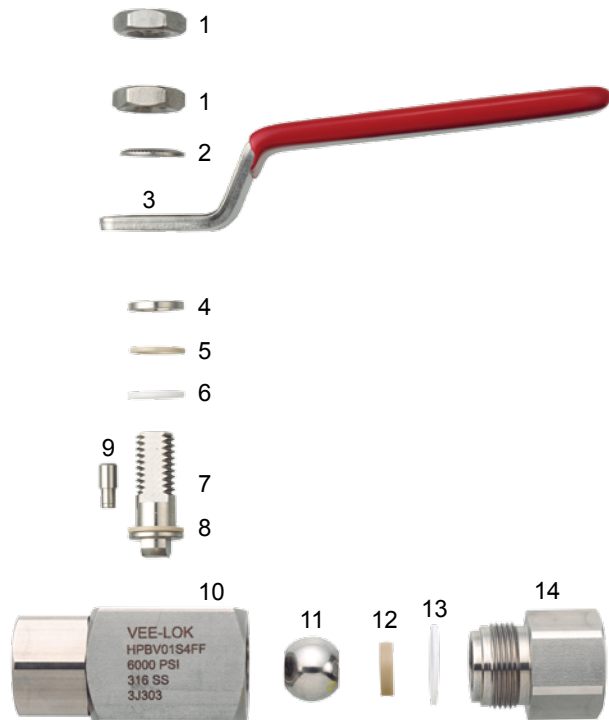
HPBV01 series



Features

- Maximum working pressure:
6000 psi (414bar) at 100°F (38°C)
- Working temperature:
From -65°F (-54°C) to 500°F (260°C) with PEEK seat
From -22°F (-30°C) to 265°F (130°C) with PVDF seat
From -315°F (-193°C) to 392°F (200°C) with Devlon®
V-API seat
- A 316 stainless steel handle covered with vinyl sleeve gives quarter turn rust-free operation.
- Valves with PEEK seats are supplied with red sleeves on handles. PVDF seats are identified with green sleeves while Devlon V-API with blue ones.
- A robust pin is to create a positive stop.
- The stem with shoulder provides blowout proof design to maintain seal integrity at all pressure.
- Optional sour gas service conforms to NACE MR0175.
- Ball valves are hydrostatic tested at the full rated pressure and low pressure pneumatic at 70 psi.
- 100% factory test
- Material traceability

Material of Construction



No.	Component	Material Grade ASTM specification
1	Lock Nut	304 S.S.
2	Fixing Washer	304 S.S.
3	Handle	316 S.S./A276
4	Gland	316 S.S./A276
5	Back-up Ring	PEEK
6	Packing	Teflon®
7	Stem	316 S.S./A276
8	Gasket	PEEK
9	Pin	303 S.S.
10	Body	316 S.S./A479
11	Ball	316 S.S./A276
12	Seat	PEEK ^{Note}
13	Seal	Teflon®
14	End Connector	316 S.S./A479

Note:

1. Standard PEEK seats use red sleeves on handles.
2. Green sleeves identify PVDF seats. Blue sleeves identify Devlon® V-API seats.

Operation

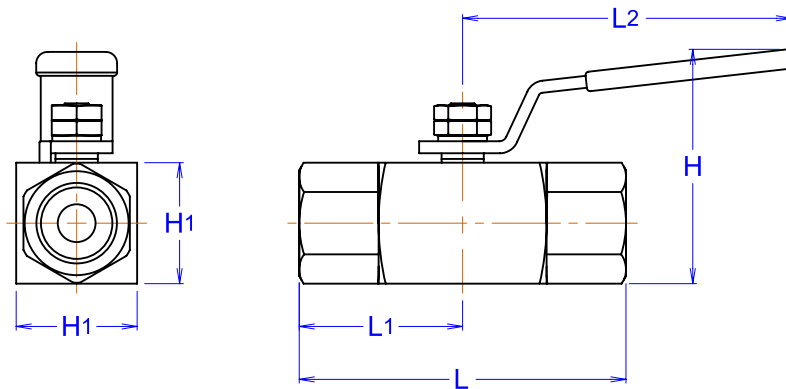
- Valves are designed to control fluids in full open or full closed position.
- Valves that have not been actuated for a period of time may require a higher initial actuation torque.
- Valve must be in open position during system test not to damage the valve seat.



Safe Product Selection

When selecting a product, the total system design must be considered to ensure safe performance. Function, material compatibility, adequate ratings, proper installation, operation and maintenance are the responsibilities of the system.

Dimensions



Ordering No.	End Connection		Bore	Dimensions (mm)				
	Inlet	Outlet		L	L1	H	H1	W
HPBV01S4FF	1/4"NPT female	1/4"NPT female	9.52	62.4	31.2	61	32	87
HPBV01S6FF	3/8"NPT female	3/8"NPT female	9.52	62.4	31.2	61	32	87
HPBV01S8FF	1/2"NPT female	1/2"NPT female	9.52	86.5	43.25	61	32	87
HPBV01S4OD	1/4" O.D.	1/4" O.D.	9.52	89.8	44.9	61	32	87
HPBV01S6OD	3/8" O.D.	3/8" O.D.	9.52	93.4	46.7	61	32	87
HPBV01S8OD	1/2" O.D.	1/2" O.D.	9.52	98.4	49.2	61	32	87

All dimensions shown are for reference and subject to change without prior notice.

Sizes listed are standard. Other sizes and end types are available upon request. Refer to ordering information.

Ordering Information

HPBV	S		4		FF			
Series	Body Material		Size		End Connection		Seat Material	
HPBV01	S	316 S.S.	4	1/4"	FF	Female X Female	PK	PEEK
			6	3/8"	OD	VEE-LOK twin ferrule tube fittings	PV	PVDF
			8	1/2"			DV	Devlon [®] V-API