

## Side Channel Vacuum Pumps & Air Blowers



**50 Hz**  
**RT Range**

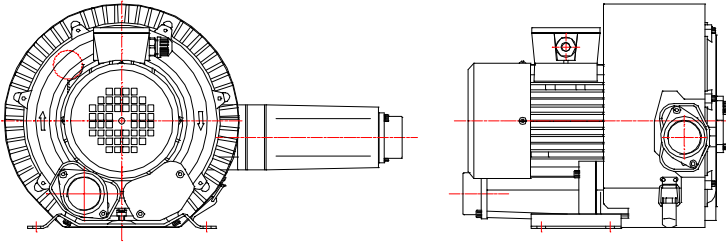
- |   |                 |
|---|-----------------|
| ➤ | Three Phase AC  |
| ➤ | Single Phase AC |

**World Leading Products**

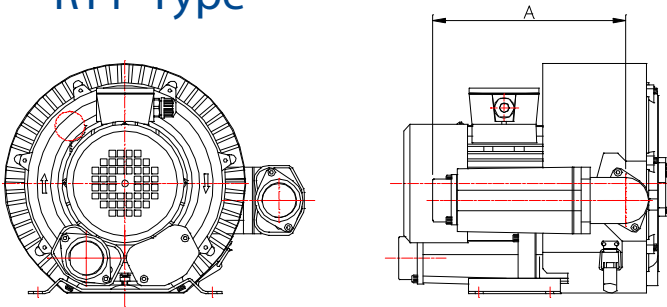
**Class H Motors**



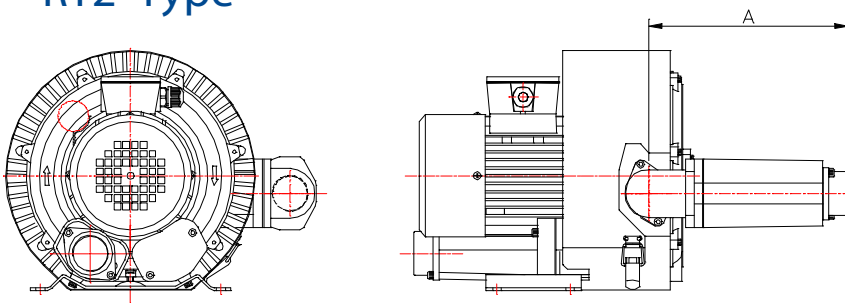
### RT Type



### RT1 Type



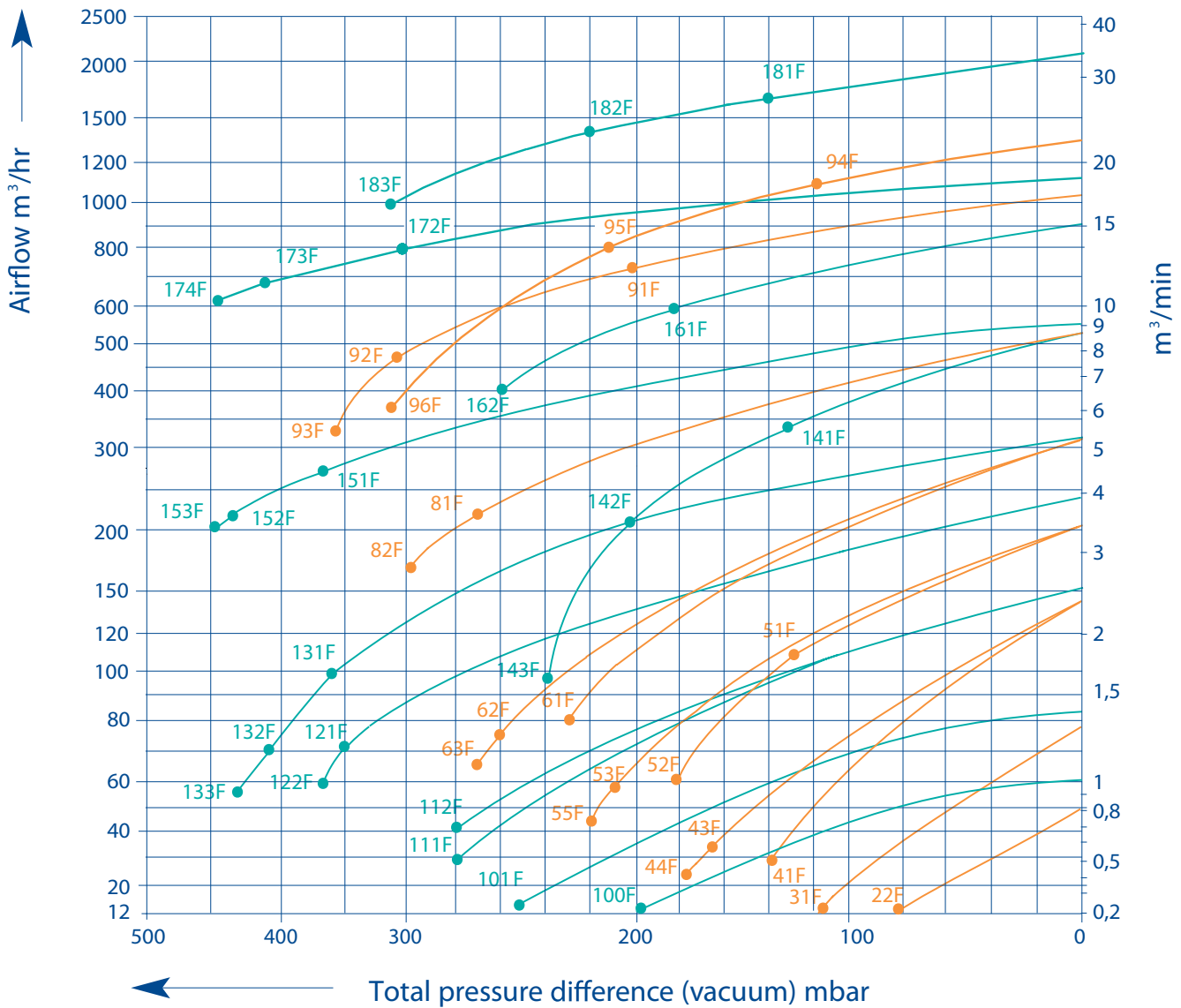
### RT2 Type



- Large flow type
- High vacuum/pressure type

> Three-Phase AC, 50Hz, RT Range

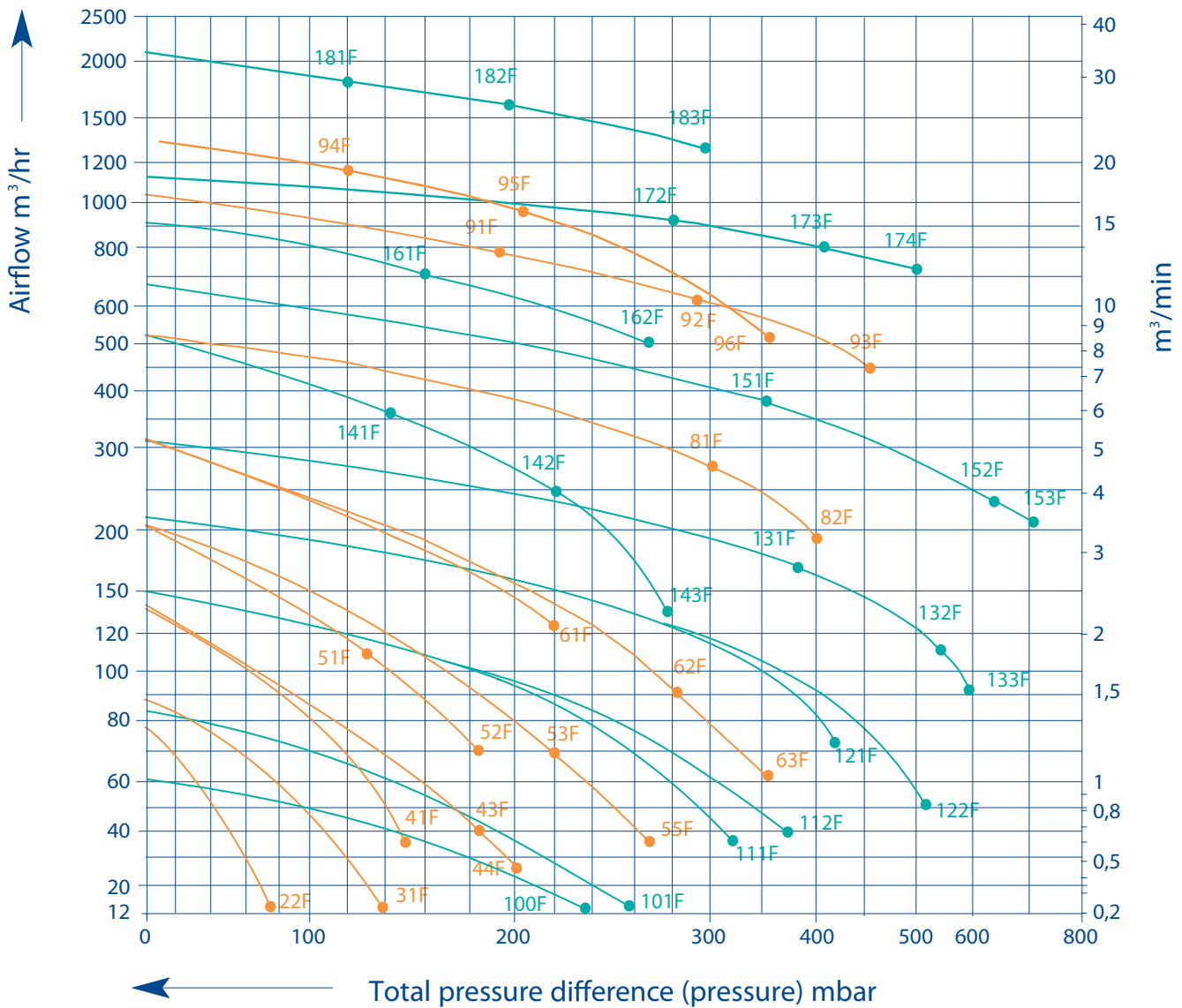
> Curve for Vacuum, 50Hz, RT Range



The performance curves apply for pumping air 15°C at the inlet flanges with an air pressure of 1013 mbar with a tolerance of ±10%. The total pressure differences apply up to an intake and ambient temperature of 25°C.

> Three-Phase AC, 50Hz, RT Range

> Curve for Blower, 50Hz, RT Range



The performance curves apply for pumping air 15°C at the inlet flanges with an air pressure of 1013 mbar with a tolerance of ±10%. The total pressure differences apply up to an intake and ambient temperature of 25°C.

## > Three-Phase AC, 50Hz, RT Range

### > Technical Data for 50Hz, RT Range

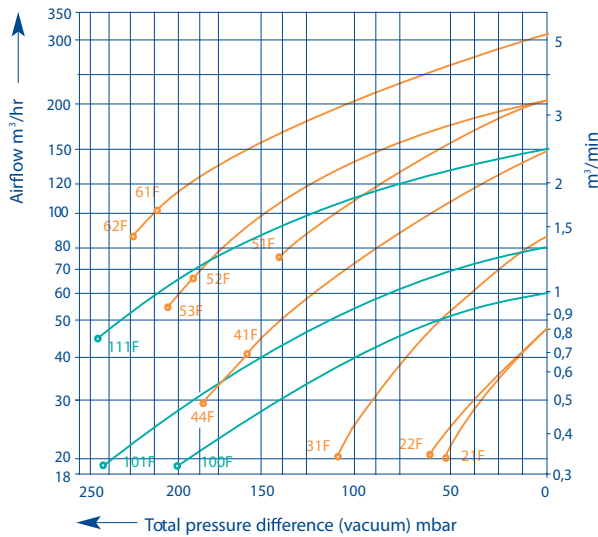
Curve Number	Model Number RT	Motor			Motor Protection	Noise dB(A)	Weight Approx kg	Relief Valve* Vacuum	Relief Valve* Pressure	Intake** Filter
		Output kW	Voltage V	Current A						
22F	RT-1003	0.2	220-240V/380-415V	0.9Δ/0.5Y	IP 55	52	7	-	-	MF8
31F	RT- 2005	0.4	220-240V/380-415V	2.1Δ/1.2Y	IP 55	58	11	1 x RV01-VZ	1 x RV01-PZ	MF10
41F	RT- 3009	0.75	220-240V/380-415V	3.3Δ/1.9Y	IP 55	63	14	1 x RV01-VZ	1 x RV01-PZ	MF12
43F	RT- 3011	0.9	220-240V/380-415V	4.2Δ/2.4Y	IP 55	63	15	1 x RV01-VZ	1 x RV01-PZ	MF12
44F	RT- 3015	1.3	220-240V/380-415V	4.6Δ/2.7Y	IP 55	63	16	1 x RV01-VZ	1 x RV01-PZ	MF12
51F	RT- 4011	0.9	220-240V/380-415V	4.2Δ/2.4Y	IP 55	70	20	1 x RV01-VZ	1 x RV01-PZ	MF16
52F	RT- 4015	1.3	220-240V/380-415V	5.7Δ/3.3Y	IP 55	70	22	1 x RV01-VZ	1 x RV01-PZ	MF16
53F	RT- 4019	1.75	220-240V/380-415V	6.7Δ/3.9Y	IP 55	70	23	1 x RV01-VZ	1 x RV01-PZ	MF16
55F	RT- 4026	2.2	220-240V/380-415V	7.8Δ/4.5Y	IP 55	70	26	1 x RV01-VZ	1 x RV01-PZ	MF16
61F	RT- 5026	2.2	220-240V/380-415V	9.7Δ/5.6Y	IP 55	72	32	1 x RV01-VZ	1 x RV01-PZ	MF16
62F	RT- 6037	3.4	220-240V/380-415V	12.5Δ/7.2Y	IP 55	72	35	1 x RV01-VZ	1 x RV01-PZ	MF16
63F	RT- 6046	4.0	380-415V/660-720V	8.1Δ/4.7Y	IP 55	72	38	1 x RV01-VZ	1 x RV02-PZ	MF16
81F	RT- 7063	5.5	380-415V/660-720V	11.7Δ/6.8Y	IP 55	74	78	1 x RV01-VZ	1 x RV02-PZ	MF20
82F	RT- 8086	7.5	380-415V/660-720V	15.1Δ/8.7Y	IP 55	74	82	1 x RV02-VZ	1 x RV02-PZ	MF20
91F	RT- 9110	9	380-415V/660-720V	20.2Δ/11.7Y	IP 55	76	100	3 x RV01-VZ	3 x RV01-PZ	MF32
92F	RT- 9150	13	380-415V/660-720V	26.3Δ/15.2Y	IP 55	76	112	3 x RV01-VZ	3 x RV01-PZ	MF32
93F	RT- 9220	20	380-415V/660-720V	37.5Δ/21.7Y	IP 55	76	159	3 x RV01-VZ	3 x RV01-PZ	MF32
94F	RT- 9410	8.5	380-415V/660-720V	18.2Δ/10.5Y	IP 55	75	120	3 x RV01-VZ	3 x RV01-PZ	MF32
95F	RT- 9415	12.5	380-415V/660-720V	28Δ/16.2Y	IP 55	75	132	3 x RV01-VZ	3 x RV01-PZ	MF32
96F	RT- 9420	18.5	380-415V/660-720V	37Δ/21Y	IP 55	75	140	3 x RV01-VZ	3 x RV01-PZ	MF32
100F	RT- 23006	0.55	220-240V/380-415V	3.0Δ/1.7Y	IP 55	58	15	1 x RV01-VZ	1 x RV01-PZ	MF10
101F	RT- 23009	0.75	220-240V/380-415V	3.3Δ/1.9Y	IP 55	60	17	1 x RV01-VZ	1 x RV01-PZ	MF10
111F	RT- 33019	1.75	220-240V/380-415V	6.7Δ/3.9Y	IP 55	66	25	1 x RV01-VZ	1 x RV02-PZ	MF12
112F	RT- 33026	2.2	220-240V/380-415V	7.8Δ/4.5Y	IP 55	66	28	1 x RV01-VZ	1 x RV02-PZ	MF12
121F	RT- 43037	3.4	380-415V/660-720V	5.3Δ/3.1Y	IP 55	74	40	1 x RV02-VZ	1 x RV02-PZ	MF16
122F	RT- 43046	4	380-415V/660-720V	8.1Δ/4.7Y	IP 55	74	43	1 x RV02-VZ	1 x RV02-PZ	MF16
131F	RT- 63046	4	380-415V/660-720V	8.1Δ/4.7Y	IP 55	75	55	1 x RV02-VZ	1 x RV02-PZ	MF16
132F	RT- 63063	5.5	380-415V/660-720V	11.7Δ/6.8Y	IP 55	75	72	1 x RV02-VZ	1 x RV02-PZ	MF16
133F	RT- 63086	7.5	380-415V/660-720V	15.1Δ/8.7Y	IP 55	75	80	1 x RV02-VZ	1 x RV02-PZ	MF16
141F	RT- 64046	4	380-415V/660-720V	8.1Δ/4.7Y	IP 55	75	55	1 x RV01-VZ	1 x RV01-PZ	MF16
142F	RT- 64063	5.5	380-415V/660-720V	11.7Δ/6.8Y	IP 55	75	70	1 x RV01-VZ	1 x RV01-PZ	MF16
143F	RT- 64086	7.5	380-415V/660-720V	15.1Δ/8.7Y	IP 55	75	80	1 x RV01-VZ	1 x RV01-PZ	MF16
151F	RT- 83086	7.5	380-415V/660-720V	15.1Δ/8.7Y	IP 55	76	112	1 x RV02-VZ	1 x RV02-PZ	MF20
152F	RT- 83130	11	380-415V/660-720V	25Δ/14.4Y	IP 55	76	142	1 x RV02-VZ	1 x RV01-PZ	MF20
153F	RT- 83190	16	380-415V/660-720V	34.5Δ/20Y	IP 55	76	160	1 x RV02-VZ	1 x RV01-PZ	MF20
161F	RT- 84086	7.5	380-415V/660-720V	15.1Δ/8.7Y	IP 55	76	110	2 x RV01-VZ	2 x RV01-PZ	MF20
162F	RT- 84130	11	380-415V/660-720V	25Δ/14.4Y	IP 55	76	140	2 x RV01-VZ	2 x RV01-PZ	MF20
172F	RT- 93015	12.5	380-415V/660-720V	28Δ/16.2Y	IP 55	74	188	3 x RV01-VZ	3 x RV01-PZ	MF32
173F	RT- 93020	16.5	380-415V/660-720V	35Δ/20Y	IP 55	74	197	3 x RV02-VZ	3 x RV02-PZ	MF32
174F	RT- 93025	20	380-415V/660-720V	40Δ/23Y	IP 55	74	204	3 x RV02-VZ	3 x RV02-PZ	MF32
181F	RT- 95320	15.0	380-415V/660-720V	35Δ/20Y	IP 55	75	220	3 x RV01-VZ	3 x RV01-PZ	MF32
182F	RT- 95325	20	380-415V/660-720V	40Δ/23Y	IP 55	75	226	3 x RV01-VZ	3 x RV01-PZ	MF32
183F	RT- 95330	25	380-415V/660-720V	52Δ/30Y	IP 55	75	233	3 x RV01-VZ	3 x RV01-PZ	MF32

\* Vacuum/Pressure Relief Valves supplied loose, for adapter/connection options please contact zepher-uk.

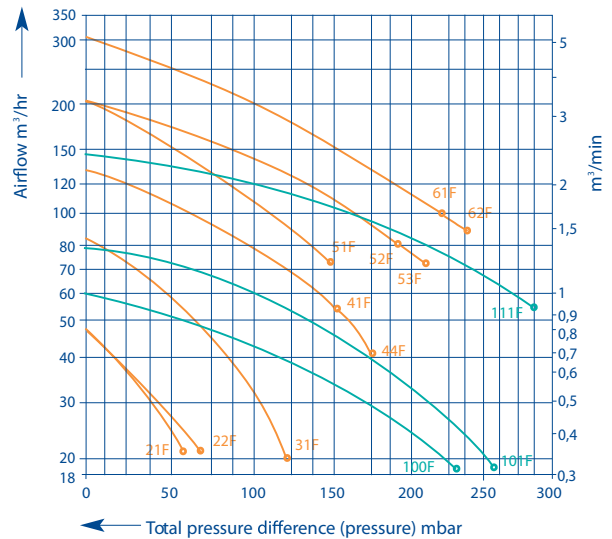
\*\* Supplied without connection pipework, MF Filter efficiency 100 micron.

> Single-Phase AC, 50Hz, RT Range

> Curve for Vacuum, 50Hz, RT Range



> Curve for Blower, 50Hz, RT Range



> Technical Data for 50Hz, RT Range

Curve Number	Model Number RT	Motor			Motor Protection	Noise dB(A)	Weight Approx kg	Relief Valve Vacuum*	Relief Valve Pressure*	Intake** Filter
		Output kW	Voltage V	Current A						
21F	RT-1002-1	0.18	110-120V/220-240V	3.0/1.5	IP55	53	6.5	-	-	MF8
22F	RT-1003-1	0.2	110-120V/220-240V	3.4/1.7	IP55	53	6.5	1 x RV01-VZ	1 x RV01-PZ	MF8
31F	RT-2005-1	0.4	110-120V/220-240V	5.6/2.8	IP55	58	11	1 x RV01-VZ	1 x RV01-PZ	MF10
41F	RT-3009-1	0.75	110-120V/220-240V	13.6/6.5	IP55	63	15	1 x RV01-VZ	1 x RV01-PZ	MF12
44F	RT-3015-1	1.3	220-240V	10.0	IP55	63	17	1 x RV01-VZ	1 x RV01-PZ	MF12
51F	RT-4011-1	0.9	220-240V	8.0	IP55	70	21	1 x RV01-VZ	1 x RV01-PZ	MF16
52F	RT-4015-1	1.3	220-240V	10.0	IP55	70	22	1 x RV01-VZ	1 x RV01-PZ	MF16
53F	RT-4018-1	1.5	220-240V	12.3	IP55	70	23	1 x RV01-VZ	1 x RV01-PZ	MF16
61F	RT-5026-2	2.2	220-240V	19.8	IP55	72	33	1 x RV01-VZ	1 x RV01-PZ	MF16
62F	RT-6037-2	3.4	220-240V	28.0	IP55	72	36	1 x RV01-VZ	1 x RV01-PZ	MF16
100F	RT-23006-1	0.55	220-240V	6.5	IP55	70	36	1 x RV01-VZ	1 x RV01-PZ	MF10
101F	RT-23009-1	0.75	220-240V	6.5	IP55	72	36	1 x RV01-VZ	1 x RV01-PZ	MF10
111F	RT-33015-1	1.5	220-240V	10.0	IP55	72	36	1 x RV01-VZ	1 x RV01-PZ	MF12

\* Vacuum/Pressure Relief Valves supplied loose, for adapter/connection options please contact zepher-uk.

\*\* Supplied without connection pipework, for options please contact zepher-uk, MF Filter efficiency 100 micron.

**Voltage Requirements:**

Permissible voltage range - Rated voltage - DIN IEC 38 - 230V - 400V - Voltage tolerance  $\pm 10\%$

Permissible voltage range - DIN VDE 0530 or DIN IEC 34-1 - 220...240V - 380...420V - This voltage range is also indicated on the rating plate,

Together with the currents occurring in this range. For this range, the permissible voltage tolerance acc. to DIN VDE 0530 and IEC 34-1 is  $\pm 5\%$ .

>	Zepher UK Ltd 31 Grange Street Stoke on Trent Staffordshire ST6 2JH
>	t: +44 (0) 1782 267777 f: +44 (0) 1782 267933
>	e: sales@zepher-uk.com w: zepher-uk.com

>	<b>EC Declaration of Conformity</b>
	<p><b>Conforms to the following directives:</b> 89/336/EEC, 89/392/EEC, 91/368/EEC, 71/23/EEC, 93/44/EEC, 93/68/EEC</p> <p><b>Standards</b> Electromagnetic Compatibility- General Emission Standard Part 2. Industrial Environment. EN292-1, EN292-2, prEN563, prEN1012-1, prEN1012-2, EN60204-1, EN294, EN349, EN50081-2, EN50082-2</p> <p><b>Machinery Directive</b> 89/392/EEC TEC FILE HB-96-001</p> <p><b>Low Voltage</b> 73/23/EEC</p> <p><b>Cound Directive</b> 89/336/EEC</p> <p><b>Annex IV EC Machinery Directive</b> AIB-VINCOTTE Inter n.f.p., Avenue A. Drouart 27-29, B-1160 Brussels</p> <p><b>ISO 9001</b> Effective October, 2003, Our Vacuum Pumps &amp; Air Blowers have been certified as meeting ISO 9001 manufacturing standards. This certification demonstrates our interest in providing our customers with the highest quality products manufactured under international standards.</p> <p><b>ISO Standards</b> ISO3266, ISO3529, ISO3744</p>