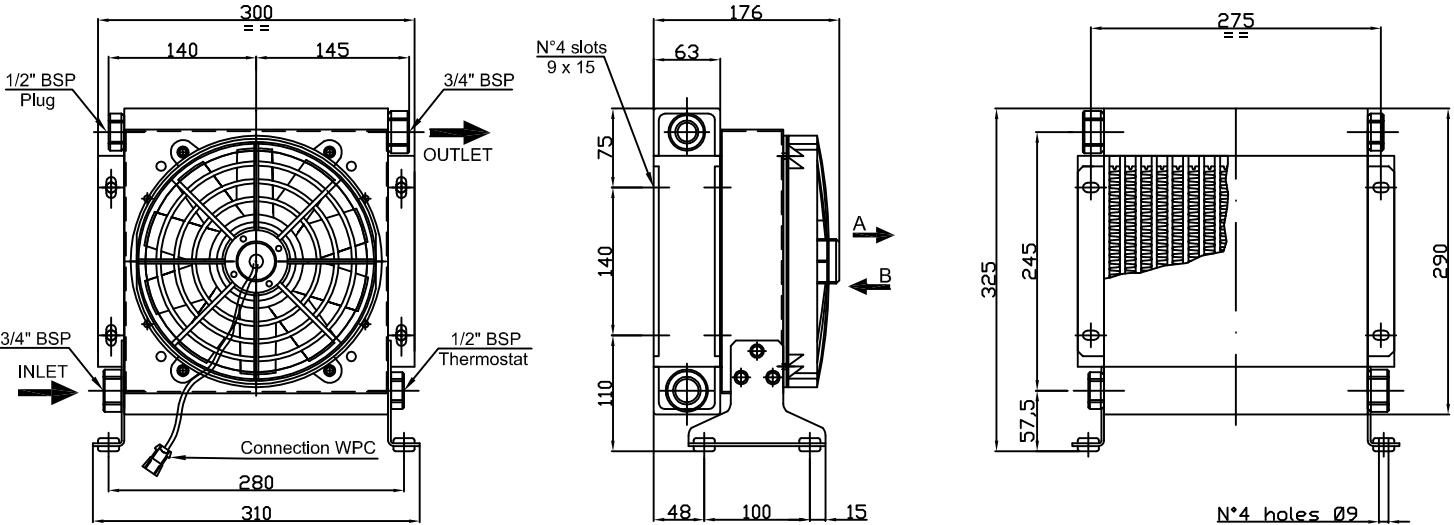
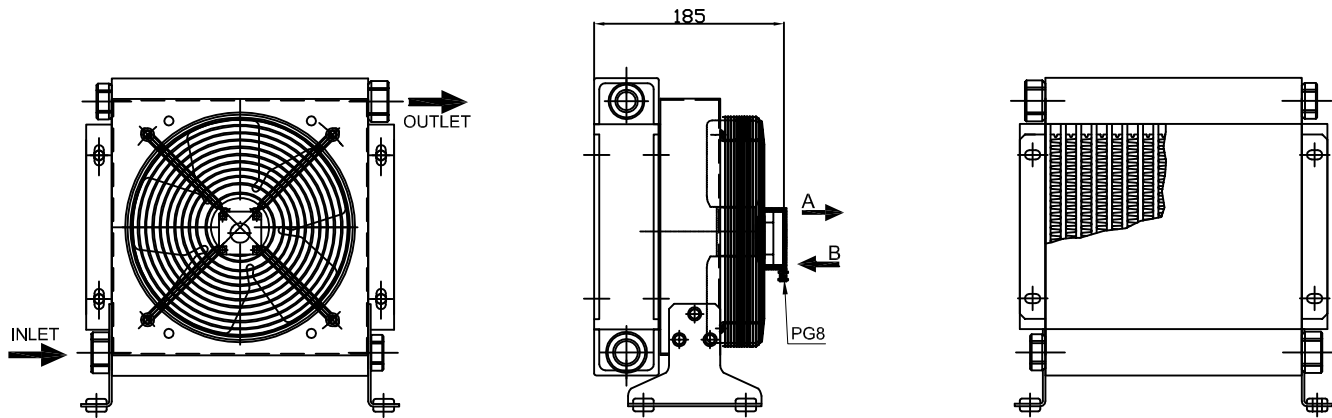


## Air - Oil coolers series CSL1

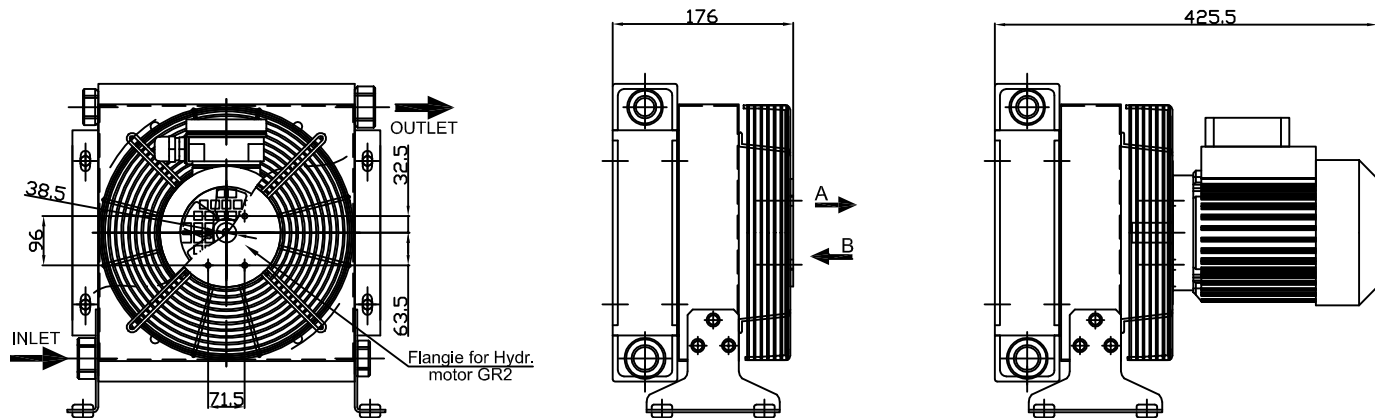
| Code         | Tension (V) | Frequency (Hz) | Rpm (N°) | Air flow (m <sup>3</sup> /h) | Power (Kw) | Current (A) | ØFan (mm) | IP Fan | Lwa (dB (A)) | Capacity (lt) | Weight (Kg) | Color Painting |
|--------------|-------------|----------------|----------|------------------------------|------------|-------------|-----------|--------|--------------|---------------|-------------|----------------|
| CSL1.12.0.00 | 12          | DC             | 3100     | 900                          | 0.090      | 5.9         | 225       | 68     | 72           | 1.9           | 5.5         | Black          |
| CSL1.24.0.00 | 24          | DC             | 3050     | 885                          | 0.100      | 2.7         | 225       | 68     | 72           | 1.9           | 5.5         | Black          |



| Code         | Tension (V) | Frequency (Hz) | Rpm (N°) | Air flow (m <sup>3</sup> /h) | Power (Kw) | Current (A) | ØFan (mm) | IP Fan | Lwa (dB (A)) | Capacity (lt) | Weight (Kg) | Color Painting |
|--------------|-------------|----------------|----------|------------------------------|------------|-------------|-----------|--------|--------------|---------------|-------------|----------------|
| CSL1.22.0.00 | 230         | 50/60          | 3200     | 810                          | 0.085      | 0.55        | 200       | 44     | 66           | 1.9           | 6           | Black          |
| CSL1.38.0.00 | 230/400     | 50/60          | 2800     | 810                          | 0.068      | 0.31        | 200       | 44     | 66           | 1.9           | 6           | Black          |



| Code         | Tension (V) | Frequency (Hz) | Rpm (N°) | Air flow (m <sup>3</sup> /h) | Power (Kw) | Current (A) | ØFan (mm) | IP Fan | Lwa (dB (A)) | Capacity (lt) | Weight (Kg) | Color Painting |
|--------------|-------------|----------------|----------|------------------------------|------------|-------------|-----------|--------|--------------|---------------|-------------|----------------|
| CSL1.G2.0.00 | //          | //             | //       | //                           | //         | //          | 200       | //     | //           | 1.9           | 6.5         | Black          |
| CSL1.40.0.00 | 230/400     | 50/60          | 1350     | 400                          | 0.250      | 0.72        | 200       | 55     | 67           | 1.9           | 10          | Black          |



Technical characteristic herein mentioned are not binding and it can be modified from Ciesse without any notice.