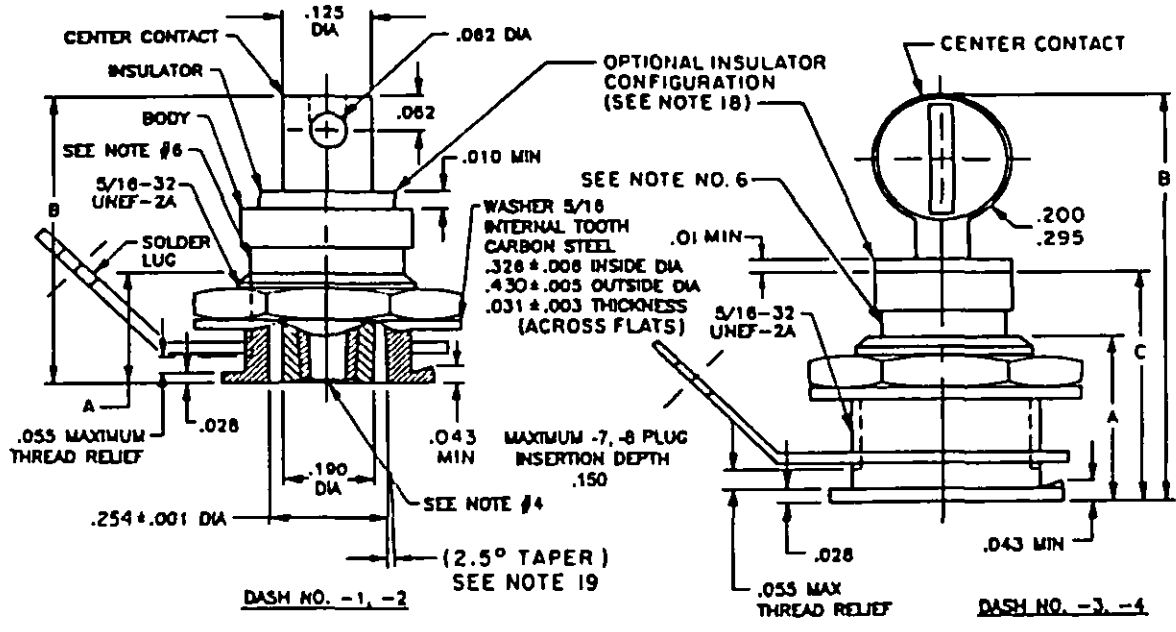
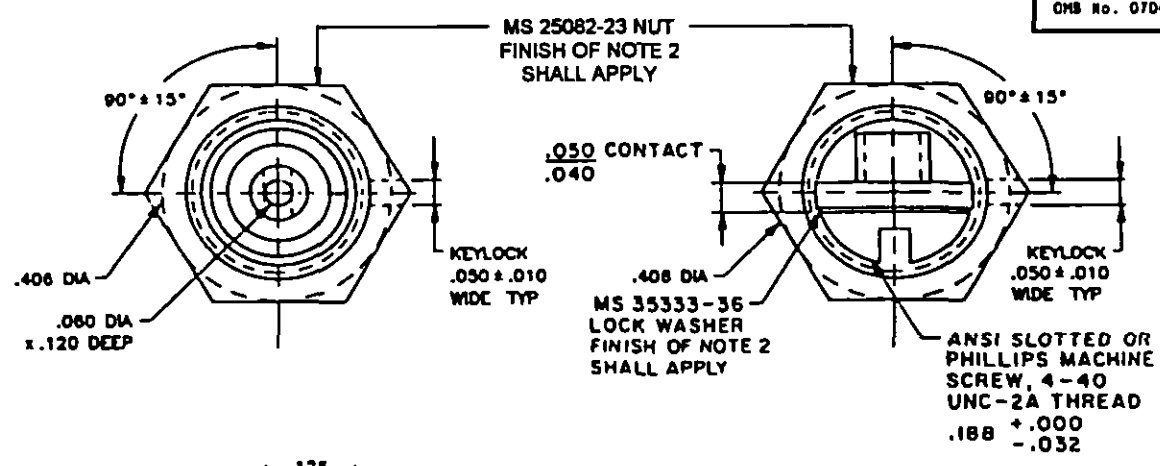
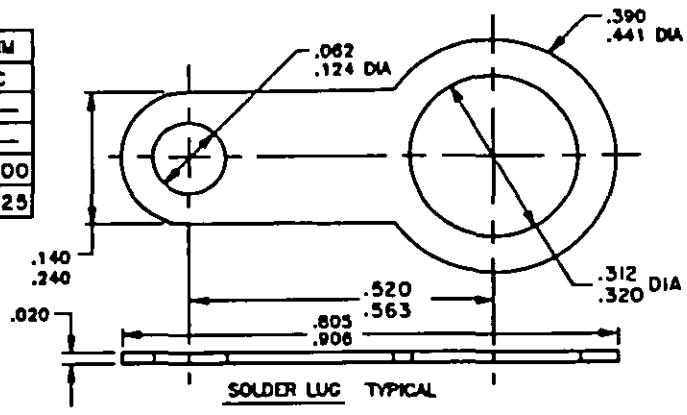


THE REQUIREMENTS FOR ACQUIRING THE PRODUCT(S) DESCRIBED HEREIN SHALL CONSIST OF THIS SPECIFICATION SHEET AND THE ISSUE OF THE FOLLOWING SPECIFICATION LISTED IN THAT ISSUE OF THE DODISS SPECIFIED IN THE SOLICITATION MIL-P-7788



DASH NO	DIMENSION		TERMINAL TYPE	DIM
	A	B		
-1	.250 ± .010	.590 MAX	SOLDER	—
-2	.375 ± .010	.718 MAX	SOLDER	—
-3	.250 ± .010	.750 MAX	SCREW	.400
-4	.375 ± .010	.875 MAX	SCREW	.525

**PANEL GROUND TYPE
RECEPTACLES CENTER
CONTACT POSITIVE**

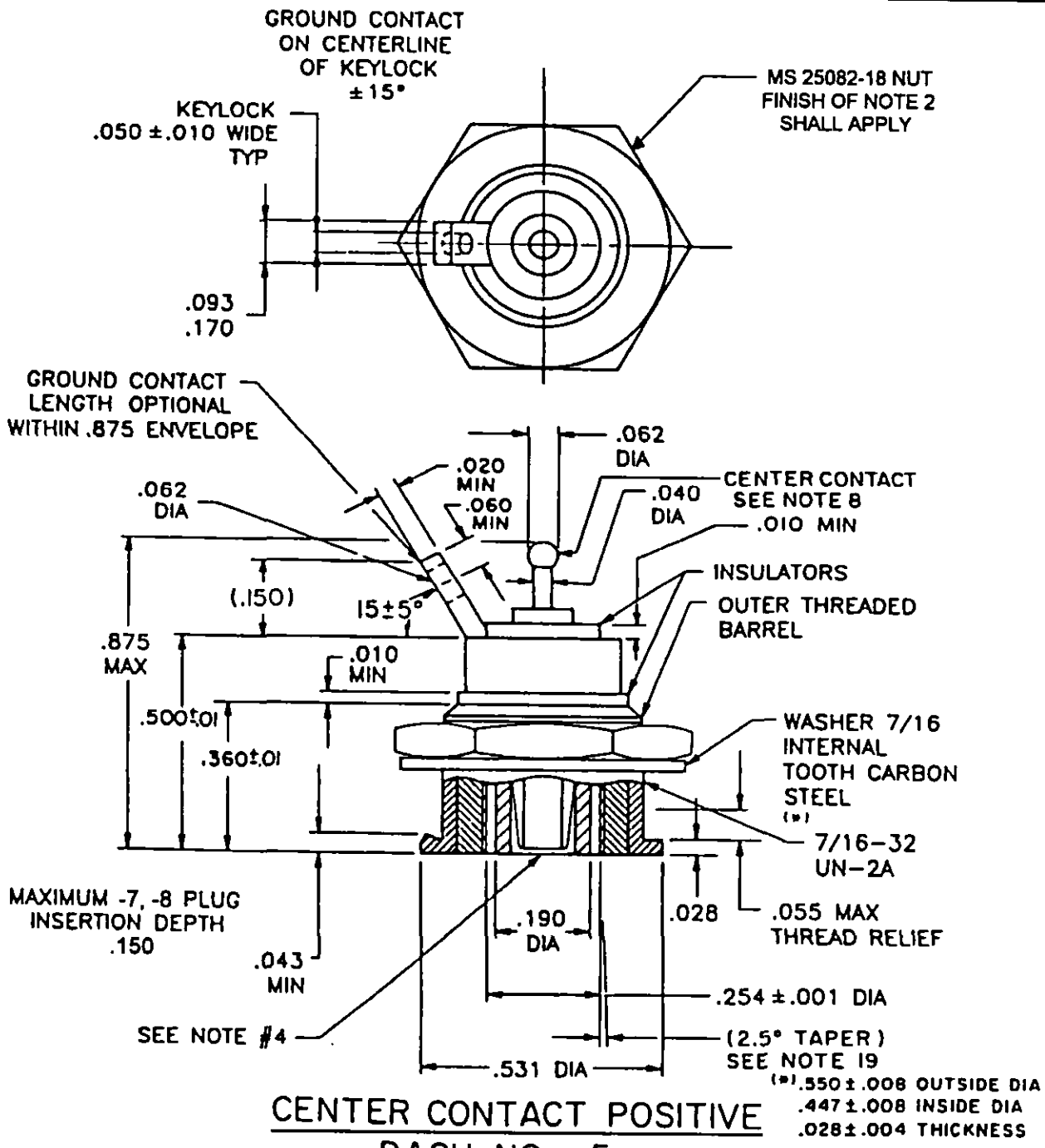


Ⓢ ENTIRE STANDARD REVISED

PREPARING ACTIVITY: NAVY-AS CUSTOMERS: ARMY-AV NAVY-AS AIR FORCE-II DIA- REVIEW: NAVY-MC, SH USER PROJECT NUMBER: 5935-N300	MILITARY SPECIFICATION SHEET TITLE: CONNECTOR, RECEPTACLES, PLUGS, ADAPTOR, EL, EMBEDDED, PRINTED CIRCUIT BOARD LAMP LIGHTING PANELS	SPECIFICATION SHEET NUMBER MS 90335D 5 JAN 96 SUPERSEDING MS 90335C 12 FEB 1990 AMSC - N/A FSC 5635
--	--	--

THIS SPECIFICATION IS APPROVED FOR USE BY ALL DEPARTMENTS AND AGENCIES OF THE DEPARTMENT OF DEFENSE

THE REQUIREMENTS FOR ACQUIRING THE PRODUCT(S) DESCRIBED HEREIN SHALL CONSIST OF THIS SPECIFICATION SHEET AND THE ISSUE OF THE FOLLOWING SPECIFICATION LISTED IN THAT ISSUE OF THE ODODSS SPECIFIED IN THE SOLICITATION; MIL-P-7788



**CENTER CONTACT POSITIVE
DASH NO. -5
ISOLATED GROUND TYPE RECEPTACLE**

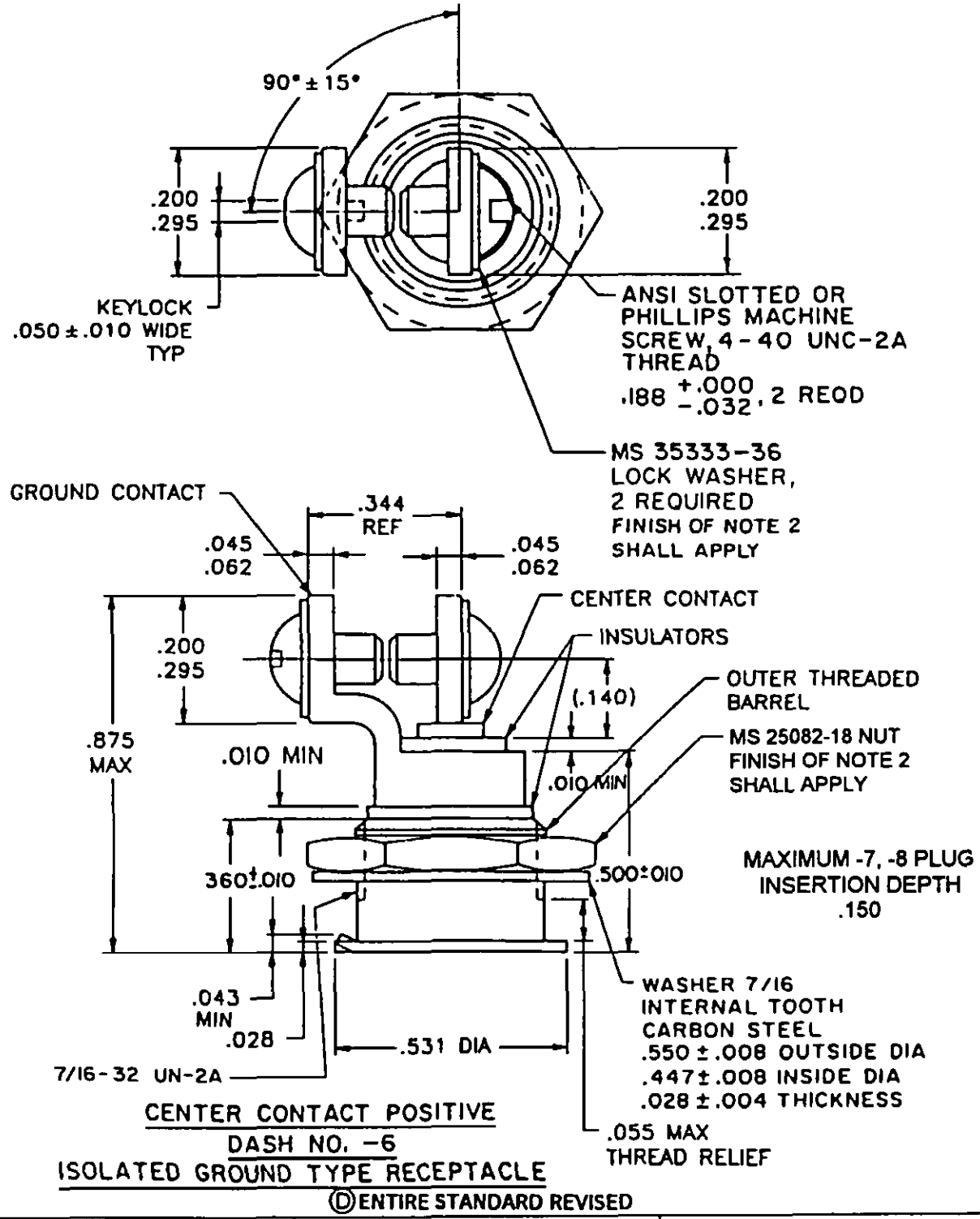
Ⓢ ENTIRE STANDARD REVISED

PREPARING ACTIVITY: NAVY-AS CUSTODIANS: ARMY-AV NAVY-AS AIR FORCE-II OLA- REVIEW: NAVY-MC, SH USER: PROJECT NUMBER: 5935-N300	MILITARY SPECIFICATION SHEET TITLE: CONNECTOR, RECEPTACLES, PLUGS, ADAPTOR, EL, EMBEDDED, PRINTED CIRCUIT BOARD LAMP LIGHTING PANELS	SPECIFICATION SHEET NUMBER MS 90335D 5 JAN 86 SUPERSEDING MS 90335C 12 FEB 1990 AMSC - N/A FSC 5935
--	--	--

DISTRIBUTION STATEMENT A. Approved for public release, distribution is unlimited Page 2 of 6

THIS SPECIFICATION IS APPROVED FOR USE BY ALL DEPARTMENTS AND AGENCIES OF THE DEPARTMENT OF DEFENSE.

THE REQUIREMENTS FOR ACQUIRING THE PRODUCT(S) DESCRIBED HEREIN SHALL CONSIST OF THIS SPECIFICATION SHEET AND THE ISSUE OF THE FOLLOWING SPECIFICATION LISTED IN THAT ISSUE OF THE DOOISS SPECIFIED IN THE SOLICITATION: MIL-P-7788

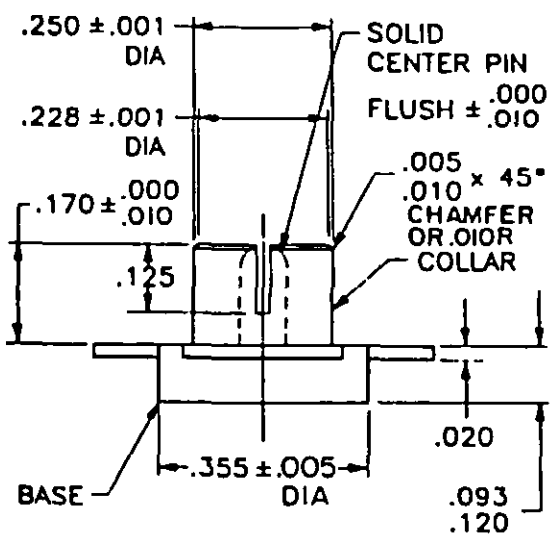
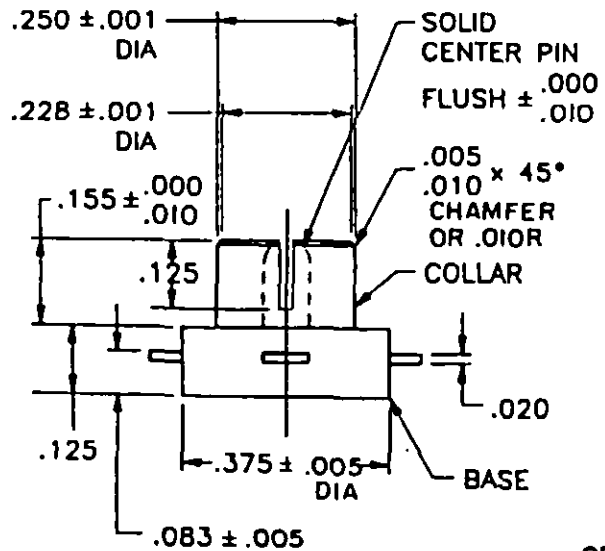
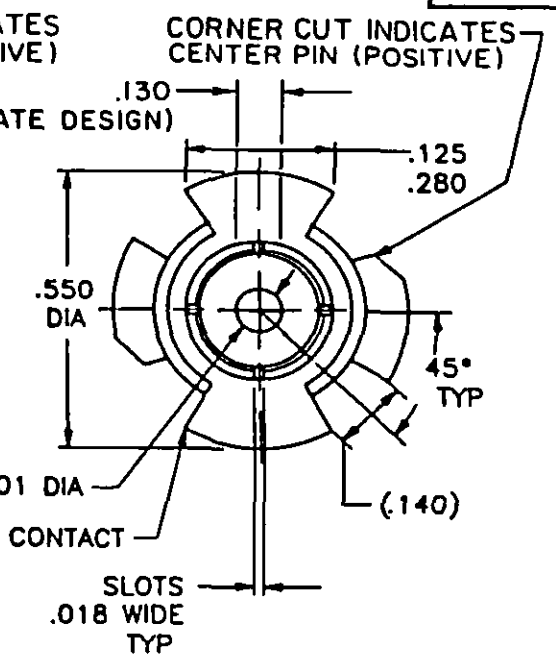
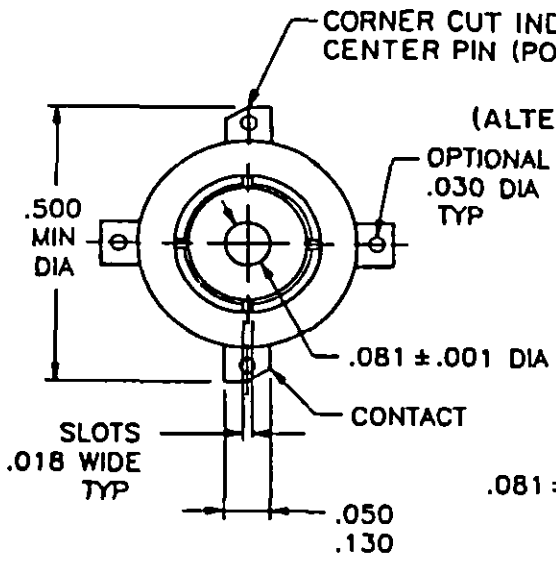


THIS SPECIFICATION IS APPROVED FOR USE BY ALL DEPARTMENTS AND AGENCIES OF THE DEPARTMENT OF DEFENSE.

PREPARING ACTIVITY: NAVY-AS CUSTODIANS: ARMY-AV NAVY-AS AIR FORCE-II DLA- REVIEW: NAVY-MC, SH USER: PROJECT NUMBER: 5935-N300	MILITARY SPECIFICATION SHEET TITLE: CONNECTOR, RECEPTABLES, PLUGS, ADAPTOR, EL, EMBEDDED, PRINTED CIRCUIT BOARD LAMP LIGHTING PANELS	SPECIFICATION SHEET NUMBER MS 90335D 5 JAN 96 SUPERSEDING MS 90335C 12 FEB 1990 AMSC - N/A FSC 5935
DISTRIBUTION STATEMENT A. Approved for public release; distribution is unlimited		Page <u>3</u> of <u>6</u>

THE REQUIREMENTS FOR ACQUIRING THE PRODUCT(S) DESCRIBED HEREIN SHALL CONSIST OF THIS SPECIFICATION SHEET AND THE ISSUE OF THE FOLLOWING SPECIFICATION LISTED IN THAT ISSUE OF THE DODISS SPECIFIED IN THE SOLICITATION: MIL-P-7788

THIS SPECIFICATION IS APPROVED FOR USE BY ALL DEPARTMENTS AND AGENCIES OF THE DEPARTMENT OF DEFENSE.



CENTER CONTACT TAB BENDS MAY BE EXPOSED.

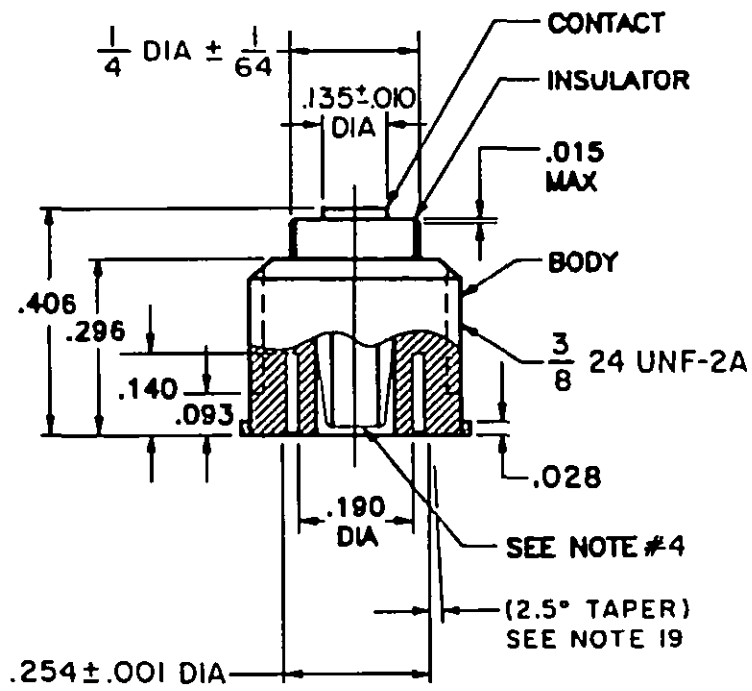
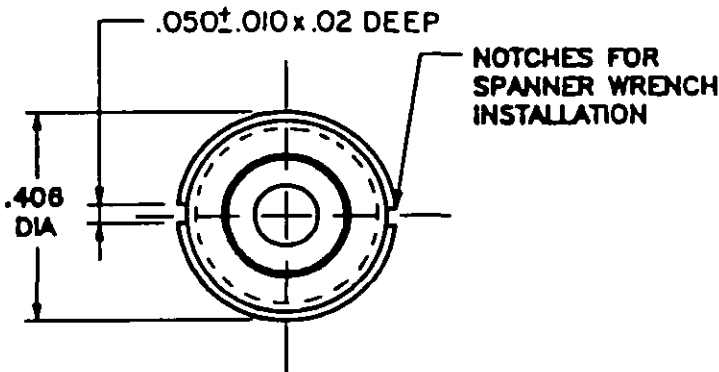
CENTER CONTACT POSITIVE
DASH NO. -7
FOR EMBEDDED
APPLICATION

CENTER CONTACT POSITIVE
DASH NO. -8
FOR PRINTED CIRCUIT
BOARD APPLICATION

Ⓒ ENTIRE STANDARD REVISED

PREPARING ACTIVITY: NAVY-AS CUSTODIANS: ARMY-AV NAVY-AS AIR FORCE-II DLA- REVIEW: NAVY-MC, SH USER PROJECT NUMBER: 5935-N300	MILITARY SPECIFICATION SHEET TITLE: CONNECTOR, RECEPTACLES, PLUGS, ADAPTOR, EL, EMBEDDED, PRINTED CIRCUIT BOARD LAMP LIGHTING PANELS	SPECIFICATION SHEET NUMBER MS 90335D 5 JAN 96 SUPERSEDING MS 90335C 12 FEB 1990 AMSC - N/A FSC 5935
---	--	---

THE REQUIREMENTS FOR ACQUIRING THE PRODUCT(S) DESCRIBED HEREIN SHALL CONSIST OF THIS SPECIFICATION SHEET AND THE ISSUE OF THE FOLLOWING SPECIFICATION LISTED IN THAT ISSUE OF THE DDORS SPECIFIED IN THE SOLICITATION: MIL-P-7780



**CENTER CONTACT POSITIVE
DASH NO. -9
ADAPTOR**

INCHES	MM
.001	.03
.002	.05
.003	.08
.004	.10
.005	.13
.006	.15
.010	.25
.015	.38
.018	.46
.020	.51
.028	.71
.030	.76
.031	.79
.032	.81
.040	1.02
.043	1.09
.045	1.14
.050	1.27
.055	1.40
.060	1.52
.062	1.57
.070	1.78
.081	2.06
.083	2.11
.093	2.36
.100	2.54
.120	3.05
.124	3.15
.125	3.18
.130	3.30
.135	3.43
.140	3.56
.155	3.91
.170	4.32
.188	4.78
.190	4.83
.200	5.08
.210	5.33
.228	5.79
.240	6.10
.250	6.35
.257	6.40
.254	6.45
.280	7.11
.290	7.37
.295	7.49
.296	7.52
.297	7.54
.310	7.87
.312	7.92
.320	8.13
.326	8.28
.344	8.74
.355	9.02
.360	9.14
.375	9.52
.390	9.91
.400	10.16
.406	10.31
.430	10.92
.437	11.10
.441	11.20
.500	12.70
.520	13.21
.525	13.34
.531	13.49
.550	13.97
.563	14.30
.577	14.66
.590	14.99
.715	18.16
.718	18.24
.750	19.05
.805	20.45
.875	22.23
.906	23.01

Ⓢ ENTIRE STANDARD REVISED

PREPARING ACTIVITY: NAVY-AS
 CUSTODIANS: ARMY-AV, NAVY-AS, AIR FORCE-II, OLA-
 REVIEW: NAVY-MC, SH
 USER:
 PROJECT NUMBER: 5935-N300

MILITARY SPECIFICATION SHEET
 TITLE: CONNECTOR, RECEPTACLES, PLUGS, ADAPTOR, EL, EMBEDDED, PRINTED CIRCUIT BOARD LAMP LIGHTING PANELS

SPECIFICATION SHEET NUMBER
MS 90335D 5 JAN 68
 SUPERSEDING
 MS 90335C 12 FEB 1990
 AMSC - N/A FSC 5935

DISTRIBUTION STATEMENT A. Approved for public release; distribution is unlimited. Page 5 of 6

THIS SPECIFICATION IS APPROVED FOR USE BY ALL DEPARTMENTS AND AGENCIES OF THE DEPARTMENT OF DEFENSE.

NOTES:

1. MATERIAL: DASH NO. -1, -2, -3, -4, -5, -6, -8: BODY - BRASS PER ASTM B16, TEMPER H02; INSULATOR - POLYTETRAFLUORAETHYLENE PER ASTM D1710; CENTER CONTACT - BERYLLIUM COPPER PER ASTM B196, TEMPER TD04, HEAT TREAT PER MIL-H-7198.
DASH NO. -1, -2, -3, -4: SOLDER LUG - BRASS PER ASTM B36, TEMPER H02.
DASH NO. -6, -8: GROUND CONTACT - BRASS PER ASTM B16, TEMPER H02.
DASH NO. -7: CENTER PIN - BRASS PER ASTM B16, TEMPER H02; COLLAR - BERYLLIUM COPPER PER ASTM B196, TEMPER TD04, HEAT TREAT PER MIL-H-7198. BASE INSULATOR - METHACRYLATE PER L-P-390, CLEAR; ALTERNATE BASE INSULATORS - POLYVINYLIDENE FLUORIDE PER MIL-P-48122B, TYPE I, GRADE E, NATURAL; POLYCARBONATE PER ASTM D3833 PC110B30720E01F02, CLEAR.
DASH NO. -8: CENTER PIN - BRASS PER ASTM B16, TEMPER H02; COLLAR - BERYLLIUM COPPER PER ASTM B196, TEMPER TD04, HEAT TREAT PER MIL-H-7198; BASE INSULATOR - POLYVINYLIDENE FLUORIDE PER 48122B, TYPE I, GRADE E, NATURAL.
2. FINISH: DASH NO. -1, -2, -3, -4, -5, -6, -7, -8: CENTER & GROUND CONTACTS - GOLD PLATED PER MIL-G-45204, TYPE II, GRADE C, CLASS 0 (.000030 MIN THK), OVER COPPER STRIKE PER MIL-C-14660.
DASH NO. -1, -2, -3, -4, -5, -6, -8: HARDWARE - ELECTRODEPOSITED NICKEL PER QQ-N-290, CLASS 1, GRADE F (.0004), OVER COPPER PER MIL-C-14660.
DASH NO. -6, -8: OUTER THREADED BARREL - ELECTRODEPOSITED NICKEL PER QQ-N-290, CLASS 1, GRADE F (.0004 THK), OVER COPPER PER MIL-C-14660.
DASH NO. -1, -2, -3, -4: SOLDER LUG - TIN PLATED PER MIL-T-10727, TYPE I (ELECTRODEPOSITED), .0003-.0008 THK OVER COPPER FLASH PER MIL-C-14480.
3. DIMENSIONS IN INCHES. TOLERANCES: DECIMALS ±.005 UNLESS OTHERWISE SPECIFIED. DRAWINGS NOT SHOWN TO SCALE.
4. DASH NO. -1, -2, -3, -4, -5, -6, -8: FEMALE CENTER CONTACT FINGERS CLOSED DOWN UNIFORMLY TO MEET 4 OZ MINIMUM WITHDRAWAL FORCE WITH .079 DIA PIN, BEFORE AND AFTER 3 INSERTIONS OF .082 DIA PIN. TO ENSURE ELECTRICAL CONTINUITY, BODY OF DASH NO. -1, -2, -3, -4, -5, -6 SHALL MEET A MINIMUM WITHDRAWAL FORCE OF 1 LB. WHEN MATED WITH -7, -8 PLUG WITH CENTER CONTACT REMOVED AND INSERTED TO MINIMUM INSERTION DEPTH OF .130 FOR -7, .125 FOR -8.
5. WHEN MATED WITH -7, -8 PLUG THAT HAS BEEN INSERTED TO .140 ±.006 DEPTH THE WITHDRAWAL FORCE SHALL NOT EXCEED 10 LBS. AND SHALL NOT BE LESS THAN 3 LBS.
6. CAPTIVATION OF INSULATOR AND CENTER CONTACT WILL MAINTAIN 12 POUNDS FORCE WHEN APPLIED FROM INTERFACE END.
7. DASH NO. -8: SCREW LOCATIONS OPTIONAL PROVIDING MAXIMUM LENGTH OF .875 IS NOT EXCEEDED.
8. CENTER CONTACT OF -8 MAY BE SAME AS CENTER CONTACT ON DASH NUMBERS -1, -2, -5.
9. DASH NO. -7, -8: COLLAR TO HAVE MINIMUM OF 4 SLOTS AND MAXIMUM OF 6 SLOTS.
10. DASH NO. -8: ALL 4 CONTACTS SHOULD BE FULLY SOLDERED TO PRINTED CIRCUIT BOARD. VARIATION IN SOLDER TAB SIZE (.125-.200) IS INTENDED TO ALLOW FOR SPACE LIMITATIONS: FOR NEW DESIGN THE LARGER TAB AS SHOWN ON THE DRAWING IS PREFERRED. OPTIONAL CONSTRUCTION: PLUG COLLAR MAY SCREW INTO BASE PROVIDING MATING INTERFACE DIMENSIONS ARE MAINTAINED. FINAL PART MUST BE ASSEMBLED TOGETHER USING CONDUCTIVE CEMENT AND OFFER .130-.135 INSERTION DEPTH INTO FEMALE RECEPTACLE.
11. DASH NO. -8: ADAPTOR FOR CONVERTING TYPE III INFORMATION PLATES TO TYPE IV, TYPE V OR TYPE VI INFORMATION PLATES.
12. DASH NO. -1, -2, -3, -4: TO INCORPORATE SOLDER LUG PER DASH NUMBER SHEET FOR GROUNDING PURPOSES. SEE MIL-P-7788 FOR INTENDED USE.
13. DASH NO. -1, -2, -3, -4, -5, -6, -8: MANUFACTURER'S IDENTIFICATION TO BE PERMANENTLY STAMPED IN METAL PART OF RECEPTACLE.
14. THIS DRAWING IS APPLICABLE FOR MIL-P-7788 PANELS UTILIZING A SINGLE ELECTRICAL CIRCUIT. ALL MIL-P-7788 PANELS WHICH REQUIRE MULTIPLE ELECTRICAL CIRCUITS SHALL USE MIL-C-66302/108 AND /109 CONNECTOR PLUG AND RECEPTACLE. MIL-C-66302/108/109 MAY ALSO BE USED FOR SINGLE CIRCUIT LIGHT PANELS.
15. METRIC EQUIVALENTS (TO THE NEAREST .01 MM) ARE GIVEN FOR GENERAL INFORMATION ONLY AND ARE BASED UPON 1 INCH = 25.4 MM.
16. REFERENCED DOCUMENTS SHALL BE OF THE ISSUE IN EFFECT ON DATE OF INVITATIONS FOR BIDS, OR REQUEST FOR PROPOSAL, EXCEPT THAT REFERENCED ADOPTED INDUSTRY DOCUMENTS SHALL GIVE THE DATE OF THE ISSUE ADOPTED.
17. FOR DESIGN FEATURE PURPOSES, THIS STANDARD TAKES PRECEDENCE OVER PROCUREMENT DOCUMENTS REFERENCED HEREIN.
18. INSULATOR SHALL NOT EXCEED DIAMETER OF BODY.
19. ANGULAR TOLERANCE OF 2.5 DEG. TAPER IS CONTROLLED BY THE REQUIREMENTS OF NOTE 5.
20. THE CURRENT CAPABILITY OF THE MS90336 IS REGULATED BY THE CURRENT CAPACITY OF THE WIRE USED.
21. MANUFACTURERS ARE PERMITTED TO SUPPLY MS90336C CONNECTORS UNTIL 8 JANUARY 1997 OR DEplete THEIR INVENTORIES, WHICHEVER COMES FIRST.

Ⓢ ENTIRE STANDARD REVISED

PREPARING ACTIVITY: NAVY-AS
CUSTODIANS: ARMY-AV NAVY-AS
AIR FORCE-II DIA-
REVIEW: NAVY-MC, SH
USER:
PROJECT NUMBER: 5935-N300

MILITARY SPECIFICATION SHEET
TITLE: CONNECTOR, RECEPTACLES,
PLUGS, ADAPTOR, EL, EMBEDDED,
PRINTED CIRCUIT BOARD LAMP
LIGHTING PANELS

SPECIFICATION SHEET NUMBER
MS 90335D 5 JAN 96
SUPERSEDING
MS 90335C 12 FEB 1990
AMSC - N/A FSC 5935

THE REQUIREMENTS FOR ACQUIRING THE PRODUCT(S) DESCRIBED HEREIN SHALL CONSIST OF THIS SPECIFICATION SHEET AND THE ISSUE OF THE FOLLOWING SPECIFICATION LISTED IN THAT ISSUE OF THE DODISS SPECIFIED IN THE SOLICITATION: MIL-P-7788

THIS SPECIFICATION IS APPROVED FOR USE BY ALL DEPARTMENTS AND AGENCIES OF THE DEPARTMENT OF DEFENSE.

FORM 90335D-100