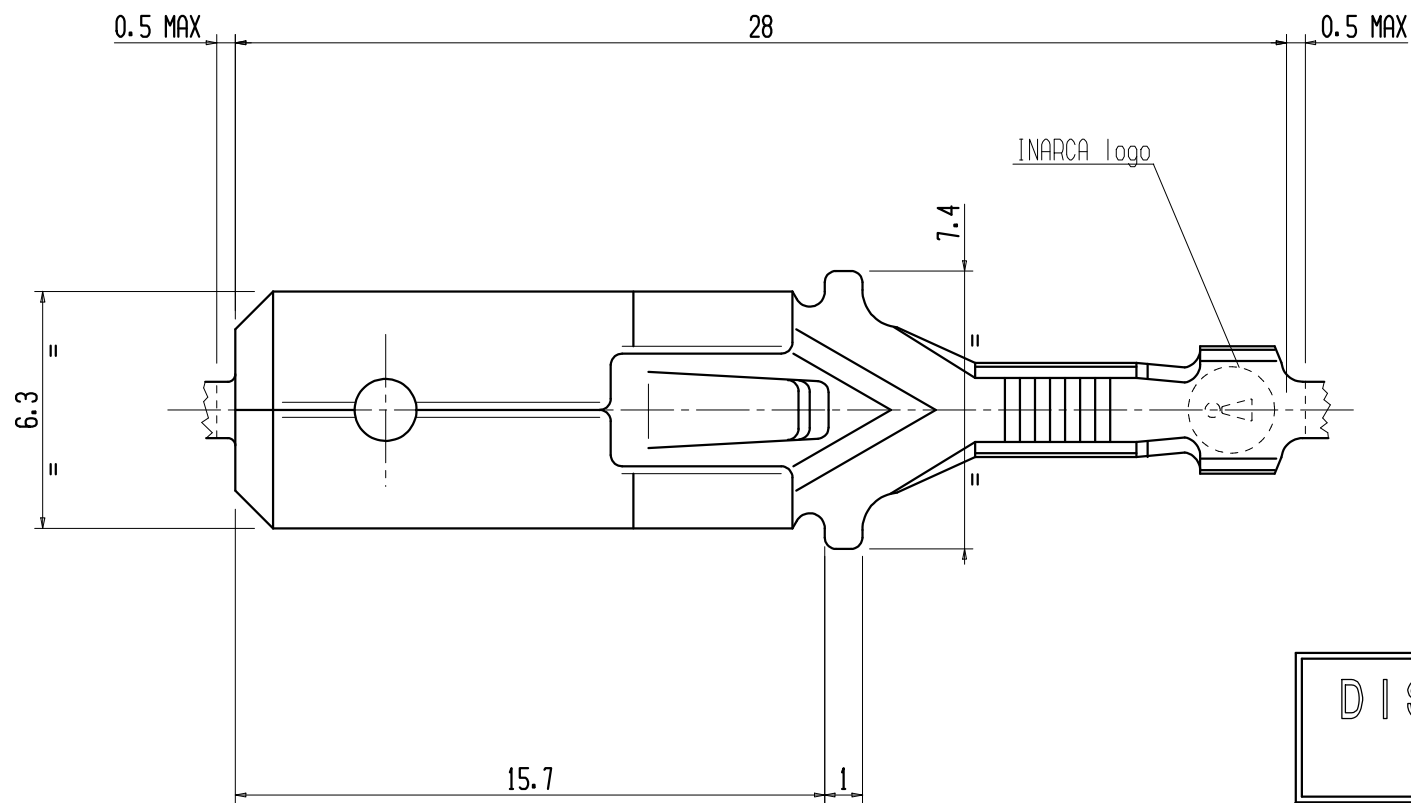
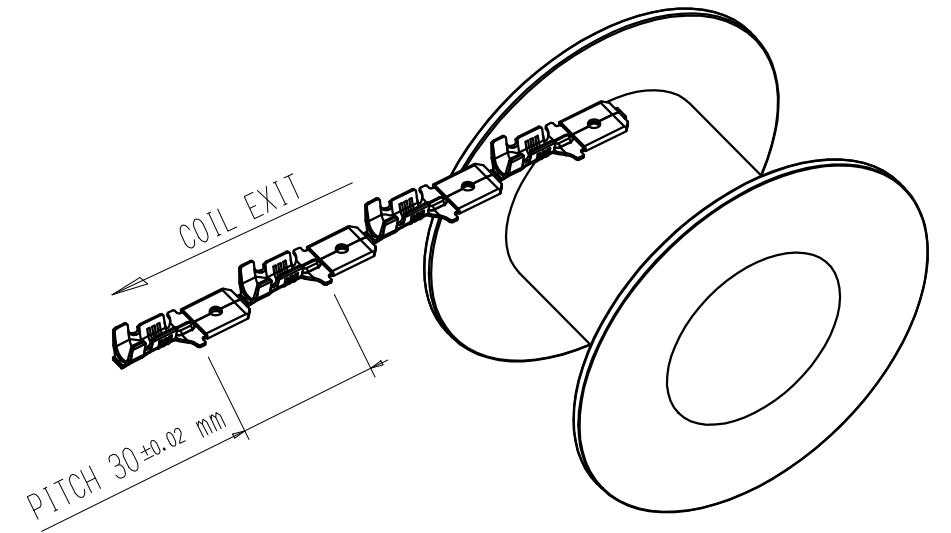


- 01 Mating with female terminal 6.3x0.8 mm (DIN46340)
- 02 Crimping wire section: 0,25 - 0,75 mmq
 Boot diameter: 1,5 - 2,2 mm
 Seamed with frontal mini-applicator code AT750211546



DISEGNO PER CLIENTE
SOLO PER RIFERIMENTO

CUSTOMER DRAWING
FOR REFERENCE ONLY

ORDER N.	GENERAL TOLERANCE	Angularity	Non Dimensioned Edges	Surface Roughness
DRAWING N. PL11546	MATERIAL			
VERSION 2 MOD. INDEX	HEAT TREATMENT			
PROJECT	FINISHING			
	LINEAR TOLERANCE ISO J13	TOLERANCES UNLESS OTHERWISE SPECIFIED ±0.2 mm		



RED. COPPO	DT. 07/01/2004
APP. TONIOLO	DT. 28/08/2020
RIL. TONIOLO	DT. 28/08/2020
PUB.	DT.

NAME TAB 6.3X0.8 FOR MULTI-WAY CONNECTIONS (WITH TOOTH AND HOLE) 0.25-0.75

INARCA S.p.a. PADOVA ITALY ACCORDING TO THE LAW RESERVES THE RIGHT OF PROPERTY OF THE PRESENT DRAWING AND ITS REPRODUCTION AND/OR TRANSMISSION WITHOUT EXPRESS AUTHORIZATION BY THE COMPANY IS FORBIDDEN.

0011546201	CuZn	TinPlated	
0011546001	CuZn	-	
0111546201	CuSn	TinPlated	
0111546001	CuSn	-	
CODE	MATERIAL	SURFACE FINISH	VALIDATION