

Itron ACD G1.6 Diaphragm Gas Meter

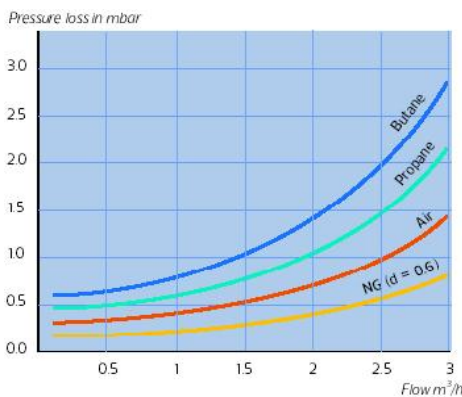


Description

The Itron ACD G1.6 diaphragm gas meter is a compact aluminum case positive displacement meter designed to accurately measure natural gas, LPG and other non-corrosive dry gases. For the N. American & Caribbean market a single version is available with metric readout and capacity up to 3 m3/hr. The meter has an odometer type index that totalizes volume in m3 down to 3 decimal points.

Applications

The ACD G1.6 meters are widely used as test meters for flue gas analysis, stack sampling, pollution control measurement and as laboratory dry test meters. The ACD G1.6 is ideal for EPA compliance testing or LPG metering.



For Sales & Service Contact:

41 Magnolia Avenue
Cambridge MA 02138
Phone: (617) 290-2134
Fax: (240) 250-8907

Follin Flo-Controls

www.FollinFlo-Controls.com
sales@FollinFlo-Controls.com

Doc. Ref: 08051406 ACD G1.6 Bulletin v. 3

5 Heritage Hill Rd.
Norwalk, CT 06851
Phone: (203) 845-0593
Fax: (203) 846-3825

Operating Specifications / Tech Data

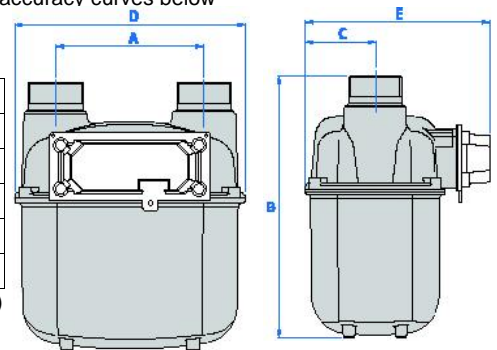
Manufacturer:	Itron
Model:	ACD G1.6 – ARG (#972000031)
Size:	G1.6
Index:	Metric (00000.000m3)
Connection*:	G 3/4" ISO 228/1 straight thread
Interaxis	110 mm (4.33")
Case Material	Aluminum
Cyclic Vol:	0.7 dm3
Qmax:	2.5 m3/hr (88 ft3/hr)
Qmin:	0.016 m3/hr (.565 ft3/hr)
P max:	1.0 Bar =100 kPa (14.5 PSI)
Op. Temp.	-20°C to +50°C (-4°F to +122°F)
Pulser:	Optional, 12V max, 10mA
Pulse value:	Std. 1 pulse = 1m3
Color:	Gray

see pressure loss and accuracy curves below

Dimensions

	inch	mm
A	4.33	110
B	7.87	200
C	2.19	55.5
D	7.00	178
E	5.80	147

Weight: 3.3 lbs(1.48 kg)



Installation Considerations

The hubs on top of the meter are G3/4" ISO 228/1 straight connections. *Meter is sold with mating gaskets, G3/4" Nut and G 3/4" x G1/2" male swivel. Optional G 3/4" x 3/8"NPT or G 3.4" x 1/2" NPT Female swivel set is available at additional cost. A Swagelok tube fitting can also be added.

Optional Accessories & Services

Pulse output, Calibration Service

