

PDS01.06.001

**DESIGN**

Body	Flangeless wafer type - lugged
End Connection	EN 1092 PN 6, 10 and 16 ASME B16.5 cl. 150 / B16.47 cl. 150 MSS SP 44 cl. 150 AWWA C207 cl. B, D and E BS 10 table D and E
Face to Face	EN558-1/2 Series 20 API 609 Cat. A
Body Seat	Non replaceable Lining bonded to the body
Shaft Seal Design	O-ring bush
Driving Shaft	With indication for position of the disc
Special Design Options	-

**TESTING PROCEDURES**

Shell strength test	EN 12266-1, P10 ISO 5208 API 598
Shell tightness test	EN 12266-1, P11 ISO 5208 API 598
Seat tightness test	EN 12266-1, P12, Rate A ISO 5208, Rate A API 598
Operability test	EN 12266-2, F20 ISO 5208 API 598

**OPTIONS**

Anti-Static Design	In accordance with EN 736/3 and API 609
--------------------	---

**FUNCTIONAL CHARACTERISTICS**

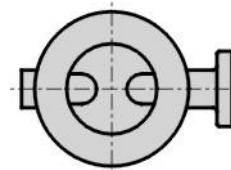
Application	On/off, regulating, control valve
Design pressure PS	Maximum 16 bar
Design temp. TS	-20°C (-4°F) to +200° (392°F)
Flow velocity	Max. 5 m/s for liquids, max. 50 m/s for gases
Seat tightness rate	Bi-directional - ISO 5208 rate A

**MARKING & CERTIFICATION**

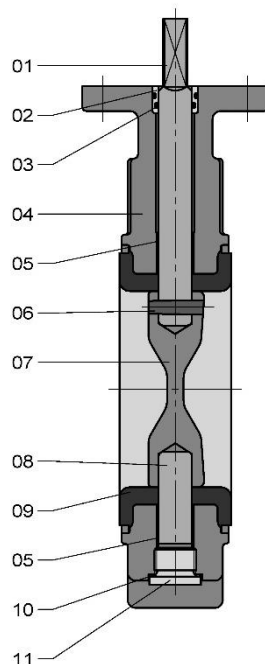
Marking	EN 19, MSS SP 25
Certification	EN 10204 - 2.2, 3.1, 3.2

**PRODUCT DATA**

General Description	BUTTERFLY VALVE - Centric rubber lined
Design Code	EN 593
Size Range	DN 50 - 1200, NPS 2"- 48"
Maximum Pressure	16 bar (optional 20/25 bar)

**PREFERRED POSITION WHEN INSTALLED IN HORIZONTAL PIPELINE**

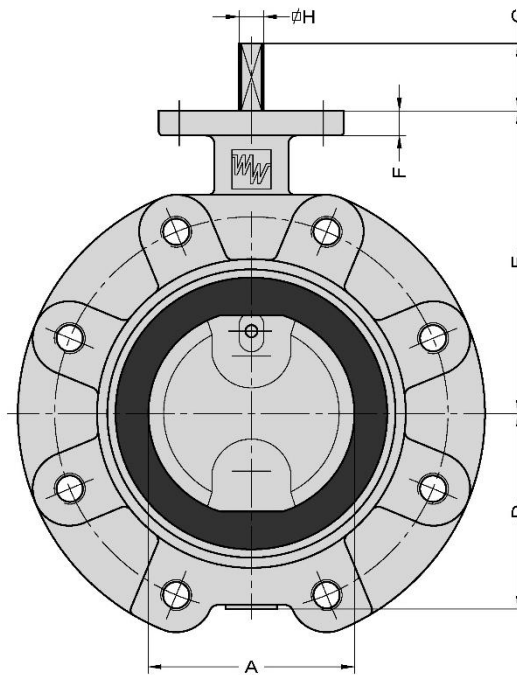
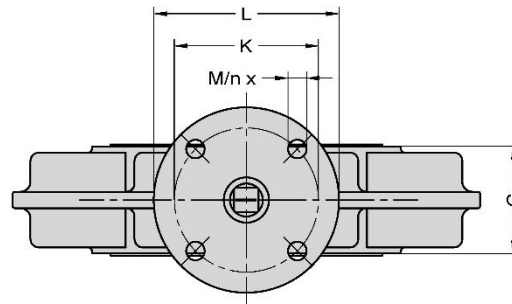
## PARTS LIST - EVTLS 50-350 (2"-14")



Item	Description	Material <sup>(1)</sup>	EN/DIN	Comparable ASTM
01	Shaft	Duplex SS Martensitic SS Aluminium Bronze Monel K500 <sup>®</sup> Hastelloy-C <sup>®</sup>	1.4462, EN 10088 1.4057, EN 10088 CuAl10Ni5Fe4, EN/DIN 17665 NA 18, BS 3076 -	A 182, Grade F51 A 276, Grade 431 B 150, C63000 - B 547, NI0276
02	Bush	Bronze	-	
03	O-ring	EPDM NBR FPM		
04	Body	Ductile Iron Ductile Iron (low temp.) Carbon Steel	JS 1030, EN 1563 JS 1049, EN 1563 1.0619, EN 10213	A 395, 60-40-18 - A 216, WCB
05	Bearing	St. / PTFE Lining Bronze / PTFE Lining		
06	Conical pin	See ITEM 01	See ITEM 01	See ITEM 01
07	Disc	Duplex SS Martensitic SS Ductile Iron / Rilsan coated <sup>(2)</sup> Aluminium Bronze Hastelloy-C <sup>®</sup>	1.4462, EN 10088 1.4057, EN 10088 JS 1030, EN 1563 G-CuAl10Ni, DIN 1714 -	A 182, Grade F51 A 276, Grade 431 A 395, 60-40-18 B 148, C95800 A 494, CW-12MW
08	Shaft	See ITEM 01	See ITEM 01	See ITEM 01
09	Lining	EPDM NBR FPM		
10	Sealing ring	Cu		
11	Plug	St./Zn5C		

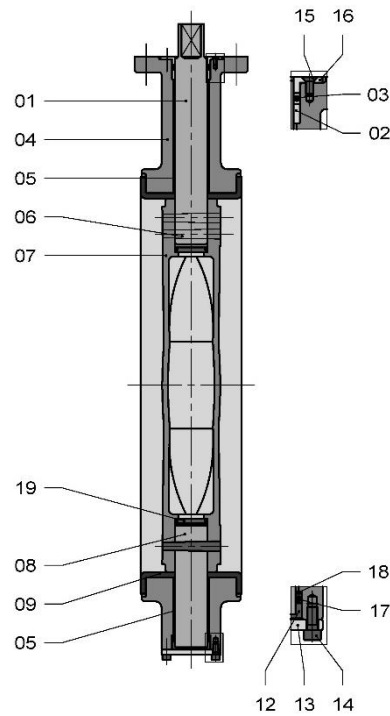
<sup>(1)</sup> Other materials on request<sup>(2)</sup> For DN 250 and DN 300

**DIMENSIONS - EVTLS 50-350 (2"-14")**



DN	NPS	A	B	C	D	E	F	G	H	ISO 5211	K	L	M	n	MASS ±kg
50	2"	50	100	43	63	118	12	34	10	F07	70	90	9	4	8
65	2½"	65	115	46	71	126	12	34	10	F07	70	90	9	4	9
80	3"	80	130	46	78	133	12	34	10	F07	70	90	9	4	10
100	4"	100	150	52	98	147	12	34	12	F07	70	90	9	4	12
125	5"	125	182	56	109	160	12	34	12	F07	70	90	9	4	16
150	6"	150	210	56	133	180	14	34	16	F07	70	90	9	4	20
200	8"	200	262	60	158	204	14	34	16	F07	70	90	9	4	25
250	10"	250	315	68	194	245	15	45	24	F10	102	125	11	4	28
300	12"	300	371	78	219	270	15	45	24	F10	102	125	11	4	36
350	14"	336	405	78	256	315	15	45	24	F10	102	125	11	4	50

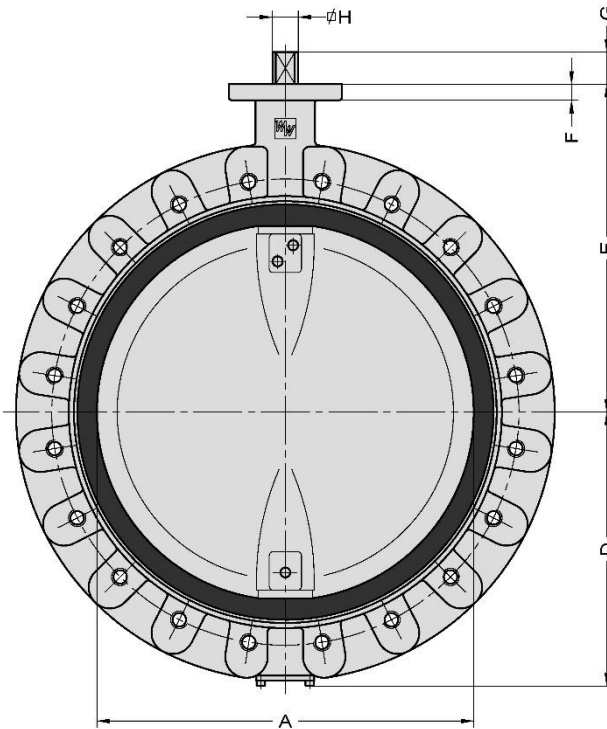
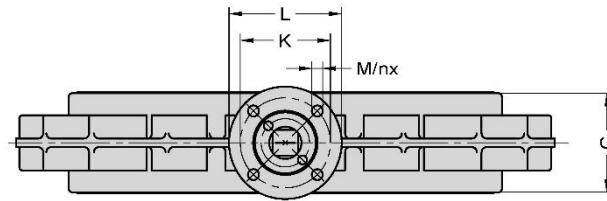
## PARTS LIST - EVTLS 400-1000 (16"-40")



Item	Description	Material <sup>(1)</sup>	EN/DIN	Comparable ASTM
01	Shaft	Duplex SS Martensitic SS Aluminium Bronze Monel K500 <sup>†</sup> Hastelloy-C <sup>†</sup>	1.4462, EN 10088 1.4057, EN 10088 CuAl10Ni5Fe4, EN/DIN 17665 NA 18, BS 3076 -	A 182, Grade F51 A 276, Grade 431 B 150, C63000 - B 547, NI0276
02	Bush	Bronze	-	
03	O-ring	EPDM NBR FPM		
04	Body	Ductile Iron Ductile Iron (low temp.) Carbon Steel	JS 1030, EN 1563 JS 1049, EN 1563 1.0619, EN 10213	A 395, 60-40-18 - A 216, WCB
05	Bearing	St. / PTFE Lining Bronze / PTFE Lining		
06	Conical pin	See ITEM 01	See ITEM 01	See ITEM 01
07	Disc	Austenitic SS <sup>(2)</sup> Duplex SS <sup>(3)</sup> Martensitic SS <sup>(4)</sup> Ductile Iron / Rilsan coated Aluminium Bronze Hastelloy-C <sup>†</sup> <sup>(5)</sup> CuNi <sup>(3)</sup>	1.4408, EN 10213 1.4462, EN 10088 1.4057, EN 10088 JS 1030, EN 1563 G-CuAl10Ni, DIN 1714 - 2.0835, DIN 17658	A 351, CF8M A 182, Grade F51 A 276, Grade 431 A 395, 60-40-18 B 148, C95800 A 494, CW-12MW -
08	Shaft	See ITEM 01	See ITEM 01	See ITEM 01
09	Lining	EPDM NBR FPM		
12	Axial bearing	Bronze		
13	Cover plate	St./Zn5C		
14	Cylinder head screw	St./Zn5C		
15	Counter sunk screw	St./Zn5C		
16	Collar bearing	Bronze		
18	Ring	Bronze		
19	Sealing plate	St./NBR St./FPM		

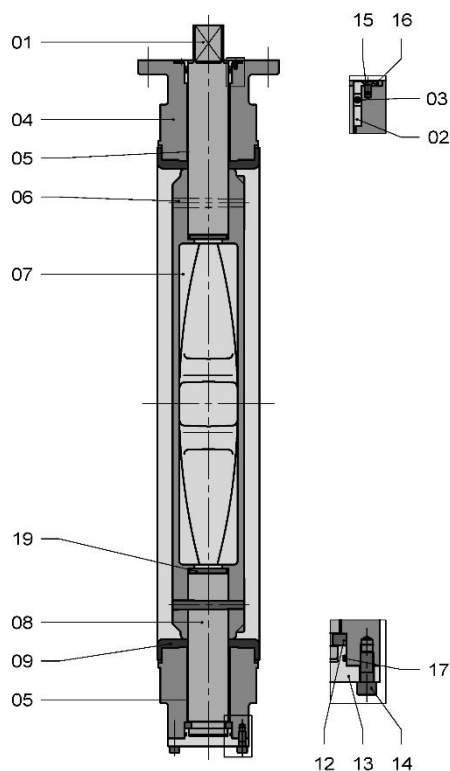
<sup>(1)</sup> Other materials on request<sup>(2)</sup> for  $\geq$  DN 700<sup>(3)</sup> forged  $\leq$  DN 600, casted  $\geq$  DN 700, material 1.4517, EN 10213 (ASTM A 351, CD-4MCu)<sup>(4)</sup> forged  $\leq$  DN 600<sup>(5)</sup>  $\leq$  DN 500

**DIMENSIONS - EVTLS 400-1000 (16"-40")**



DN	NPS	A	B	C	D	E	F	G	H	ISO 5211	K	L	M	n	MASS ±kg
400	16"	386	470	102	308	363	25	50	30	F14	140	175	17	4	85
450	18"	436	522	114	334	388	25	50	30	F14	140	175	17	4	105
500	20"	486	576	127	360	413	25	50	30	F14	140	175	17	4	130
600	24"	586	672	154	426	510	25	50	40	F14	140	175	17	4	205
700	28"	686	776	165	480	560	25	60	46	F16	165	210	21	4	325
750	30"	736	826	190	520	585	25	60	46	F16	165	210	21	4	385
800	32"	786	880	190	525	610	25	60	46	F16	165	210	21	4	625
900	36"	886	980	203	635	690	30	90	60	F25	254	300	17	8	
1000	40"	986	1085	216	685	740	30	90	60	F25	254	350	17	8	950
1000	40"	986	1085	216	685	740	30	90	60	F30	298	350	21	8	950

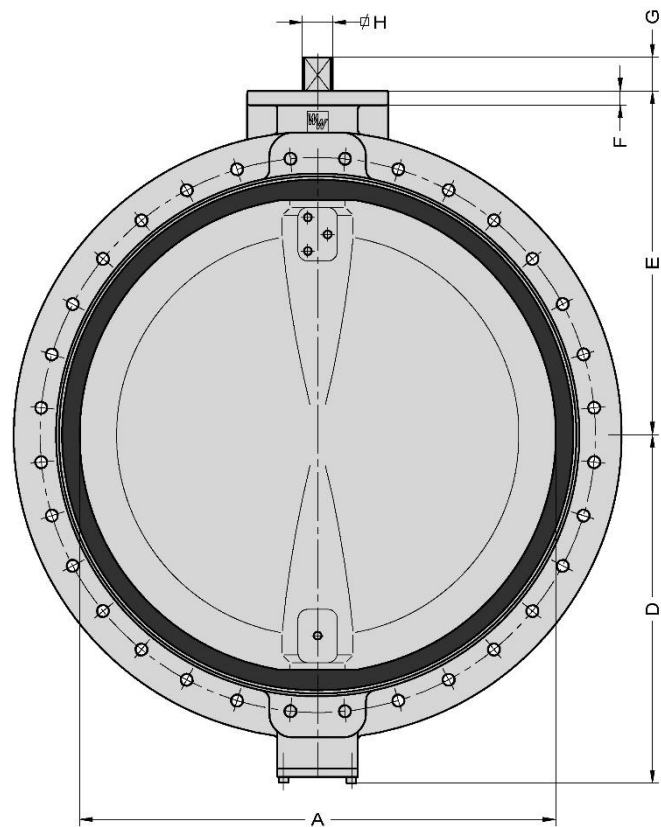
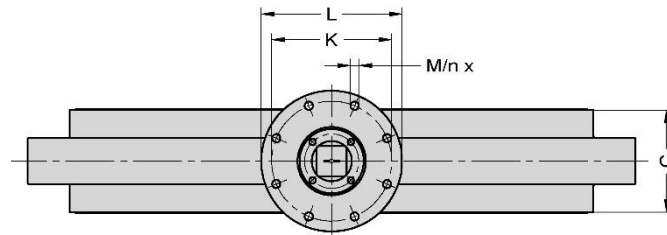
## PARTS LIST - EVTLS 1200 (48")



Item	Description	Material <sup>(1)</sup>	EN/DIN	Comparable ASTM
01	Shaft	Duplex SS Martensitic SS Aluminium Bronze Monel K500*	1.4462, EN 10088 1.4057, EN 10088 CuAl10Ni5Fe4, EN/DIN 17665 NA 18, BS 3076	A 182, Grade F51 A 276, Grade 431 B 150, C63000 -
02	Bush	Bronze		
03	O-ring	EPDM NBR FPM		
04	Body	Ductile Iron Ductile Iron (low temp.) Carbon Steel	JS 1030, EN 1563 JS 1049, EN 1563 1.0619, EN 10213	A 395, 60-40-18 - A 216, WCB
05	Bearing	St. / PTFE Lining Bronze / PTFE Lining		
06	Conical pin	See ITEM 01	See ITEM 01	See ITEM 01
07	Disc	Austenitic SS Duplex SS Ductile Iron / Rilsan coated Aluminium Bronze	1.4408, EN 10213 1.4517, EN 10213 JS 1030, EN 1563 / Rilsan coated G-CuAl10Ni, DIN 1714	A 351, CF8M A 351, CD-4MCu A 395, 60-40-18 B 148, C95800
08	Shaft	See ITEM 01	See ITEM 01	See ITEM 01
09	Lining	EPDM NBR FPM		
12	Axial bearing	Bronze		
13	Cover plate	St./Zn5C		
14	Cylinder head screw	St./Zn5C		
15	Counter sunk screw	St./Zn5C		
16	Flanged bush	Bronze		
17	O-ring	EPDM NBR FPM		
19	Sealing plate	St./NBR St./FPM		

<sup>(1)</sup> Other materials on request

**DIMENSIONS - EVS 1200-1400 (48"-56")**



DN	NPS	A	B	C	D	E	F	G	H	ISO 5211	K	L	M	n	MASS ±kg
1200	48"	1186	1300	254	870	855	35	85	75	F30	298	415	21	8	1400
1200	48"	1186	1300	254	870	855	35	85	75	F35	356	415	31	8	1400