

DESIGN

| | |
|------------------------|--|
| Body | Flangeless wafer type |
| End Connection | EN 1092 PN 6, 10 and 16 ASME B16.5 cl. 150 / B16.47 cl. 150 MSS SP 44 cl. 150 AWWA C207 cl. B, D and E BS 10 table D and E |
| Face to Face | EN558-1/2 Series 16 |
| Body Seat | Non replaceable Lining bonded to the body |
| Shaft Seal Design | O-ring bush |
| Driving Shaft | With indication for position of the disc |
| Special Design Options | - |

TESTING PROCEDURES

| | |
|----------------------|--|
| Shell strength test | EN 12266-1, P10 DIN 3230, Part 3 API 598 |
| Shell tightness test | EN 12266-1, P11 API 598 |
| Seat tightness test | EN 12266-1, P12, Rate A ISO 5208, Rate A API 598 |
| Operability test | EN 12266-2, F20 DIN 3230, Part 3 API 598 |

OPTIONS

| | |
|--------------------|---|
| Anti-Static Design | In accordance with EN 736/3 and API 609 |
|--------------------|---|

FUNCTIONAL CHARACTERISTICS

| | |
|---------------------|---|
| Application | On/off, regulating, control valve |
| Design pressure PS | Maximum 16 bar |
| Design temp. TS | -20°C (-4°F) to +200° (392°F) |
| Flow velocity | Max. 5 m/s for liquids, max. 50 m/s for gases |
| Seat tightness rate | Bi-directional - ISO 5208 rate A |

MARKING & CERTIFICATION

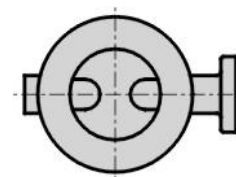
| | |
|---------------|--------------------------|
| Marking | EN 19, MSS SP 25 |
| Certification | EN 10204 - 2.2, 3.1, 3.2 |



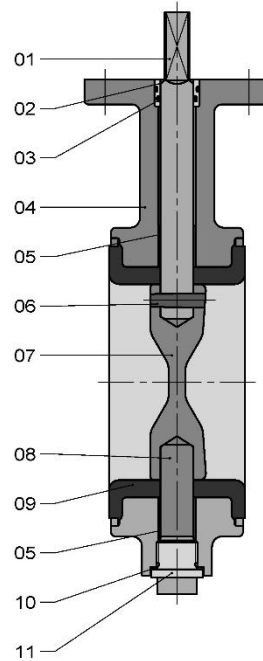
PRODUCT DATA

| | |
|---------------------|---|
| General Description | BUTTERFLY VALVE - Centric rubber lined |
| Design Code | EN 593 |
| Size Range | DN 80 - 800, NPS 3"- 32" |
| Maximum Pressure | 16 bar (optional 25 bar) |

PREFERRED POSITION WHEN INSTALLED IN HORIZONTAL PIPELINE



PARTS LIST - EVML 80-350 (3"-14")

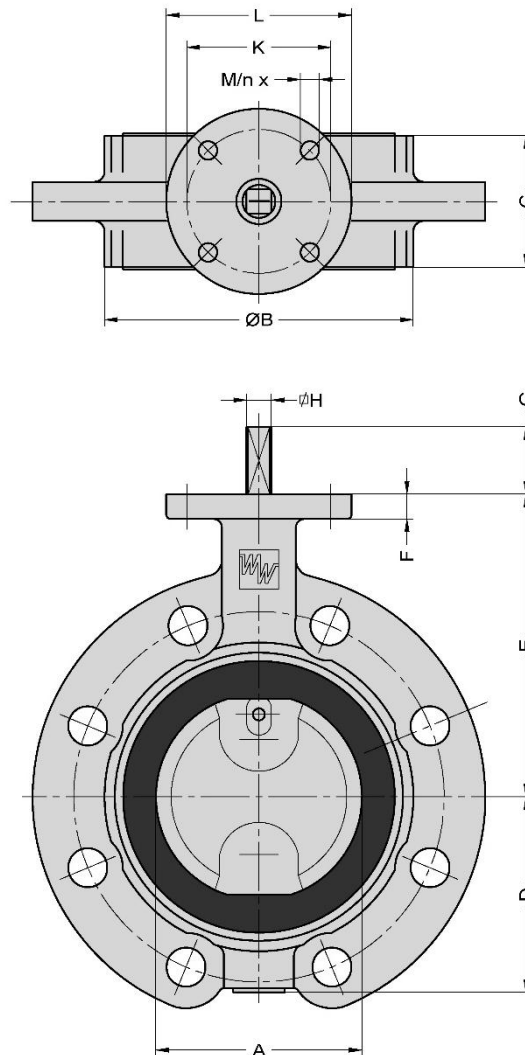


| ITEM | DESCRIPTION | MATERIAL ⁽¹⁾ | EN/DIN | COMPARABLE ASTM |
|------|--------------|--|---|--|
| 01 | Shaft | Duplex SS Martensitic SS Aluminium Bronze Monel K500 [†] Hastelloy-C [†] | 1.4462, EN 10088 1.4057, EN 10088 CuAl10Ni5Fe4, EN/DIN 17665 NA 18, BS 3076 - | A 182, Grade F51 A 276, Grade 431 B 150, C63000 - B 547, NI0276 |
| 02 | Bush | Bronze | | |
| 03 | O-ring | EPDM NBR FPM | | |
| 04 | Body | Ductile Iron Ductile Iron (low temp.) Carbon Steel | JS 1030, EN 1563 JS 1049, EN 1563 1.0619, EN 10213 | A 395, 60-40-18 - A 216, WCB |
| 05 | Bearing | St. / PTFE Lining Bronze / PTFE Lining | | |
| 06 | Conical pin | See ITEM 01 | See ITEM 01 | See ITEM 01 |
| 07 | Disc | Duplex SS Martensitic SS Ductile Iron / Rilsan coated ⁽²⁾ Aluminium Bronze Hastelloy-C [†] | 1.4462, EN 10088 1.4057, EN 10088 JS 1030, EN 1563 G-CuAl10Ni, DIN 1714 - | A 182, Grade F51 A 276, Grade 431 A 395, 60-40-18 B 148, C95800 A 494, CW-12MW |
| 08 | Shaft | See ITEM 01 | See ITEM 01 | See ITEM 01 |
| 09 | Lining | EPDM NBR FPM | | |
| 10 | Sealing ring | Cu | | |
| 11 | Plug | St./Zn5C | | |

⁽¹⁾ Other materials on request

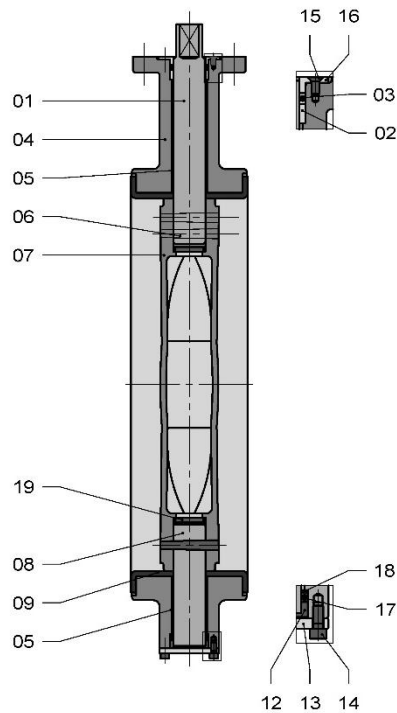
⁽²⁾ For DN 250 and DN 300

DIMENSIONS - EVML 80-350 (3"-14")



| DN | NPS | A | B | C | D | E | F | G | H | ISO 5211 | K | L | M | n | MASS ±kg |
|-----|-----|-----|-----|-----|-----|-----|----|----|----|----------|-----|-----|----|---|----------|
| 80 | 3" | 80 | 130 | 64 | 78 | 133 | 12 | 34 | 10 | F07 | 70 | 90 | 9 | 4 | 6.5 |
| 100 | 4" | 100 | 150 | 64 | 98 | 147 | 12 | 34 | 12 | F07 | 70 | 90 | 9 | 4 | 7.5 |
| 125 | 5" | 125 | 182 | 70 | 109 | 160 | 12 | 34 | 12 | F07 | 70 | 90 | 9 | 4 | 11 |
| 150 | 6" | 150 | 210 | 76 | 133 | 180 | 14 | 34 | 16 | F07 | 70 | 90 | 9 | 4 | 14 |
| 200 | 8" | 200 | 262 | 89 | 158 | 204 | 14 | 34 | 16 | F07 | 70 | 90 | 9 | 4 | 18 |
| 250 | 10" | 250 | 315 | 114 | 194 | 245 | 15 | 45 | 24 | F10 | 102 | 125 | 11 | 4 | 28 |
| 300 | 12" | 300 | 371 | 114 | 219 | 270 | 15 | 45 | 24 | F10 | 102 | 125 | 11 | 4 | 39 |
| 350 | 14" | 336 | 405 | 127 | 236 | 315 | 15 | 45 | 24 | F10 | 102 | 125 | 11 | 4 | 50 |

PARTS LIST - EVML 400-1000 (16"-40")



| ITEM | DESCRIPTION | MATERIAL ⁽¹⁾ | EN/DIN | COMPARABLE ASTM |
|------|---------------------|--|--|--|
| 01 | Shaft | Duplex SS Martensitic SS Aluminium Bronze Monel K500 ⁽²⁾ Hastelloy-C ⁽³⁾ | 1.4462, EN 10088 1.4057, EN 10088 CuAl10Ni5Fe4, EN/DIN 17665 NA 18, BS 3076 - | A 182, Grade F51 A 276, Grade 431 B 150, C63000 - B 547, NI0276 |
| 02 | Bush | Bronze | - | |
| 03 | O-ring | EPDM NBR FPM | | |
| 04 | Body | Ductile Iron Ductile Iron (low temp.) Carbon Steel | JS 1030, EN 1563 JS 1049, EN 1563 1.0619, EN 10213 | A 395, 60-40-18 - A 216, WCB |
| 05 | Bearing | St. / PTFE Lining Bronze / PTFE Lining | | |
| 06 | Conical pin | See ITEM 01 | See ITEM 01 | See ITEM 01 |
| 07 | Disc | Austenitic SS ⁽²⁾ Duplex SS ⁽⁴⁾ Martensitic SS ⁽⁴⁾ Ductile Iron / Rilsan coated Aluminium Bronze Hastelloy-C ⁽⁵⁾ CuNi ⁽³⁾ | 1.4408, EN 10213 1.4462, EN 10088 1.4057, EN 10088 JS 1030, EN 1563 G-CuAl10Ni, DIN 1714 - 2.0835, DIN 17658 | A 351, CF8M A 182, Grade F51 A 276, Grade 431 A 395, 60-40-18 B 148, C95800 A 494, CW-12MW - |
| 08 | Shaft | See ITEM 01 | See ITEM 01 | See ITEM 01 |
| 09 | Lining | EPDM NBR FPM | | |
| 12 | Axial bearing | Bronze | | |
| 13 | Cover plate | St./Zn5C | | |
| 14 | Cylinder head screw | St./Zn5C | | |
| 15 | Counter sunk screw | St./Zn5C | | |
| 16 | Collar bearing | Bronze | | |
| 18 | Ring | Bronze | | |
| 19 | Sealing plate | St./NBR St./FPM | | |

⁽¹⁾ Other materials on request

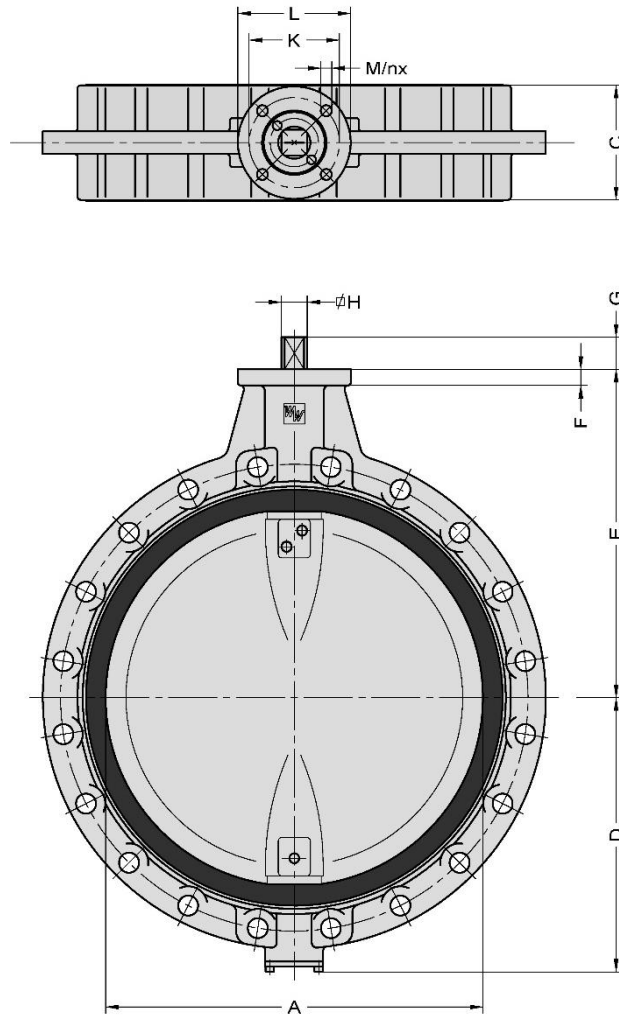
⁽²⁾ for \geq DN 700

⁽³⁾ forged \leq DN 600, casted \geq DN 700, material 1.4517, EN 10213 (ASTM A 351, CD-4MCu)

⁽⁴⁾ forged \leq DN 600

⁽⁵⁾ \leq DN 500

DIMENSIONS - EVML 400-1000 (16"-40")



| DN | NPS | A | B | C | D | E | F | G | H | ISO 5211 | K | L | M | n | MASS ±kg |
|-----|-----|-----|-----|-----|-----|-----|----|----|----|----------|-----|-----|----|---|----------|
| 400 | 16" | 386 | 470 | 140 | 308 | 363 | 25 | 50 | 30 | F14 | 140 | 175 | 17 | 4 | 95 |
| 450 | 18" | 436 | 522 | 152 | 334 | 388 | 25 | 50 | 30 | F14 | 140 | 175 | 17 | 4 | 115 |
| 500 | 20" | 486 | 576 | 152 | 360 | 413 | 25 | 50 | 30 | F14 | 140 | 175 | 17 | 4 | 155 |
| 600 | 24" | 586 | 672 | 178 | 426 | 510 | 25 | 50 | 40 | F14 | 140 | 175 | 17 | 4 | 230 |
| 700 | 28" | 686 | 776 | 229 | 499 | 560 | 25 | 60 | 46 | F16 | 165 | 210 | 21 | 4 | 330 |
| 750 | 30" | 736 | 826 | 229 | 524 | 585 | 25 | 60 | 46 | F16 | 165 | 210 | 21 | 4 | 380 |
| 800 | 32" | 786 | 880 | 241 | 549 | 610 | 25 | 60 | 46 | F16 | 165 | 210 | 21 | 4 | 430 |