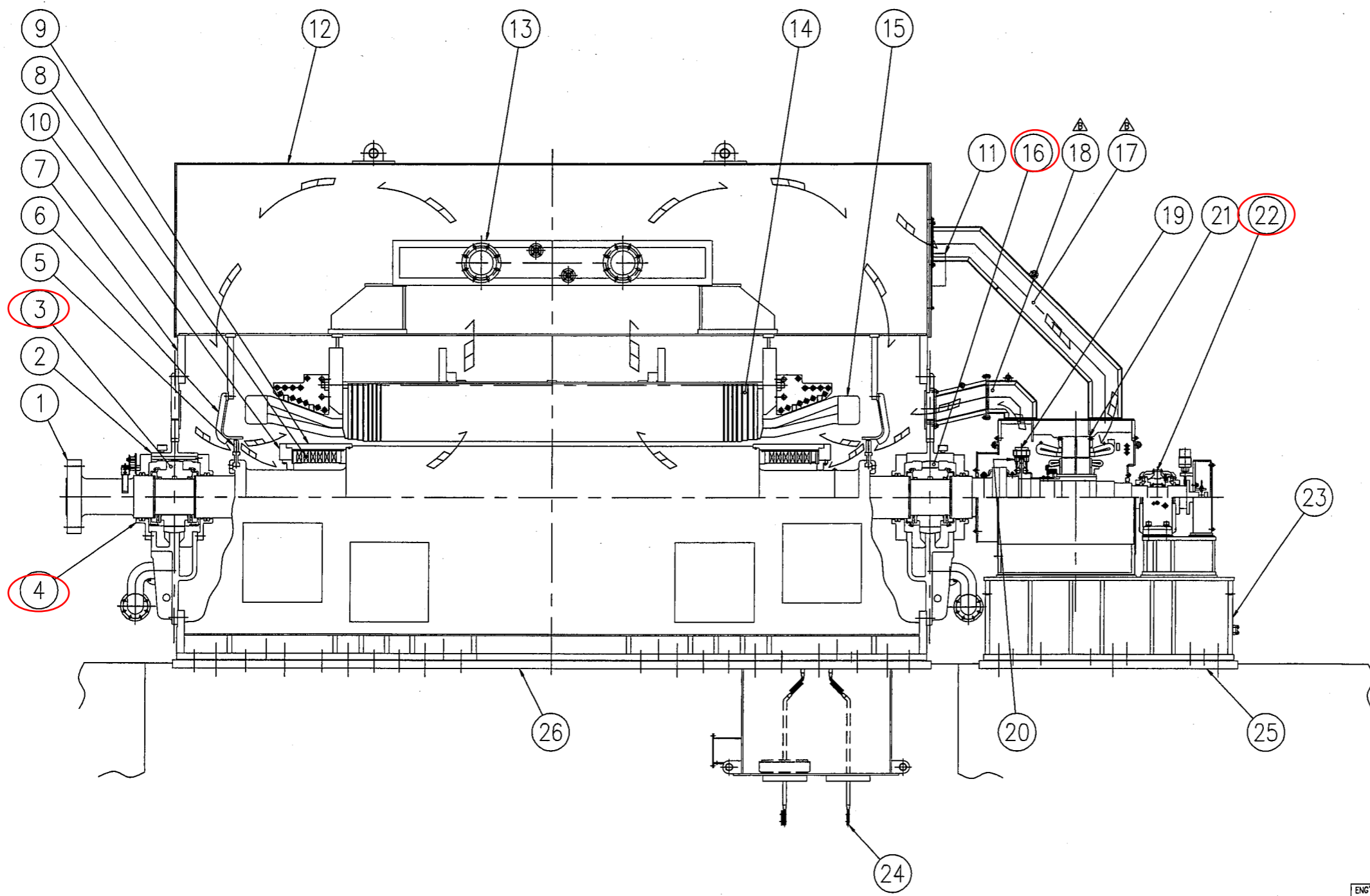


NO.	SPECIFICATION	MAT'L	UNIT	Q'TY	TOTAL WEIGHT (Kg)		REMARKS
					UNIT	TOTAL	



PART No.	NAME OF PARTS
1	SHAFT
2	BRACKET
3	BEARING
4	OIL SEAL RING
5	FAN
6	FAN GUIDE
7	FRAME
8	ROTOR COIL
9	RETAINING RING
10	END PLATE
11	AIR MAKEUP FILTER
12	AIR COOLER COVER
13	AIR COOLER
14	STATOR CORE
15	STATOR COIL
16	BEARING WITH INSULATION
17	EXC. INLET AIR DUCT
18	EXC. OUTLET AIR DUCT
19	ROTARY RECTIFIER
20	SILICON DIODE
21	AC. EXCITER
22	BEARING UNIT WITH INSULATION
23	BED
24	MAIN LEAD
25	SOLE PLATE FOR EXC.
26	SOLE PLATE FOR SYN. MOT.

THIS DRAWING IS THE PROPERTY OF POSCO E&C COMPANY LIMITED AND MUST NOT BE PASSED ON TO ANY PERSON OR BODY NOT AUTHORIZED BY US TO RECEIVE IT NOR BE COPIED OR OTHERWISE MADE USE EITHER IN PART BY SUCH PERSON OR BODY WITHOUT OUR PRIOR PERMISSION IN WRITING.

No.	Date	Description	Drawn	Checked	Reviewed	Approved

ENG' RESP : _____ CREA NO : _____

CSP
Companhia Siderúrgica do Paraná

posco E&C

Date: _____ Name/Comp.: _____ Project: CSP Steel Plant Facility: BL

Title: GENERAL ASSEMBLY OF SYNCHRONOUS MOTOR

Dimension: mm Projection:

Scale: NONE Format: A1

Issue for: _____