

RANGE	FH	VERSION	FIH	MODEL	FH025-3R-1
--------------	-----------	----------------	------------	--------------	-------------------

Cooling			Heating		
----------------	--	--	----------------	--	--

Capacity					
Total Capacity	[kW]	2,89	Total Capacity	[kW]	-
Sensible Capacity	[kW]	2,02			
Condensed Water	[l/h]	1,23			

Rows					
Number	[n°]	3	Number	[n°]	-

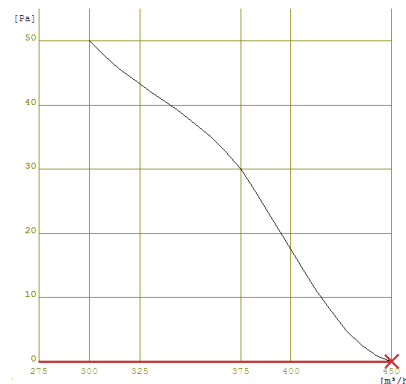
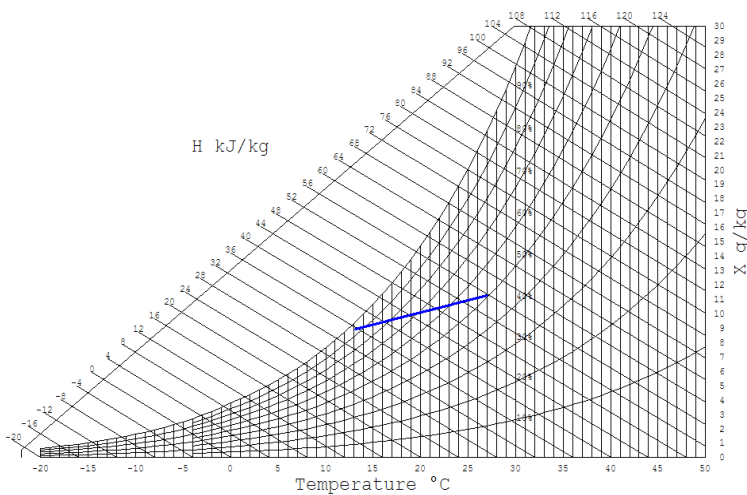
Air							
Inlet	DBT	[°C]	27,0	Inlet	DBT	[°C]	-
	WBT	[°C]	19,5				
	RH	[%]	50				
Outlet	DBT	[°C]	13,1	Outlet	DBT	[°C]	-
	WBT	[°C]	12,6				
	RH	[%]	94				
Flow rate	[m³/h]	450	Flow rate	[m³/h]	-		
Speed		1	Speed		-		
Air velocity	[m/s]	1,25	Air velocity	[m/s]	-		
Air Pressure Drop	[Pa]	22,5	Air Pressure Drop	[Pa]	-		

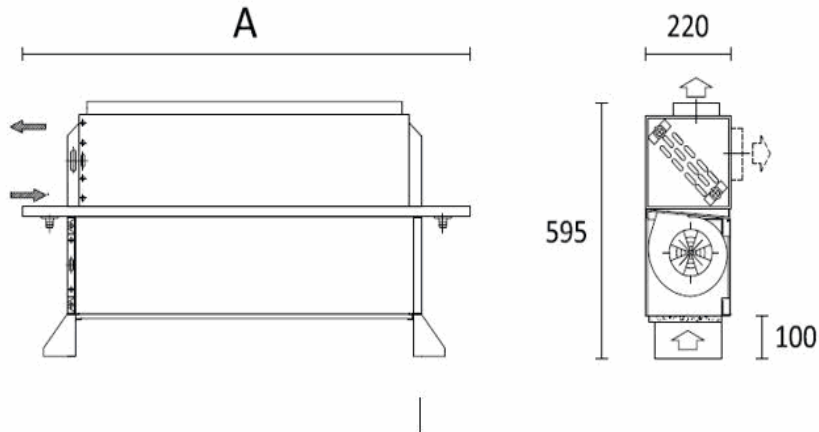
Water							
Flow rate	[l/h]	496,54	Flow rate	[l/h]	-		
Pressure drop	[kPa]	7,0	Pressure drop	[kPa]	-		
Temperature	Inlet	[°C]	7,0	Temperature	Inlet	[°C]	-
	Outlet	[°C]	12,0		Outlet	[°C]	-
Water		Acqua	Water		-		

Dimensions and Weight			Other Data		
Max Width	[mm]	740	Power supply	[V-ph-Hz]	V230/1/50
Max Height	[mm]	100+495	Absorbed power (max **)	[W]	60
Max Thickness	[mm]	220	Absorbed current (max **)	[A]	0,27
			Sound pressure level (Lp=Lw-RA)	[dB(A)]	36,0
			Sound power level (Lw) air delivery	[dB(A)]	54,0
Weight	[kg]	16,5	Static Pressure available	[Pa]	0,000

(**) refer to max speed for others speed please look table page 2

Air flow and ESP ductable





FIH	025		035		050		070		090	
Speed	W _{in}	A	W _{in}	A	W _{in}	A	W _{in}	A	W _{in}	A
1	69	0,31	69*	0,31	129	0,56	138*	0,60	260*	1,15
2	60*	0,27	60*	0,27	113*	0,49	119*	0,52	223*	1,00
3	50*	0,23	50*	0,23	97*	0,42	100*	0,44	189*	0,85
4	46*	0,21	46	0,21	88*	0,38	91	0,40	168	0,76
5	31	0,14	31	0,14	57	0,25	59	0,26	110	0,50
6	27	0,12	27	0,12	51	0,22	51	0,23	97	0,45

Lw in dB(A) Valori globali riferiti a/global values related to centre-octave-band-frequency from 125 to 8.000Hz REC16 Eurovent/Cecomaf
Si riserva la facoltà di apportare in qualsiasi momento tutte le modifiche ritenute necessarie per il miglioramento del prodotto.
Shall have the right to introduce at any time whatever modifications deemed necessary to the improvement of the product.



A	B	C	D	E	F	G	H	I
[mm]	[mm]	[mm]	[mm]	[mm]	[mm]	[mm]	[mm]	[mm]
740	-	-	-	-	-	-	-	-

Description

Vertical ducted type low ESP up to 50 Pa.