

FABCO TRANSFER CASE

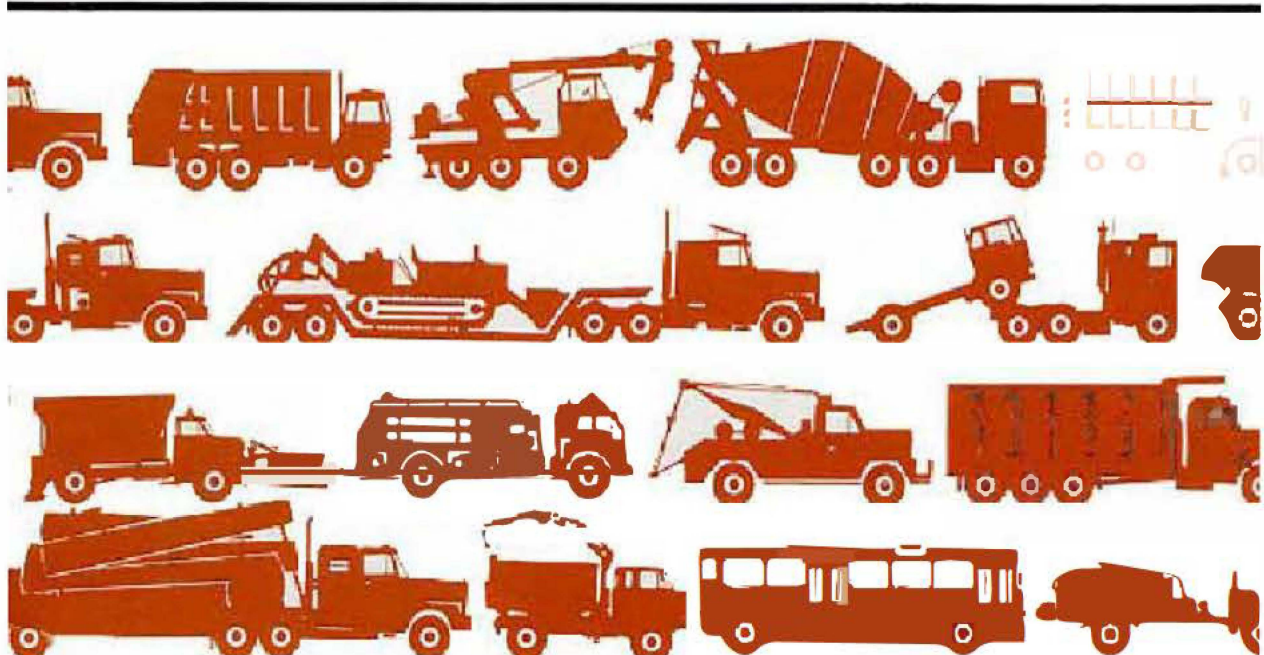
Brought to you by:

Pro Gear
AND TRANSMISSION

FabcoTransferCaseParts.com | 877.776.4600 | 407.872.1901 | parts@eprogear.com

FABCO TC-65, -80, & 110 TRANSFER CASE AND PTO-110 SPLIT-SHAFT PARTS MANUAL

Fabco
AUTOMOTIVE CORPORATION



A business unit of **tti**

VIII. PARTS MANUAL

Table of Contents

Model TC-65 (two speed)	
Case, bearing caps and related parts	PM 1
Shafts and related parts	PM 3
Shift shafts and related parts	PM 5
Model TC-80 (single speed)	
Case, bearing caps and related parts	PM 7
Shafts and related parts	PM 9
Shift shafts and related parts	PM 11
Model TC-110 (single speed)	
Case, bearing caps and related parts	PM 13
Shafts and related parts	PM 15
Shift shafts and related parts	PM 17
Model PTO-110 (split shaft PTO)	
Case, bearing caps and related parts	PM 19
Shafts and related parts	PM 21
Shift shafts and related parts	PM 23
Miscellaneous	
Declutch and related parts (TC-65, -80, -110)	PM 25
Declutch and related parts (PTO-110)	PM 27
PTO and related parts	PM 29
Lube pump kit (TC-65, -80, -110)	PM 31
Lube pump (PTO-110)	PM 33
Kits	PM 35

To Use This Parts Manual.

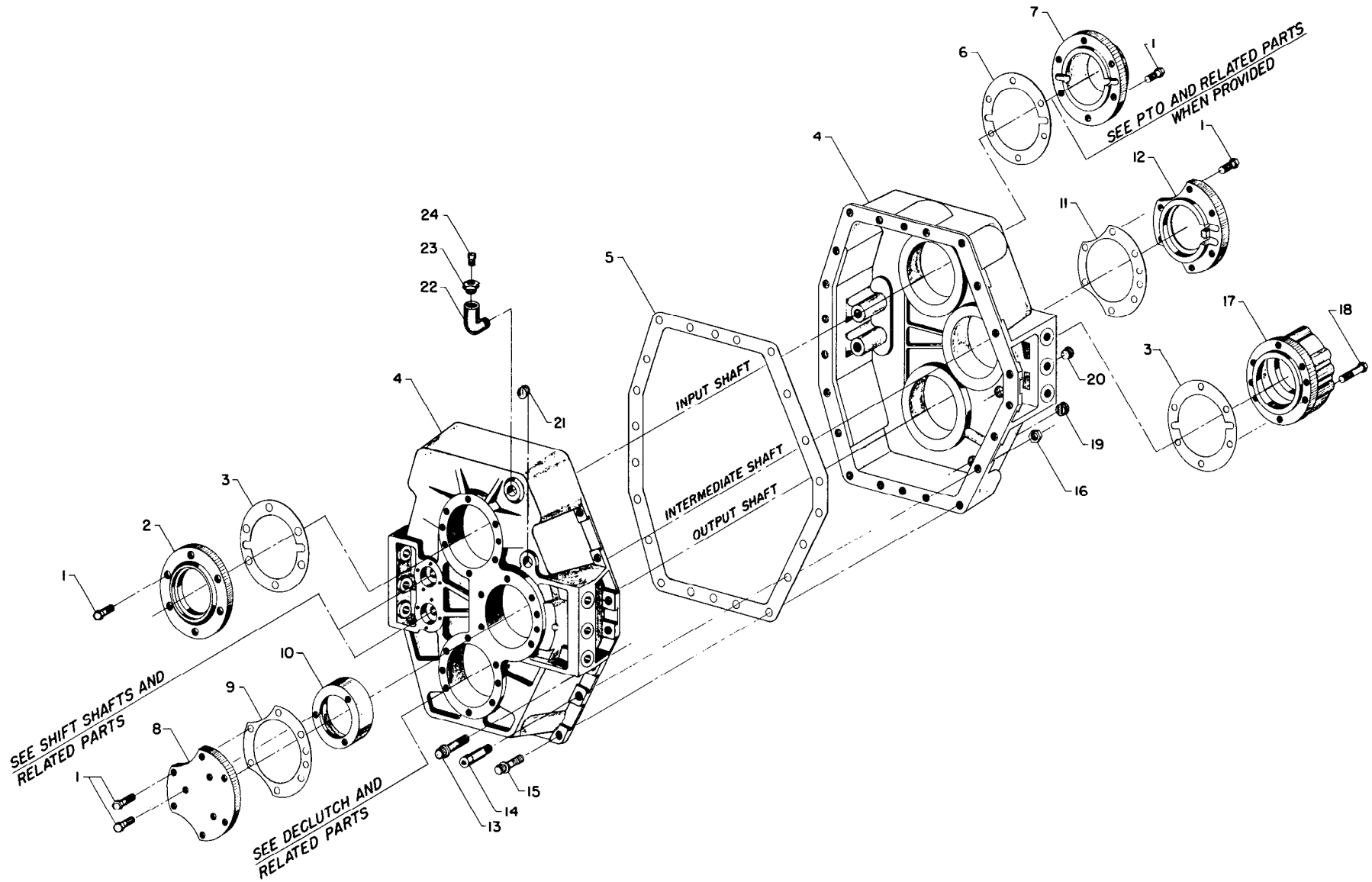
1. Refer to the exploded view which illustrates the needed part.
2. Find the required part in the exploded view and then note the item number.
3. Locate the item number in the parts list for part number, description and quantity.

NOTE: When ordering parts, specify model number, part number, serial number or other information that is on the Fabco nameplate located on the transfer case housing.

Part numbers contained in this manual were in effect at the time the manual was approved for printing and are subject to change without notice or liability. Fabco Automotive reserves the right to change parts at any time.

CASE, BEARING CAPS & RELATED PARTS TC-65 2-SPEED

—PM 1—



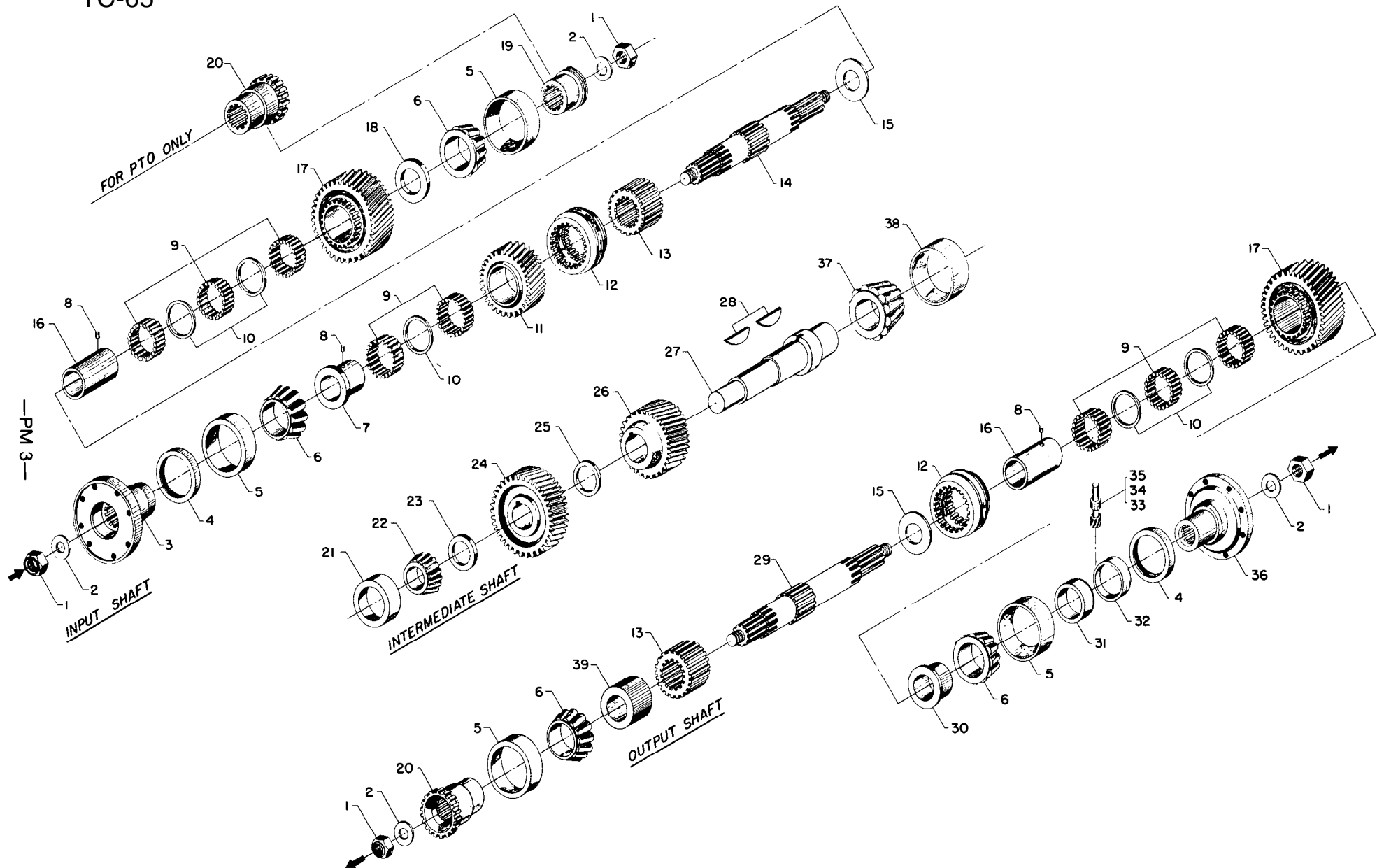
**Case, Bearing Caps and Related Parts
TC-65 2-Speed**

ITEM	PART NO.	DESCRIPTION	BASIC	WITH PTO
1	265 238	Bolt, ⁷ / ₁₆ -14 x 1¼	27	21
2	237 357	Carrier, Seal	1	1
3	427 372	Gasket, Seal Carrier	2	2
4	468 012	Housing, Assy. Transfer Case (Incl. 724 532 Bolts & 688 564 Nuts, Qty-4)	1	1
5	427 373	Gasket, Main Case	1	1
6	744 278	Shim, PTO .030 Thick (Coral)	} As Required (See Note 1)	
	744 279	Shim, PTO .015 Thick (Pink)		
	744 282	Shim, PTO .005 Thick (Blue)		
	744 283	Shim, PTO .002 Thick (Red)		
7	235 353	Cap, Upper Rear Case	1	—
8	235 347	Cap, Intermediate Shaft Front	1	1
9	427 374	Gasket, Intermediate Shaft	1	1
10	736 745	Ring, Bearing Adapter	1	1
11	744 289	Shim, Inter. Shaft .030 Thick (Coral)	} As Required (See Note 1)	
	744 292	Shim, Inter. Shaft .015 Thick (Pink)		
	744 293	Shim, Inter. Shaft .005 Thick (Blue)		
	744 294	Shim, Inter. Shaft .002 Thick (Red)		
12	235 348	Cap, Intermediate Shaft Rear	1	1
13	724 532	Screw, ½-13 x 2¾ Ferry Head	6	6
14	265 837	Bolt, ⁵ / ₈ x 2 Shoulder	2	2
15	724 529	Screw, ½-13 x 1¾ Ferry Head	8	8
16	688 564	Nut, ½-13 Flexloc	8	8
17	237 356	Carrier, Speedo Gear & Seal	1	1
18	265 369	Bolt, ⁷ / ₁₆ -14 x 2¾	6	6
19	758 274	Plug, ³ / ₄ Magnetic Socket Head Pipe	1	1
20	758 268	Plug, ³ / ₄	1	1
21	758 344	Plug, ³ / ₄ Breakoff	1	1
22	359 267	Elbow, ³ / ₄ x 90°	1	1
23	356 236	Hex Bushing, ³ / ₄ - ¹ / ₈	1	1
24	836 222	Breather, ¹ / ₈ NPT	1	1

Notes:

1. Items 6 & 11 select shims to give .003-.008 end float on each shaft.

SHAFTS & RELATED PARTS TC-65

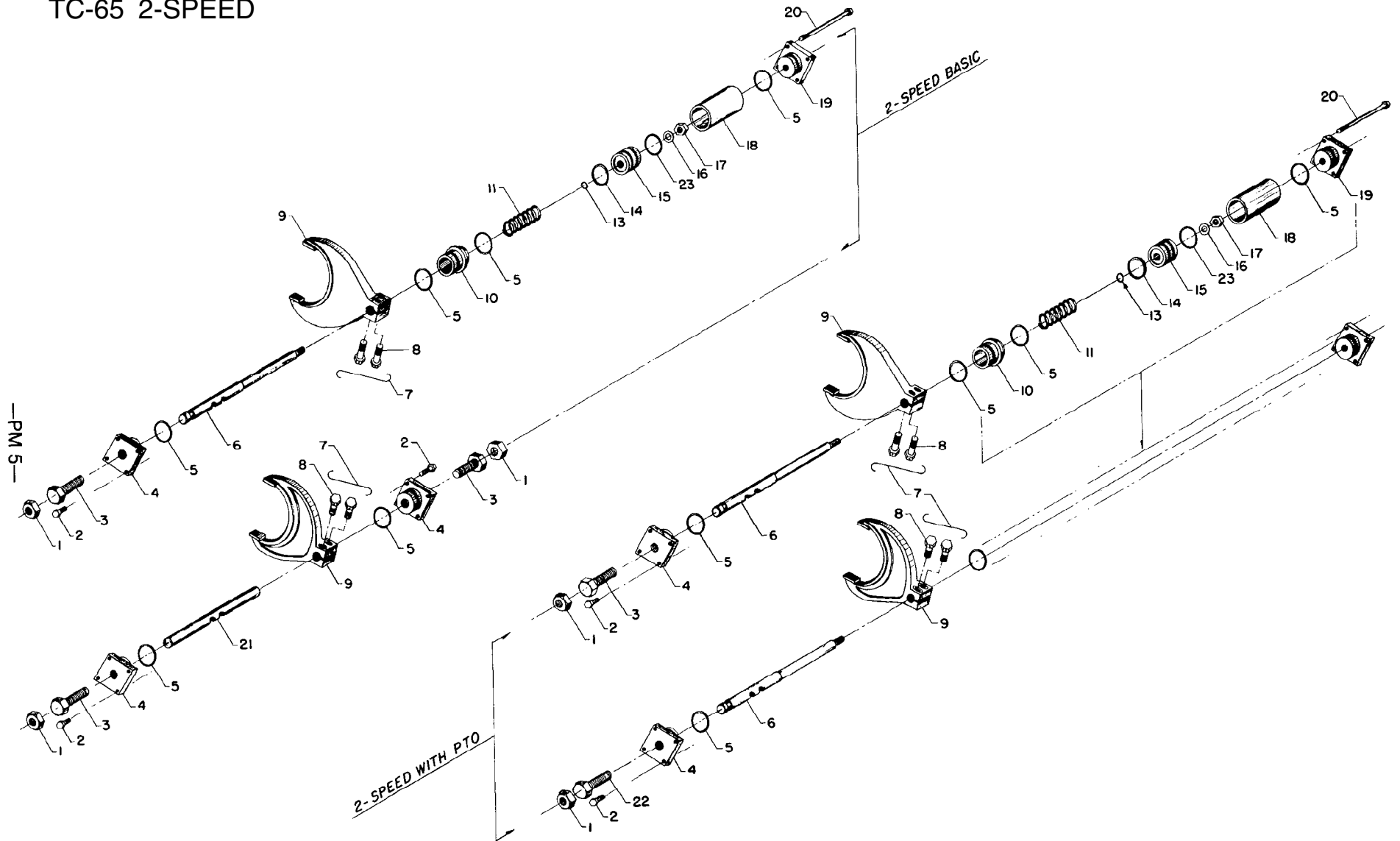


**Shafts and Related Parts
TC-65 2-Speed**

ITEM	PART NO.	DESCRIPTION	BASIC	WITH PTO	ITEM	PART NO.	DESCRIPTION	BASIC	WITH PTO
1	688 633	Nut, Self Locking, 1¼-18	4	4	22	233 377	Bearing Cone	1	1
2	927 775 002	Washer, Hardened	4	4	23	736 748	Ring, Spacer	1	1
3	352 346	Flange, Input (1710)	1	1	24	432 424	Gear, Counter Shaft, 43 Tooth	1	1
	352 364	Flange, Input (1810)			25	736 749	Ring, Spacer	1	1
4	732 328	Seal, Oil	2	2	26	432 425	Gear, Counter Shaft, 34 Tooth	1	1
5	233 282	Bearing Cup	4	4	27	742 798	Shaft, Intermediate	1	1
6	233 283	Bearing Cone	4	4	28	966 296	Key, Woodruff-Intermediate Gears	2	2
7	234 389	Bearing Inner Race	1	1	29	742 796	Shaft, Output	1	1
8	746 732	Pin, Inner Race Lock	3	3	30	883 475	Tube, Bearing Adapter	1	1
9	765 273	Needle Bearing Rollers	496	496	31	883 474	Tube, Spacer	1	1
10	736 746	Ring, Needle Bearing Spacer	5	5	32	432 432	Gear, Speedo Drive, 6 Tooth	1	1
11	432 423	Gear, 34 Tooth	1	1	33	432 429	Gear, Speedo Driven, 13 Tooth	1	1
12	432 426	Clutch Collar	2	2	34	883 473	Sleeve, Speedo Driven Gear	1	1
13	432 428	Clutch Gear	2	2	35	882 299	Tube, Speedometer Driven Gear (not used on 1980 & later cases)	1	1
14	742 795	Shaft, Input	1	1					
15	927 644	Washer, Steel Thrust	2	2	36	352 345	Flange, Rear Output (1710)	1	1
16	234 392	Bearing, Inner Race	2	2		352 373	Flange, Rear Output (1810)		
17	432 422	Gear, 46 Tooth	2	2	37	233 379	Bearing Cone	1	1
18	736 754	Spacer, Gear	1	1	38	233 378	Bearing Cup	1	1
19	883 484	Tube, Blanking Sleeve	1	—	39	234 432	Sleeve, Spacing	1	1
20	432 398	Gear, Declutch and PTO	1	2					
21	233 376	Bearing Cup	1	1					

—PM 4—

SHIFT SHAFTS & RELATED PARTS TC-65 2-SPEED

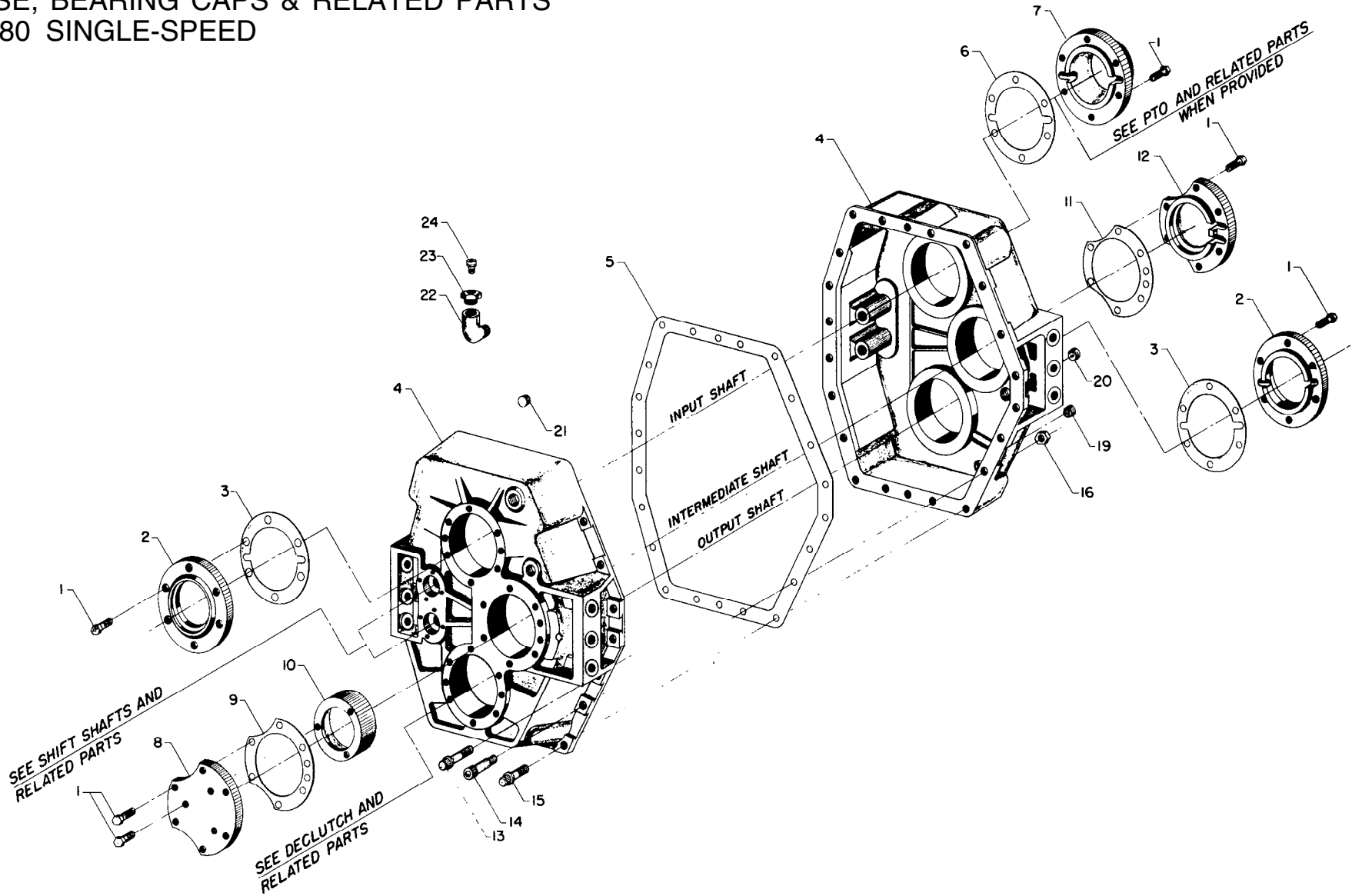


**Shift Shaft and Related Parts
TC-65 2-Speed**

ITEM	PART NO.	DESCRIPTION	BASIC	WITH PTO
1	688 372	Nut, Hex Jam, 3/4-16	3	2
2	265 366	Bolt, 1/4 x 1	12	8
3	265 985	Bolt, Shift Rod Stop, Short	3	1
4	235 354	Cap, Shift Adjustment	3	2
5	675 224	"O" Ring	6	8
6	742 822	Shaft, Shift	1	2
7	947 223	Lockwire	2	2
8	265 768	Bolt, 7/16-20 x 1 1/2 Drilled Head	4	4
9	367 254	Fork, Shift	2	2
10	883 479	Tube, Shift Cylinder Adapter	1	2
11	777 465	Spring, Shift Shaft	1	2
13	782 288	"O" Ring, Piston Shaft Seal	1	2
14	339 223	Felt Wiper	1	2
15	753 232	Piston, Shift	1	2
16	927 643	Washer	1	2
17	688 464	Nut, Flexloc	1	2
18	883 887 002	Tube, Shift Cylinder, 3.375 Lg.	1	2
19	235 352	Cap, Shift Cylinder	1	2
20	265 772	Bolt, 1/4-20 x 4 1/2	4	8
21	742 823	Shaft, Shift (Stationary)	1	—
22	265 984	Bolt, Shift Rod Stop, Long	—	1
23	675 326	"O" Ring	1	2

CASE, BEARING CAPS & RELATED PARTS TC-80 SINGLE-SPEED

—PM 7—



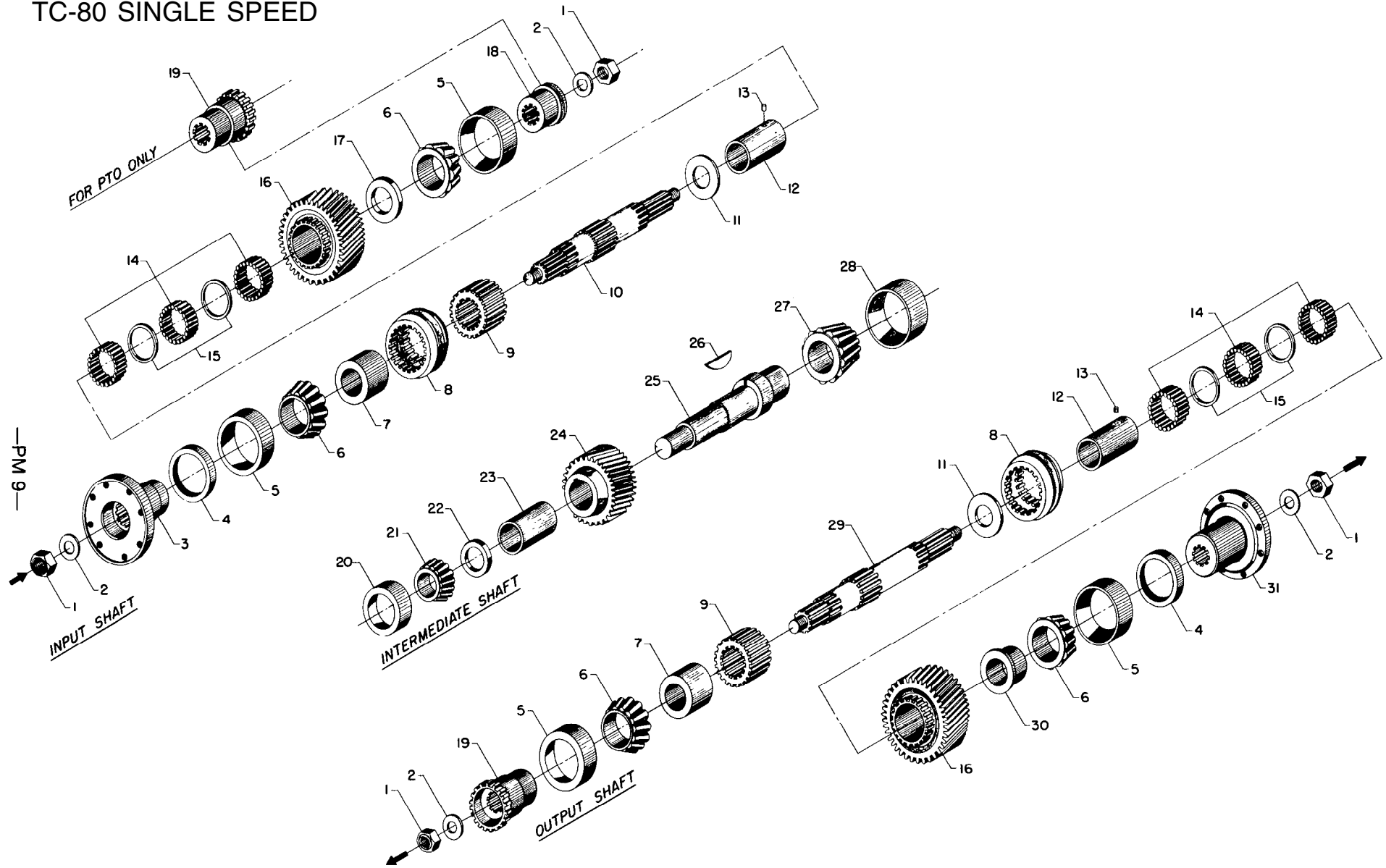
**Case, Bearing Caps and Related Parts
TC-80 Single Speed**

ITEM	PART NO.	DESCRIPTION	BASIC	WITH PTO
1	265 238	Bolt, 7/16-14 x 1 1/4	33	27
2	237 357	Carrier, Seal	2	2
3	427 372	Gasket, Seal Carrier	2	2
4	468 012	Housing Assy., Transfer Case (Incl. 724 532 Bolts & 688 564 Nuts, Qty-4)	1	1
5	427 373	Gasket, Main Case	1	1
6	744 278	Shim, PTO .030 Thick (Coral)	} As Required (See Note 1)	
	744 279	Shim, PTO .015 Thick (Pink)		
	744 282	Shim, PTO .005 Thick (Blue)		
	744 283	Shim, PTO .002 Thick (Red)		
7	235 353	Cap, Upper Rear Case	1	—
8	235 347	Cap, Intermediate Shaft Front	1	1
9	427 374	Gasket, Intermediate Shaft	1	1
10	736 745	Ring, Bearing Adapter	1	1
11	744 289	Shim, Inter. Shaft .030 Thick (Coral)	} As Required (See Note 1)	
	744 292	Shim, Inter. Shaft .015 Thick (Pink)		
	744 293	Shim, Inter. Shaft .005 Thick (Blue)		
	744 294	Shim, Inter. Shaft .002 Thick (Red)		
12	235 348	Cap, Intermediate Shaft Rear	1	1
13	724 532	Screw, 1/2-13 x 2 3/4 Ferry Head	6	6
14	265 837	Bolt, 5/8 x 2 Shoulder	2	2
15	724 529	Screw, 1/2-13 x 1 3/4 Ferry Head	8	8
16	688 564	Nut, 1/2-13 Flexloc	8	8
19	758 274	Plug, 3/4 Magnetic Socket Head Pipe	1	1
20	758 268	Plug, 3/4	1	1
21	758 344	Plug, 3/4 Breakoff	1	1
22	359 267	Elbow, 3/4 x 90° #150 Blk	1	1
23	356 236	Hex Bushing, 3/4-1/8 Blk	1	1
24	836 222	Breather, 1/8 NPT	1	1

Notes:

- Items 6 & 11 select shims to give .003-.008 end float on each shaft.

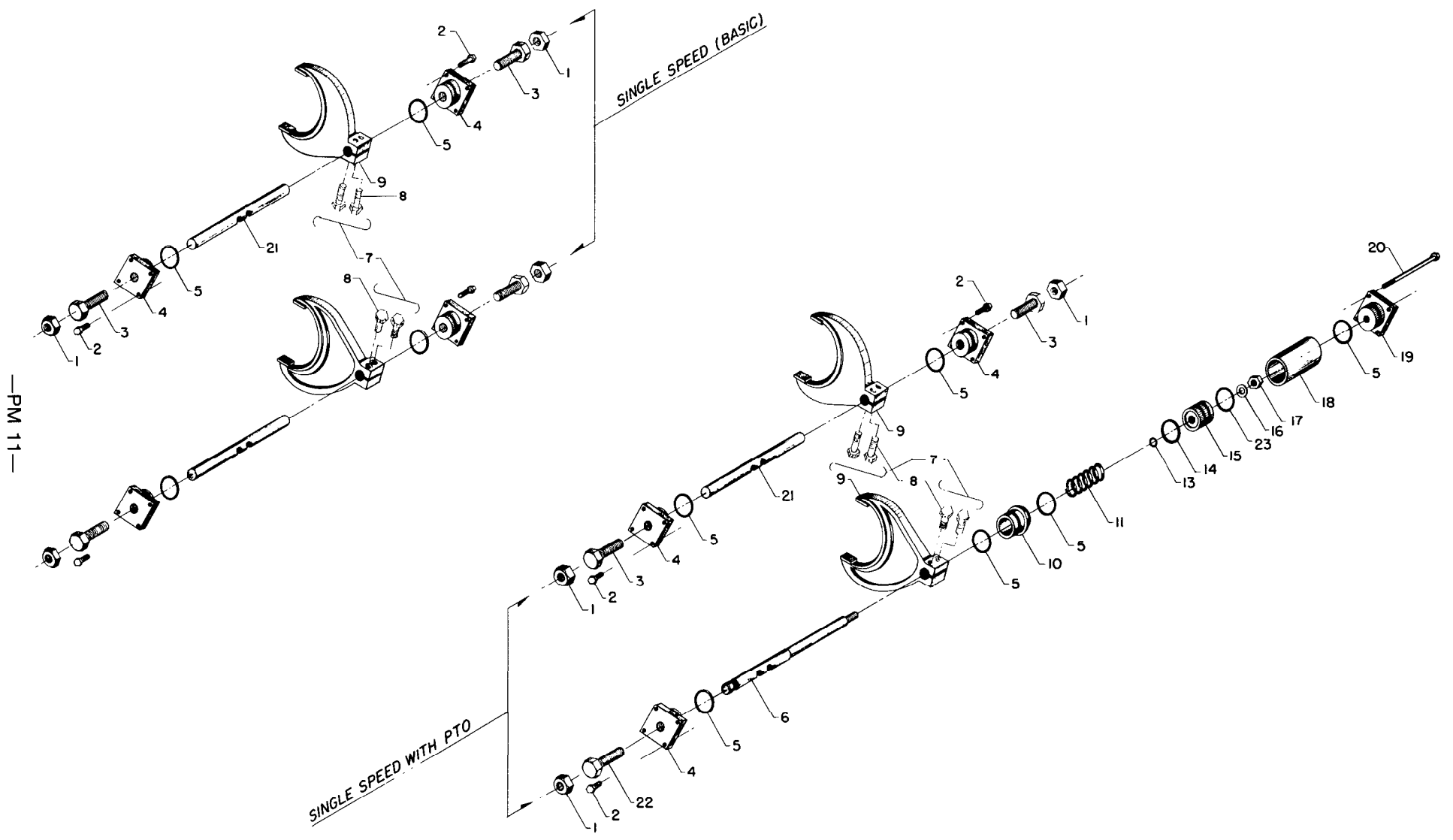
SHAFTS AND RELATED PARTS TC-80 SINGLE SPEED



**Shafts and Related Parts
TC-80 Single Speed**

ITEM	PART NO.	DESCRIPTION	BASIC	WITH PTO
1	688 633	Nut, Self Locking	4	4
2	927 775 002	Washer, Hardened	4	4
3	352 346	Flange, Input (1710)	1	1
	352 364	Flange, Input (1810)		
4	732 328	Seal, Oil	2	2
5	233 282	Bearing Cup	4	4
6	233 283	Bearing Cone	4	4
7	234 432	Sleeve, Spacing	2	2
8	432 426	Clutch Collar	2	2
9	432 428	Clutch Gear	2	2
10	742 897	Shaft, Input <i>use 742 795</i>	1	1
11	927 644	Washer, Steel Thrust	2	2
12	234 392	Bearing, Inner Race	2	2
13	746 732	Pin, Inner Race Lock	2	2
14	765 273	Needle Bearing Rollers	372	372
15	736 746	Ring, Needle Bearing Spacer	4	4
16	432 422	Gear 46 Tooth	2	2
17	736 754	Spacer, Gear	1	1
18	883 484	Tube, Blanking Sleeve	1	—
19	432 398	Gear, Declutch and PTO	1	2
20	233 376	Bearing Cup	1	1
21	233 377	Bearing Cone	1	1
22	736 748	Ring, Spacer	1	1
23	883 485	Spacer, Gear	1	1
24	432 425	Gear, Counter Shaft, 34 Tooth	1	1
25	742 894 <i>798</i>	Shaft, Intermediate	1	1
26	966 296	Key, Woodruff-Intermediate Gears	1	1
27	233 379	Bearing Cone	1	1
28	233 378	Bearing Cup	1	1
29	742 796	Shaft, Output	1	1
30	883 475	Tube, Bearing Adapter	1	1
31	352 349	Flange, Output Rear (1710)	1	1
	352 365	Flange Output Rear (1810)		

SHIFT SHAFTS & RELATED PARTS TC-80 SINGLE SPEED

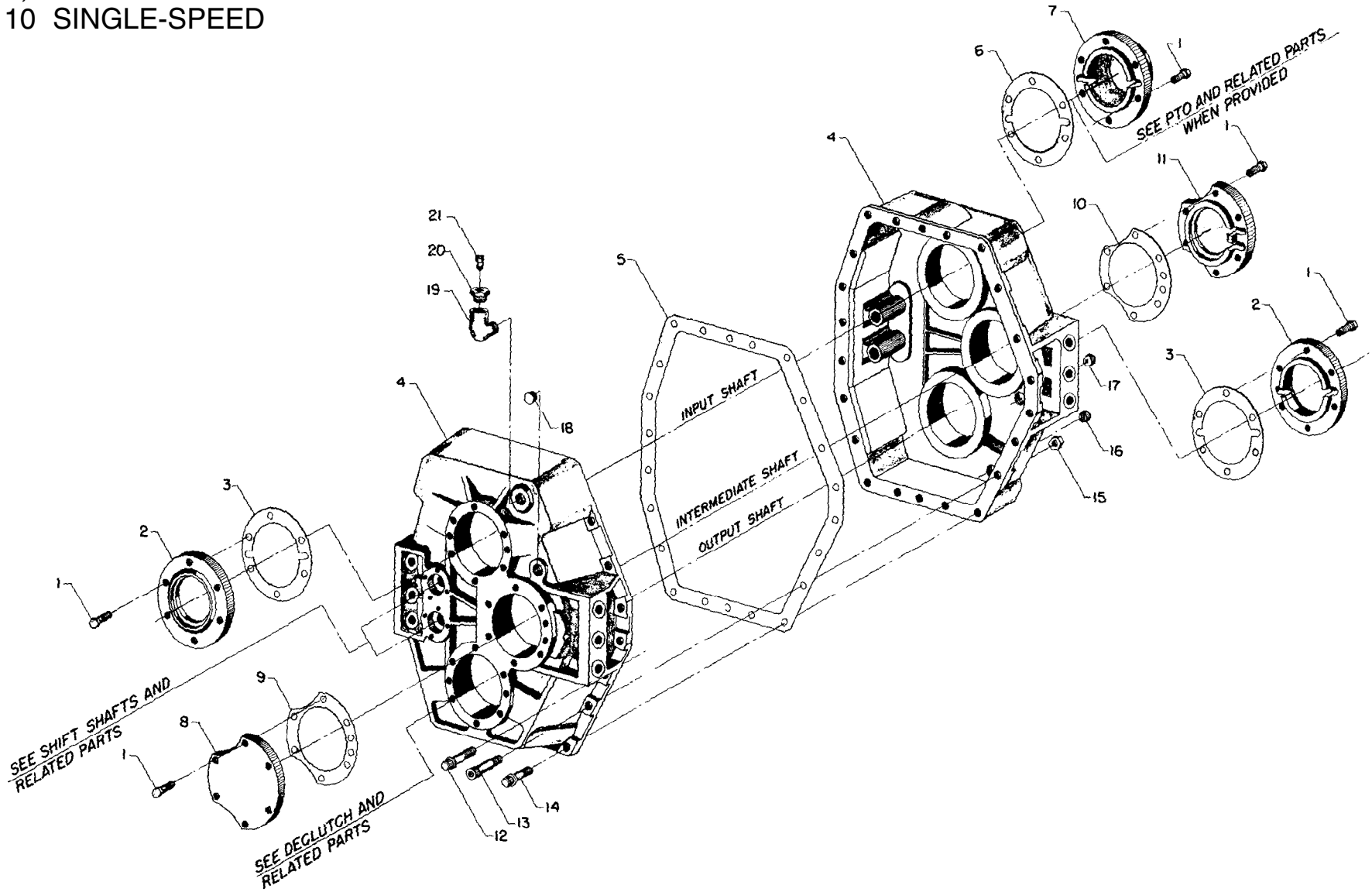


**Shift Shafts and Related Parts
TC-80 Single-Speed**

ITEM	PART NO.	DESCRIPTION	BASIC	WITH PTO
1	688 372	Nut, Hex Jam, 3/4-16	4	3
2	265 366	Bolt, 1/4 x 1	16	12
3	265 985	Bolt, Shift Rod Stop, Short	4	2
4	235 354	Cap, Shift Adjustment	4	3
5	675 224	"O" Ring	4	6
6	742 822	Shaft, Shift	—	1
7	947 223	Lockwire	2	2
8	265 768	Bolt, 7/16-20 x 1 1/2 Drilled Head	4	4
9	367 254	Fork, Shift	2	2
10	883 479	Tube, Shift Cylinder Adapter	—	1
11	777 465	Spring, Shift Shaft	—	1
13	782 288	"O" Ring, Piston Shaft Seal	—	1
14	339 223	Felt Wiper	—	1
15	753 232	Piston, Shift	—	1
16	927 643	Washer	—	1
17	688 464	Nut, Flexloc	—	1
18	883 887 002	Tube, Shift Cylinder, 3.375 Long	—	1
19	235 352	Cap, Shift Cylinder	—	1
20	265 772	Bolt, 1/4-20 x 4 1/2	—	4
21	742 823	Shift, Shaft (Stationary)	2	1
22	265 984	Bolt, Shift Rod Stop, Long	—	1
23	675 326	"O" Ring	—	1

CASE, BEARING CAPS & RELATED PARTS TC-110 SINGLE-SPEED

—PM 13—



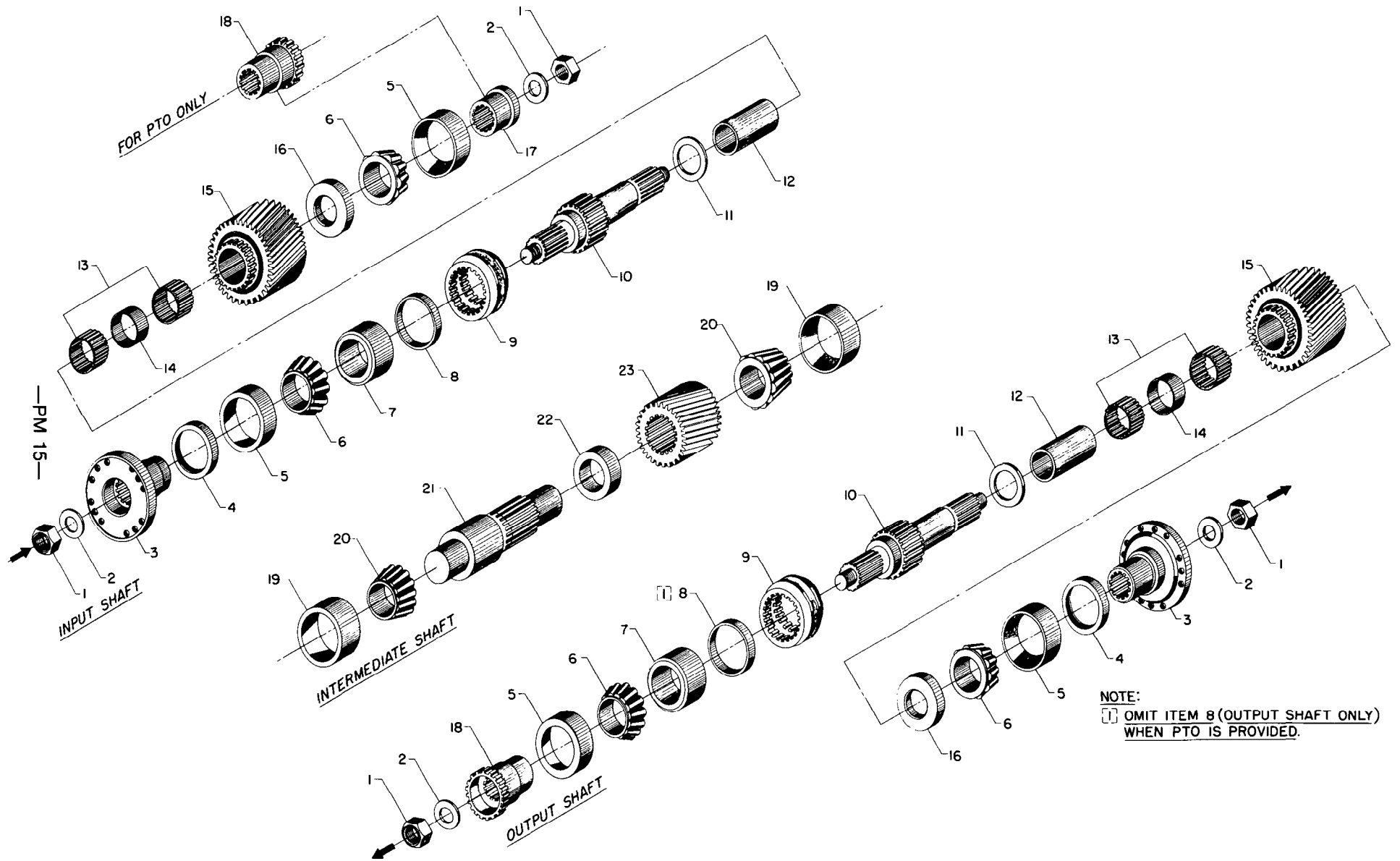
**CASE, Bearing Caps and Related Parts
TC-110 Single Speed**

ITEM	PART NO.	DESCRIPTION	BASIC	WITH PTO
1	265 238	Bolt 7/16-14 x 1¼	30	24
2	237 357	Carrier Seal	2	2
3	427 372	Gasket, Seal Carrier	2	2
4	468 012	Housing, Assy., Transfer Case (Incl. 724 532 Bolts & 688 564 Nuts, Qty-4)	1	1
5	427 373	Gasket, Main Case	1	1
6	744 278	Shim, Upper Shaft .030 Thick (Coral)	} As Required (See Note 1)	
	744 279	Shim, Upper Shaft .015 Thick (Pink)		
	744 282	Shim, Upper Shaft .005 Thick (Blue)		
	744 283	Shim, Upper Shaft .002 Thick (Red)		
7	235 353	Cap, Upper Rear Case	1	—
8	235 392	Cap, Intermediate Shaft, Front	1	1
9	427 374	Gasket, Intermediate Shaft, Cap	1	1
10	744 289	Shim, Inter. Shaft .030 Thick (Coral)	} As Required (See Note 1)	
	744 292	Shim, Inter. Shaft .015 Thick (Pink)		
	744 293	Shim, Inter. Shaft .005 Thick (Blue)		
	744 294	Shim, Inter. Shaft .002 Thick (Red)		
11	235 348	Cap, Intermediate Shaft Rear	1	1
12	724 532	Screw, ½-13 x 2¾ Ferryhead	6	6
13	265 837	Bolt, ⅝ x 2 Shoulder	2	2
14	724 529	Screw, ½-13 x 1¾ Ferryhead	8	8
15	688 564	Nut, ½-13 Flexloc	8	8
16	758 274	Plug, ¾ Mag. Socket Head Pipe	1	1
17	758 268	Plug, ¾	1	1
18	758 344	Plug, Breakoff, ¾ NPT	1	1
19	359 267	¾ x 90° Street Elbow	1	1
20	356 236	¾-⅛ Pipe Bushing	1	1
21	836 222	Breather, ⅛ NPT	1	1

Notes:

1. Items 6 & 10 select shims to give .003-.008 end float on each shaft.

SHAFTS & RELATED PARTS TC-110 SINGLE SPEED

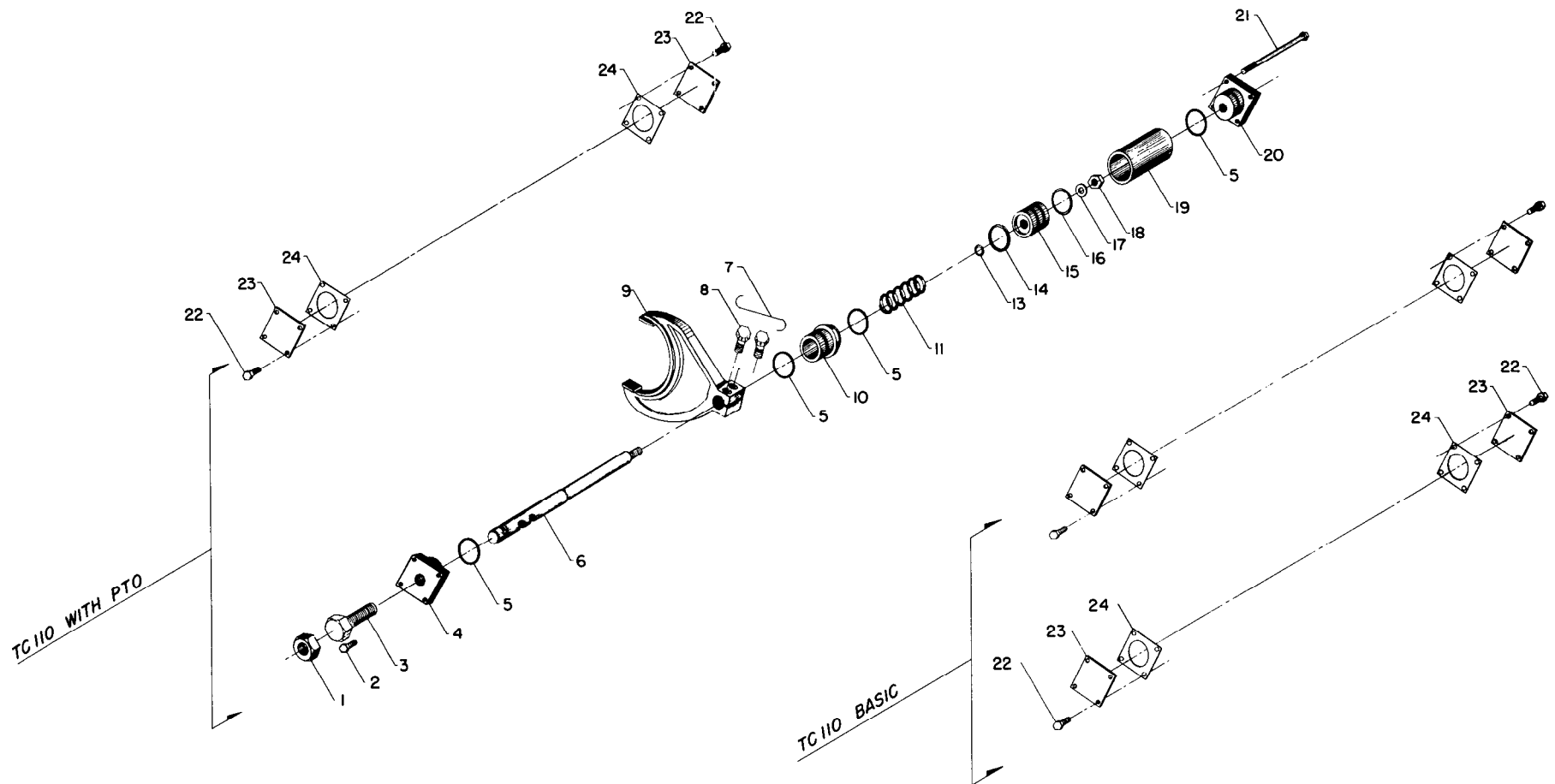


**Shafts and Related Parts
TC-110 Single Speed**

ITEM	PART NO.	DESCRIPTION	BASIC	WITH PTO
1	688 639	Nut, 1½-18	4	4
2	927 775 005	Washer, Hardened	4	4
3	352 387	Flange, Input-Output (1810)	2	2
	352 436	Flange, Input-Output (1710)		
4	732 328	Seal, Oil	2	2
5	233 282	Bearing Cup	4	4
6	233 283	Bearing Cone	4	4
7	736 846	Ring, Spacer	2	2
8	736 845	Ring, Spacer	2	1
9	432 426	Clutch Collar	2	2
10	742 932	Shaft, Input & Output	2	2
11	927 724	Thrust Washer	2	2
12	233 435	Bearing, Inner Race	2	2
13	233 436	Roller Bearing Assy.	4	4
14	736 849	Ring, Needle Bearing, Spacer	2	2
15	432 495	Gear, Upper & Lower	2	2
16	736 844	Ring, Bearing Spacer	2	2
17	883 695	Tube, Blanking Sleeve	1	—
18	432 496	Gear, Declutch and PTO	1	2
19	233 378	Bearing Cup	2	2
20	233 379	Bearing Cone	2	2
21	742 929	Shaft, Intermediate	1	1
22	736 887	Ring, Intermediate Shaft Spacer	1	1
23	432 497	Gear, Intermediate	1	1

SHIFT SHAFTS & RELATED PARTS TC-110 SINGLE-SPEED

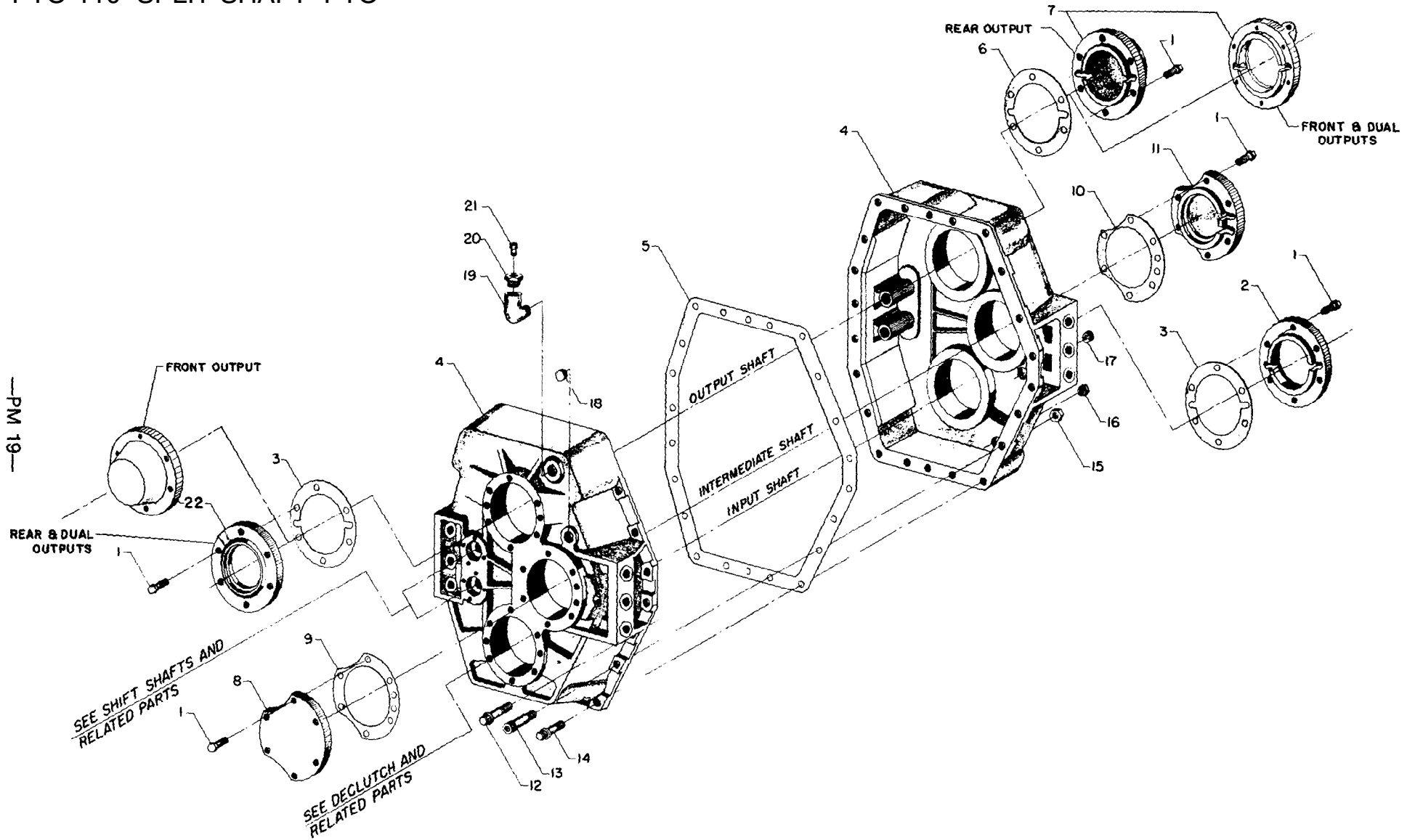
—PM 17—



**Shift Shaft and Related Parts
TC-110 Single Speed**

ITEM	PART NO.	DESCRIPTION	BASIC	WITH PTO
1	688 372	Nut, Hex Jam, 3/4-16	—	1
2	265 366	Bolt, 1/4-20 x 1	—	4
3	265 984	Bolt, Shift Rod Stop, Long	—	1
4	235 354	Cap, Shift Adjust	—	1
5	675 224	“O” Ring	—	4
6	742 942	Shaft, Shift	—	1
7	947 223	Lockwire	—	1
8	265 768	Bolt, 7/16-20 x 1 1/2 Drilled Head	—	2
9	367 254	Fork, Shift	—	1
10	883 479	Tube, Shift Cylinder Adapter	—	1
11	777 465	Spring, Shift Shaft	—	1
13	782 288	“O” Ring, Piston Shaft	—	1
14	339 223	Felt Wiper	—	1
15	753 232	Piston Shift	—	1
16	675 326	“O” Ring	—	1
17	927 643	Washer	—	1
18	688 464	Nut, Flexloc	—	1
19	883 887 002	Tube, Shift Cylinder, 3.375 Long	—	1
20	235 352	Cap, Shift Cylinder	—	1
21	265 772	Bolt, 1/4-20 x 4 1/2	—	4
22	265 343	Bolt, 1/4-20 x 1/2 (Cover)	16	8
23	235 372	Cap, Cover	4	2
24	427 399	Gasket, Shift Shaft Cap	4	—

CASE, BEARING CAPS, & RELATED PARTS PTO-110 SPLIT-SHAFT PTO



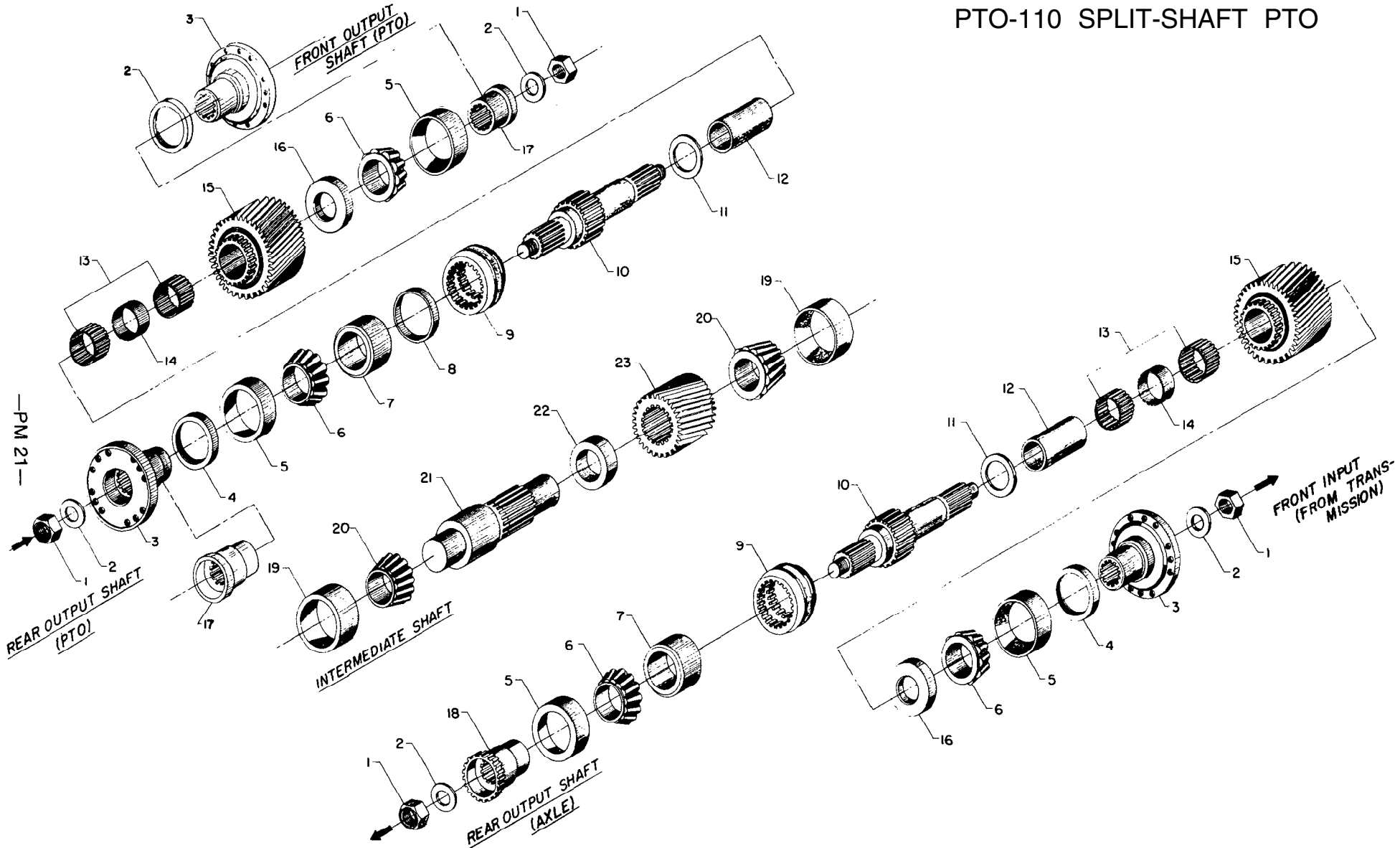
**Case, Bearing Caps and Related Parts
PTO-110**

ITEM	PART NO.	DESCRIPTION	FRONT OUTPUT	DUAL OUTPUT	REAR OUTPUT
1	265 238	Bolt ^{7/16} -14 x 1 1/4	30	30	30
2	237 357	Carrier Seal	1	1	1
3	427 372	Gasket, Seal Carrier	2	2	2
4	468 012	Housing, Ass'y, Transfer Case (Incl. 724 532 Bolts & 688 564 Nuts, Qty.-4)	1	1	1
5	427 373	Gasket, Main Case	1	1	1
6	744 278	Shim, Upper Shaft .030 Thick (Coral)	}	As Required (See Note 1)	
	744 279	Shim, Upper Shaft .015 Thick (Pink)			
	744 282	Shim, Upper Shaft .005 Thick (Blue)			
	744 283	Shim, Upper Shaft .002 Thick (Red)			
7	235 353	Cap, Upper Front Case	—	—	1
	237 438	Carrier, Upper Front	1	1	-
8	235 392	Cap, Intermediate Shaft, Rear	1	1	1
9	427 374	Gasket, Intermediate Shaft, Cap	1	1	1
10	744 289	Shim, Inter. Shaft .030 Thick (Coral)	}	As Required (See Note 1)	
	744 292	Shim, Inter. Shaft .015 Thick (Pink)			
	744 293	Shim, Inter. Shaft .005 Thick (Blue)			
	744 294	Shim, Inter. Shaft .002 Thick (Red)			
11	235 442	Cap, Intermediate Shaft Front	1	1	1
12	724 532	Screw, 1/2-13 x 2 3/4 Ferryhead	6	6	6
13	265 837	Bolt, 5/8 x 2 Shoulder	2	2	2
14	724 529	Screw, 1/2-13 x 1 3/4 Ferryhead	8	8	8
15	688 564	Nut, 1/2-13 Flexloc	8	8	8
16	758 274	Plug, 3/4 Mag. Socket Head Pipe	1	1	1
17	758 268	Plug, 3/4	1	1	1
18	758 344	Plug, Breakoff, 3/4 NPT	1	1	1
19	359 267	3/4 x 90° Street Elbow	1	1	1
20	356 236	3/4-1/8 Pipe Bushing	1	1	1
21	836 222	Breather, 1/8 NPT	1	1	1
22	235 387	Cap, Upper Rear	1	-	-
	237 439	Carrier, Upper Rear	—	1	1

NOTES:

1. Items 6 & 10 select shims to give .003-.008 end float on each shaft.

SHAFTS & RELATED PARTS PTO-110 SPLIT-SHAFT PTO

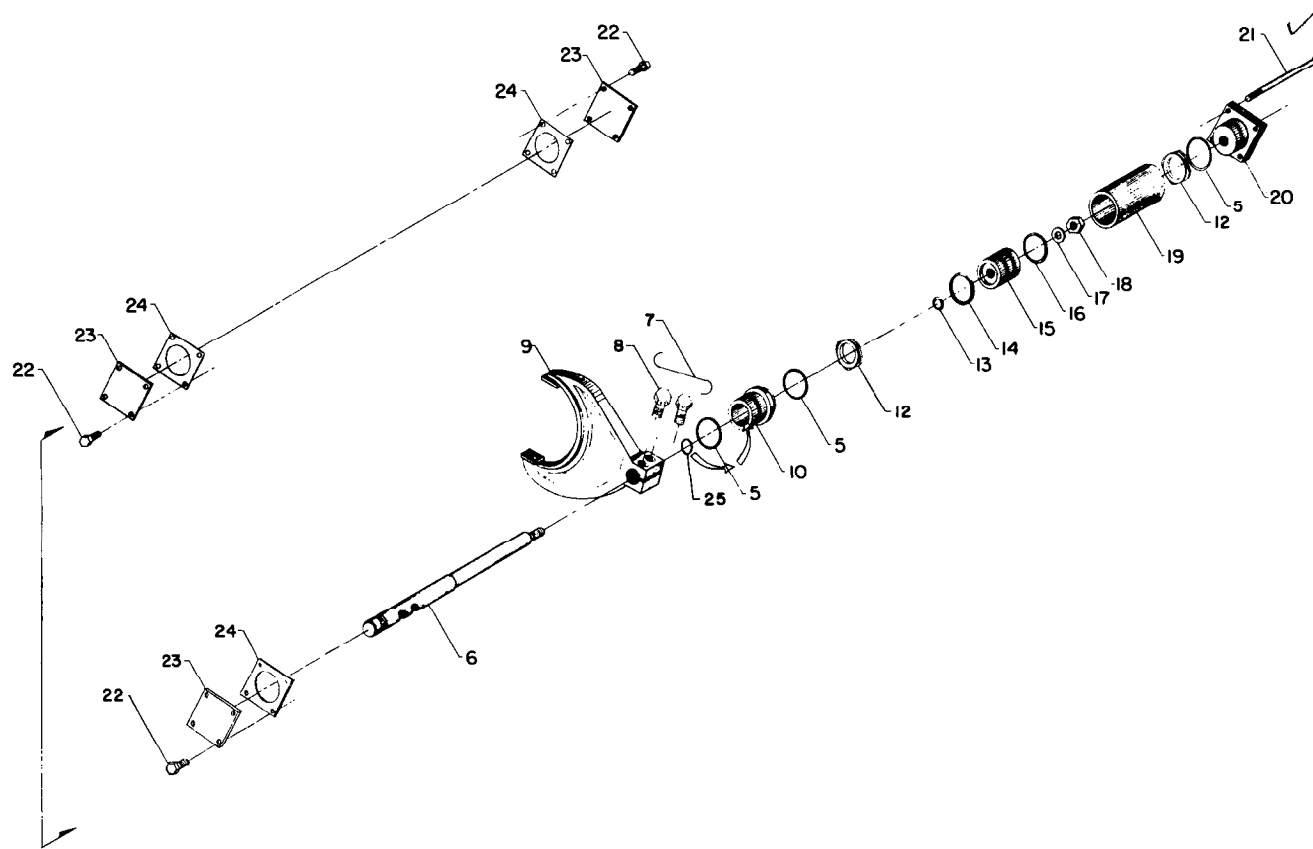


**Shafts and Related Parts
PTO-110**

ITEM	PART NO.	DESCRIPTION	FRONT OUTPUT	DUAL OUTPUT	REAR OUTPUT
1	688 639	Nut, 1 ¹ / ₂ -18	4	4	4
2	927 775 005	Washer, Hardened	4	4	4
3	352 387	Flange, Input-Output (1810)	2	3	2
	352 436	Flange, Input-Output (1710)			
4	732 328	Seal, Oil	2	3	2
5	233 282	Bearing Cup	4	4	4
6	233 283	Bearing Cone	4	4	4
7	736 846	Ring, Spacer	2	2	2
8	736 845	Ring, Spacer	1	1	1
9	432 426	Clutch Collar	2	2	2
10	742 932	Shaft, Input & Output	2	2	2
11	927 724	Thrust Washer	2	2	2
12	233 435	Bearing, Inner Race	2	2	2
13	233 436	Roller Bearing Ass'y.	4	4	4
14	736 849	Ring, Needle Bearing, Spacer	2	2	2
15	432 495	Gear, Upper & Lower	2	2	2
16	736 844	Ring, Bearing Spacer	2	2	2
17	883 695	Tube, Blanking Sleeve	1	-	1
18	432 496	Gear, Declutch and PTO	1	1	1
19	233 378	Bearing Cup	2	2	2
20	233 379	Bearing Cone	2	2	2
21	742 929	Shaft, Intermediate	1	1	1
22	736 887	Ring, Intermediate Shaft Spacer	1	1	1
23	432 497	Gear, Intermediate	1	1	1

SHIFT SHAFTS & RELATED PARTS PTO-110 SPLIT-SHAFT PTO

—PM 23—

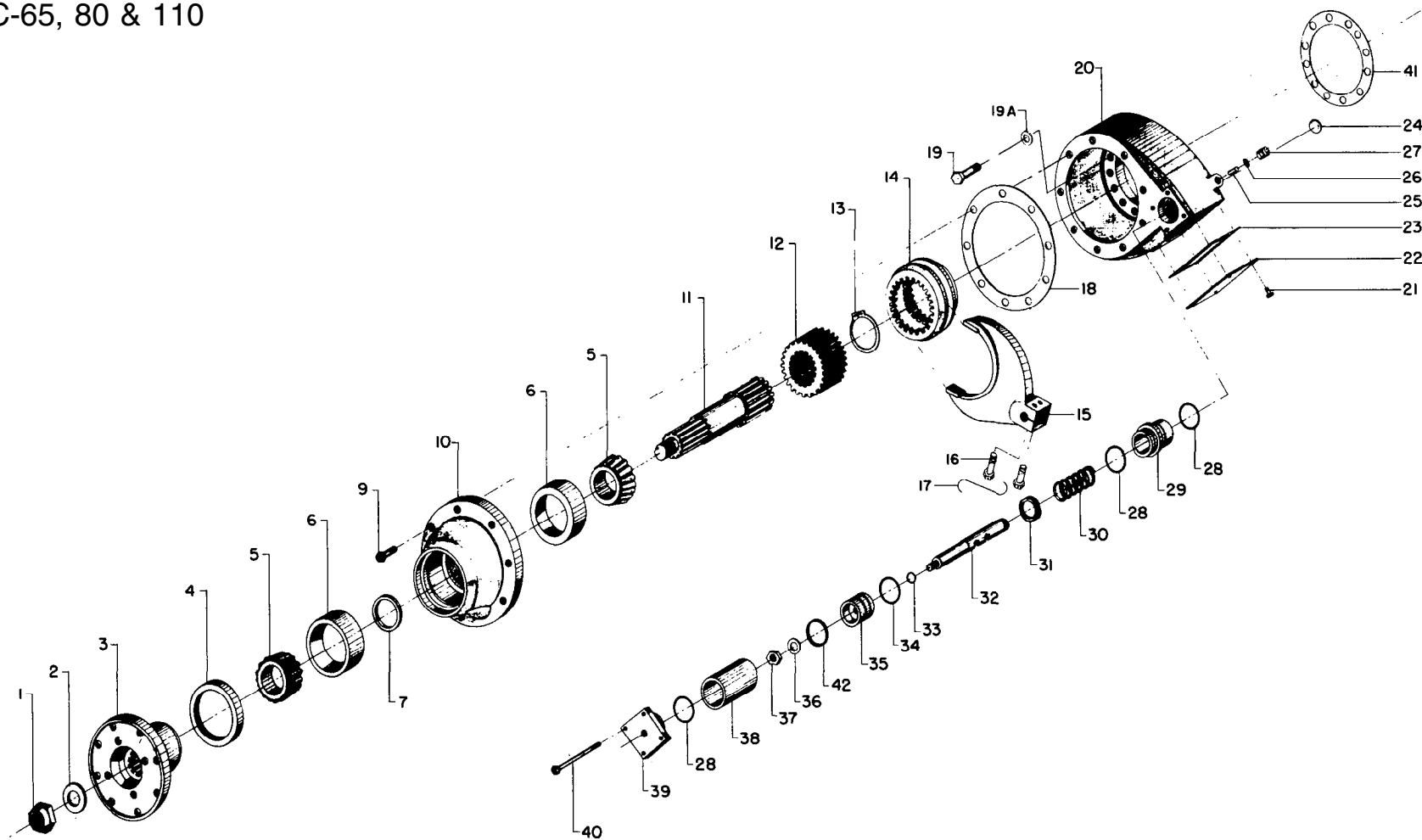


**Shift Shaft and Related Parts
PTO-110**

ITEM	PART NO.	DESCRIPTION	
			3
5	675 224	O-Ring	1
6	769 262	Shaft, Shift	1
7	947 223	Lockwire	2
8	265 768	Bolt, $7/16$ -20 x $1\frac{1}{2}$ Drilled Head	1
9	367 254	Fork, Shift	1
10	883 877	Tube, Shift Cylinder Adapter	1
12	736 747	Stop Ring	2
13	782 288	O-Ring, Piston Shaft	1
14	339 223	Felt Wiper	1
15	753 232	Piston Shift	1
16	675 326	O-Ring	1
17	927 643	Washer	1
18	688 464	Nut, Flexloc	1
19	883 887 004	Tube, Shift Cylinder, 2.938 Long	1
20	235 352	Cap, Shift Cylinder	1
21	265 982	Bolt, $1/4$ -20 x $4\frac{3}{4}$	4
22	265 343	Bolt, $1/4$ -20 x $1/2$ (Cover)	12
23	235 372	Cap, Cover	3
24	427 399	Gasket, Shift Shaft Cap	3
25	675 316	O-Ring	1

DECLUTCH & RELATED PARTS TC-65, 80 & 110

—PM 25—



Declutch and Related Parts
TC-65, TC-80 & TC-110

ITEM	PART NO.	DESCRIPTION	QUANTITY
1	688 633	Nut, Self Locking	1
2	927 775 002	Washer, Hardened	1
3	352 428	Flange, Output (1710)	1
	352 344	Flange, Output (1550/1710)	1
4	732 328	Seal, Oil	1
5	233 377	Bearing Cone	2
6	233 376	Bearing Cup	2
7	736 767	Ring, Bearing Spacer .323 Thick	One As
	736 797	Ring, Bearing Spacer .328 Thick	Required
	736 896	Ring, Bearing Spacer .313 Thick	(See Note 2)
	736 897	Ring, Bearing Spacer .318 Thick	
9	265 238	Bolt, 7/16-14 x 1 1/4	8
10	237 359	Carrier, Bearing and Seal	1
11	742 797	Shaft, Front Drive	1
12	432 427	Clutch Gear	1
13	762 288	Snap Ring	1
14	432 426	Clutch Collar	1
15	367 254	Fork, Shift	1
16	265 768	Bolt, 7/16-20 x 1 1/2 Drilled Head	2
17	947 223	Lockwire	1
18	427 375	Gasket	1
19	724 677	Capscrew, Ferry Hd., 7/16-14 x 2 1/4	6
20	468 478	Housing, Declutch	1
21	265 343	Bolt, Capscrew 1/4-20 x 1/2	4
22	792 866	Plate, Declutch Unit Cover	1
23	427 376	Gasket, Declutch Cover	1

ITEM	PART NO.	DESCRIPTION	QUANTITY
24	758 328	Plug, 1" Welch	1
25	746 628	Pin, 5/16 Dia. x 1 1/4	1
26	927 427	Washer, Copper	1
27	798 245	Switch, Shift Indicating	1
28	675 224	"O" Ring	3
29	883 482	Tube, Shift Cylinder Adapter	1
30	777 477	Spring, Shift Shaft	1
31	736 747	Stop Ring	1
32	742 799	Shaft, Shift	1
33	782 288	"O" Ring, Piston Shaft Seal	1
34	339 223	Felt Wiper	1
35	753 232	Piston, Shift	1
36	927 643	Washer	1
37	688 464	Nut, Flexloc	1
38	883 887 001	Tube, Shift Cylinder, 2.75 Long	1
39	235 352	Cap, Shift Cylinder	1
40	265 769	Bolt, Capscrew 1/4-20 x 3 3/4	4
41	744 278	Shim, Lower Shaft .030 Thk (Coral)	As Required (See Note 1)
	744 279	Shim, Lower Shaft .015 Thk (Pink)	
	744 282	Shim, Lower Shaft .005 Thk (Blue)	
	744 283	Shim, Lower Shaft .002 Thk (Red)	
42	675 326	"O" Ring	1

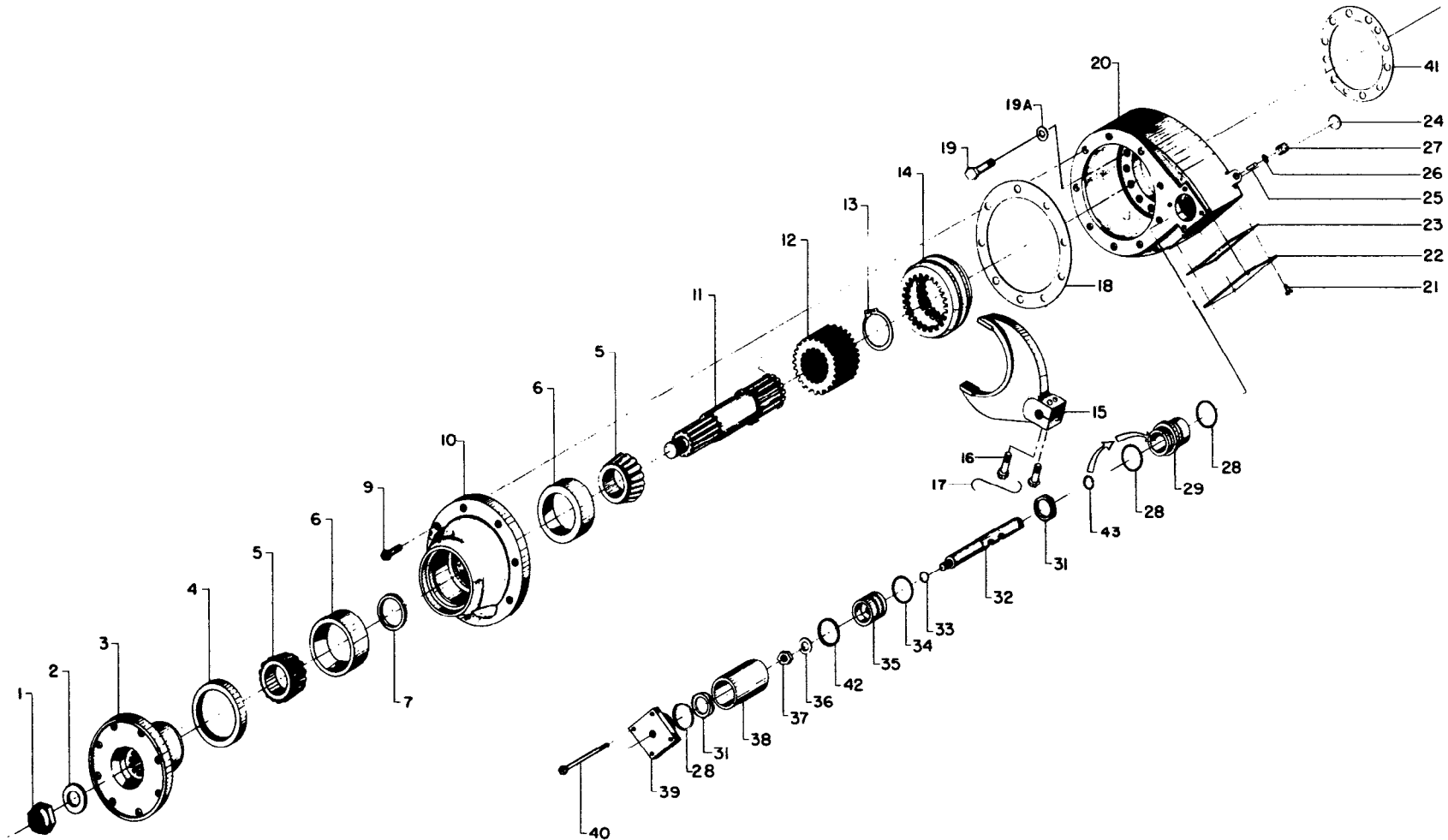
Notes:

- 1.1 Item 41 select shims to give .003-.008 end float on shaft.
- 2.1 Item 7 select spacer to give .003-.008 end float on shaft.

—PM 26—

DECLUTCH & RELATED PARTS PTO-110 SPLIT-SHAFT PTO

—PM 27—



**Declutch and Related Parts
PTO-110**

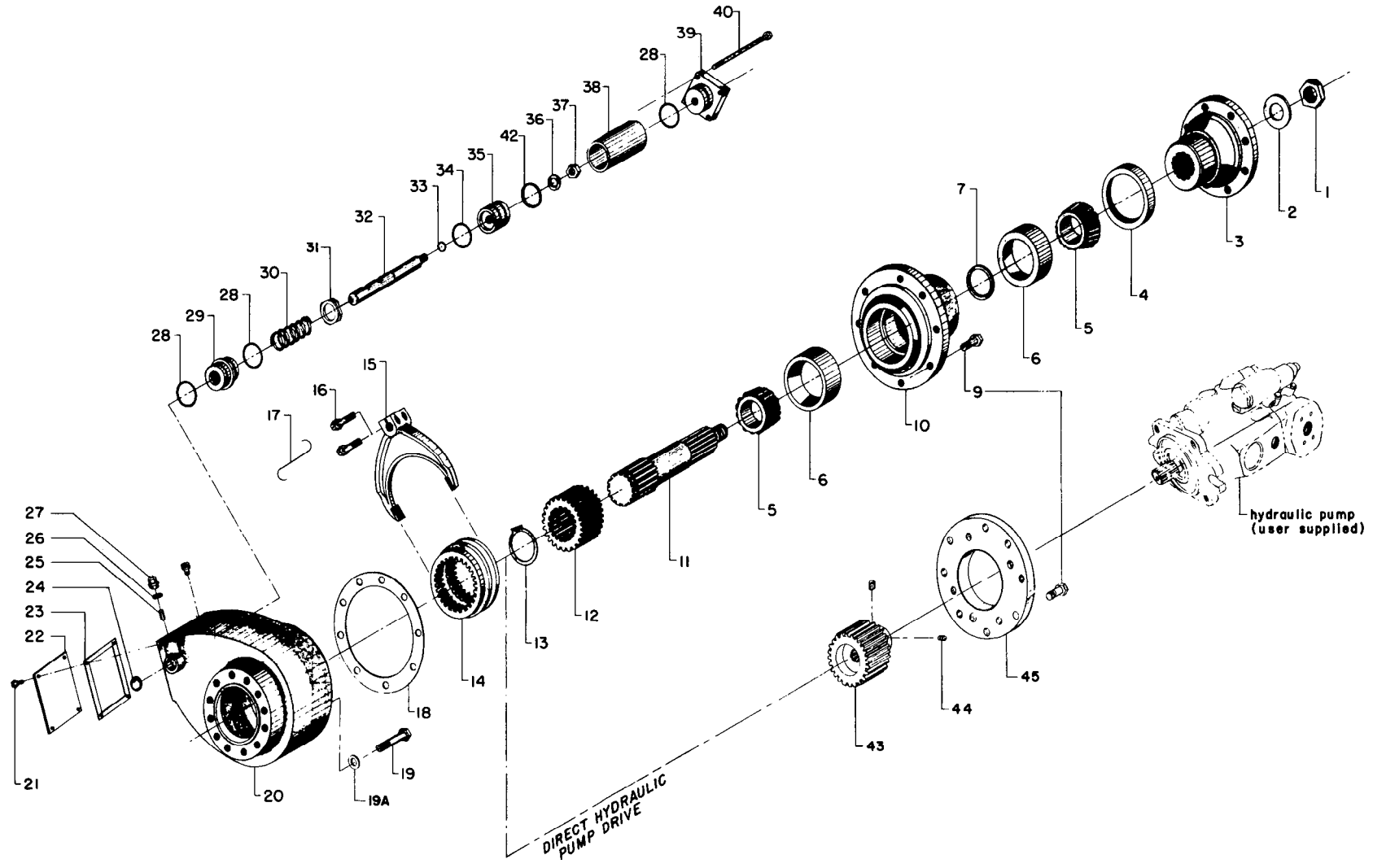
ITEM	PART NO.	DESCRIPTION	QUANTITY	ITEM	PART NO.	DESCRIPTION	QUANTITY
1	688 639	Nut, Self Locking	1	23	427 376	Gasket, Declutch Cover	1
2	927 775 005	Washer, Hardened	1	24	758 328	Plug, 1" Welch	1
3	352 457	Flange, Output (1710)	1	25	746 628	Pin, 5/16 Dia. x 1 1/4	1
	352 458	Flange, Output (1810)		26	927 427	Washer, Copper	1
4	732 328	Seal, Oil	1	27	798 245	Switch, Shift Indicating	1
5	233 443	Bearing Cone	2	28	675 224	O-Ring	3
6	233 444	Bearing Cup	2	29	883 877	Tube, Shift Cylinder Adapter	1
7	736 939	Ring, Bearing Spacer .360 Thick	One As Required (See Note 2)	31	736 747	Stop Ring	2
	736 942	Ring, Bearing Spacer .365 Thick		32	769 263	Shaft, Shift	1
	736 943	Ring, Bearing Spacer .370 Thick		33	782 288	O-Ring, Piston Shaft Seal	1
	736 944	Ring, Bearing Spacer .375 Thick		34	339 223	Felt Wiper	1
	736 959	Ring, Bearing Spacer .380 Thick		35	753 232	Piston, Shift	1
	736 962	Ring, Bearing Spacer .385 Thick		36	927 643	Washer	1
9	265 238	Bolt,	8	37	688 464	Nut, Flexloc	1
10	237 427	Carrier, Bearing and Seal	1	38	883 887 004	Tube, Shift Cylinder, 2.94 Long	1
11	769 259	Shaft, Front Drive	1	39	235 352	Cap, Shift Cylinder	1
12	432 427	Clutch Gear	1	40	265 982	Bolt, Capscrew 1/4-20 x 4 3/4	4
13	762 288	Snap Ring	1	41	744 278	Shim, Lower Shaft .030 Thick (Coral)	As Required (See Note 1)
14	432 426	Clutch Collar	1		744 279	Shim, Lower Shaft .015 Thick (Pink)	
15	367 254	Fork Shift	1		744 282	Shim, Lower Shaft .005 Thick (Blue)	
16	265 768	Bolt, 7/16-20 x 1 1/2 Drilled Head	2		744 283	Shim, Lower Shaft .002 Thick (Red)	
17	947 223	Lockwire	1	42	675 326	O-Ring	1
18	427 375	Gasket	1	43	675 316	O-Ring	1
19	724 677	Capscrew, Ferry Hd., 7/16-14 x 2 1/4	6				
20	468 478	Housing, Declutch	1				
21	265 343	Bolt, Capscrew 1/4-20 x 1/2	4				
22	792 866	Plate, Declutch Unit Cover	1				

NOTES:

1. Item 41 select shims to give .003-.008 end float on shaft.
2. Item 7 select spacer to give .003-.008 end float on shaft.

PTO & RELATED PARTS

—PM 29—



**P.T.O and Related Parts
TC-65, TC-80 & TC-110**

ITEM	PART NO.	DESCRIPTION	QUANTITY	ITEM	PART NO.	DESCRIPTION	QUANTITY
1	688 633	Nut, Self Locking	1	20	468 478	Housing, P.T.O.	1
2	927 775 002	Washer, Hardened	1	21	265 343	Bolt, Capscrew ¼-20 x ½	4
3	352 344	Flange, P.T.O. (1550/1710)	1	22	792 866	Plate, P.T.O. Unit Cover	1
4	732 328	Seal, Oil	1	23	427 376	Gasket, P.T.O. Cover	1
5	233 377	Bearing Cone	2	24	758 328	Plug, 1" Welch	1
6	233 376	Bearing Cup	2	25	746 628	Pin, 5/16 Dia. x 1¼	1
7	736 767	Ring, Bearing Spacer .323 Thick	As Required (See Note 1)	26	927 427	Washer, Copper	1
	736 797	Ring, Bearing Spacer .328 Thick		27	798 245	Switch, Shift Indicating	1
	736 896	Ring, Bearing Spacer .313 Thick		28	675 224	"O" Ring	3
	736 897	Ring, Bearing Spacer .318 Thick		29	883 482	Tube, Shift Cylinder Adapter	1
9	265 238	Bolt, 7/16-14 x 1¼	8	30	777 477	Spring, Shift Shaft	1
10	237 359	Carrier, Bearing and Seal	1	31	736 747	Stop Ring	1
11	742 797	Shaft, P.T.O. Drive	1	32	742 799	Shaft, Shift	1
12	432 427	Clutch Gear	1	33	782 288	"O" Ring, Piston Shaft Seal	1
13	762 288	Snap Ring	1	34	339 223	Felt Wiper	1
14	432 426	Clutch Collar	1	35	753 232	Piston, Shift	1
15	367 254	Fork, Shift	1	36	927 643	Washer	1
16	265 768	Bolt, 7/16-20 x 1½ Drilled Headl	2	37	688 464	Nut, Flexloc	1
17	947 223	Lockwire	1	38	883 887 001	Tube, Shift Cylinder, 2.75 Long	1
18	427 375	Gasket	1	39	235 352	Cap, Shift Cylinder	1
19	724 677	Capscrew, Ferry Hd., 7/16-14 x 2¼	1	40	265 769	Bolt, ¼-20 x 3¼	4
			6	42	675 326	"O" Ring	1

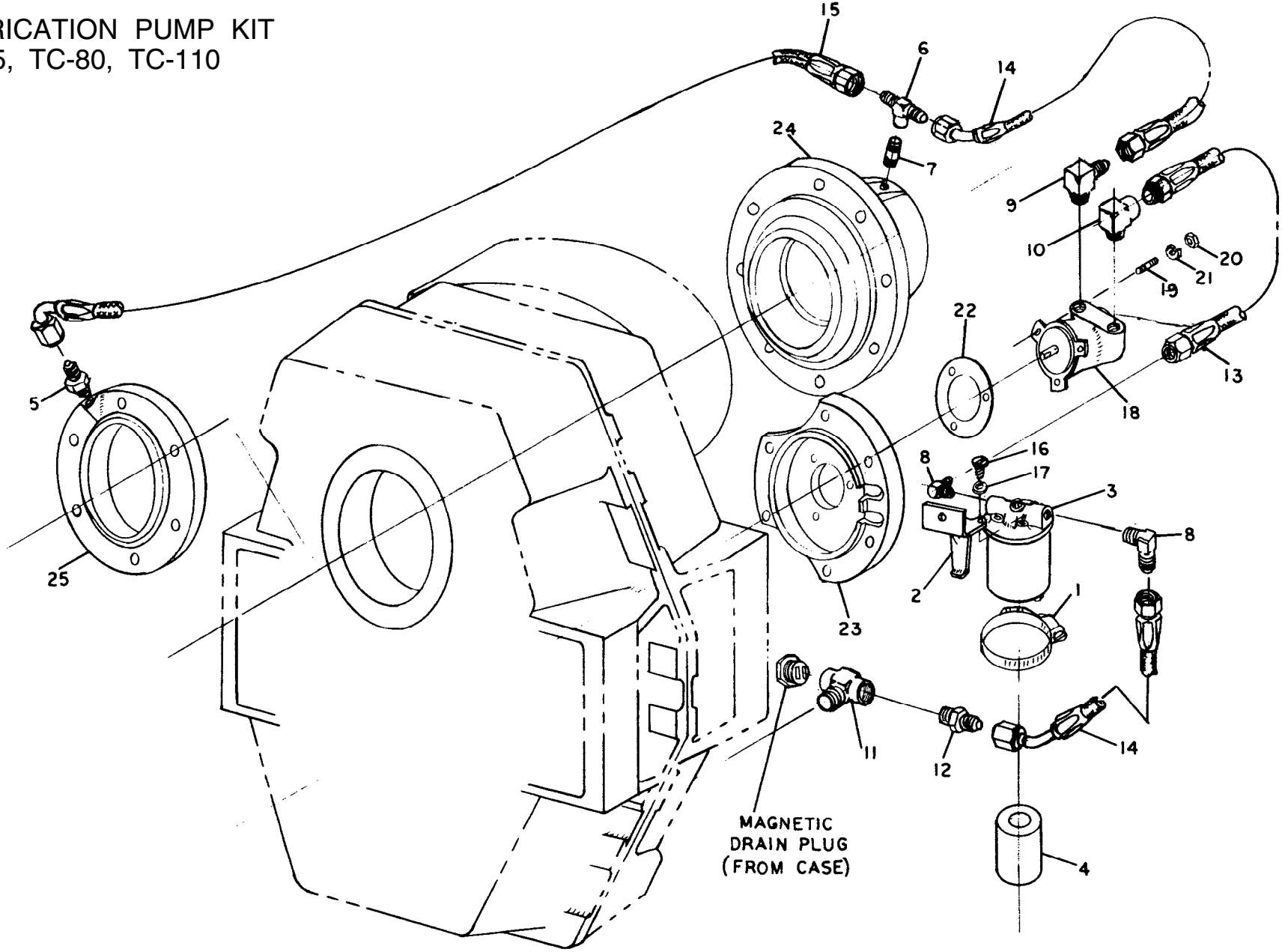
Note:

1.1 Item 7 select spacer to give .003-.008 end float on shaft.1

—PM 30—

LUBRICATION PUMP KIT
TC-65, TC-80, TC-110

—PM 31—



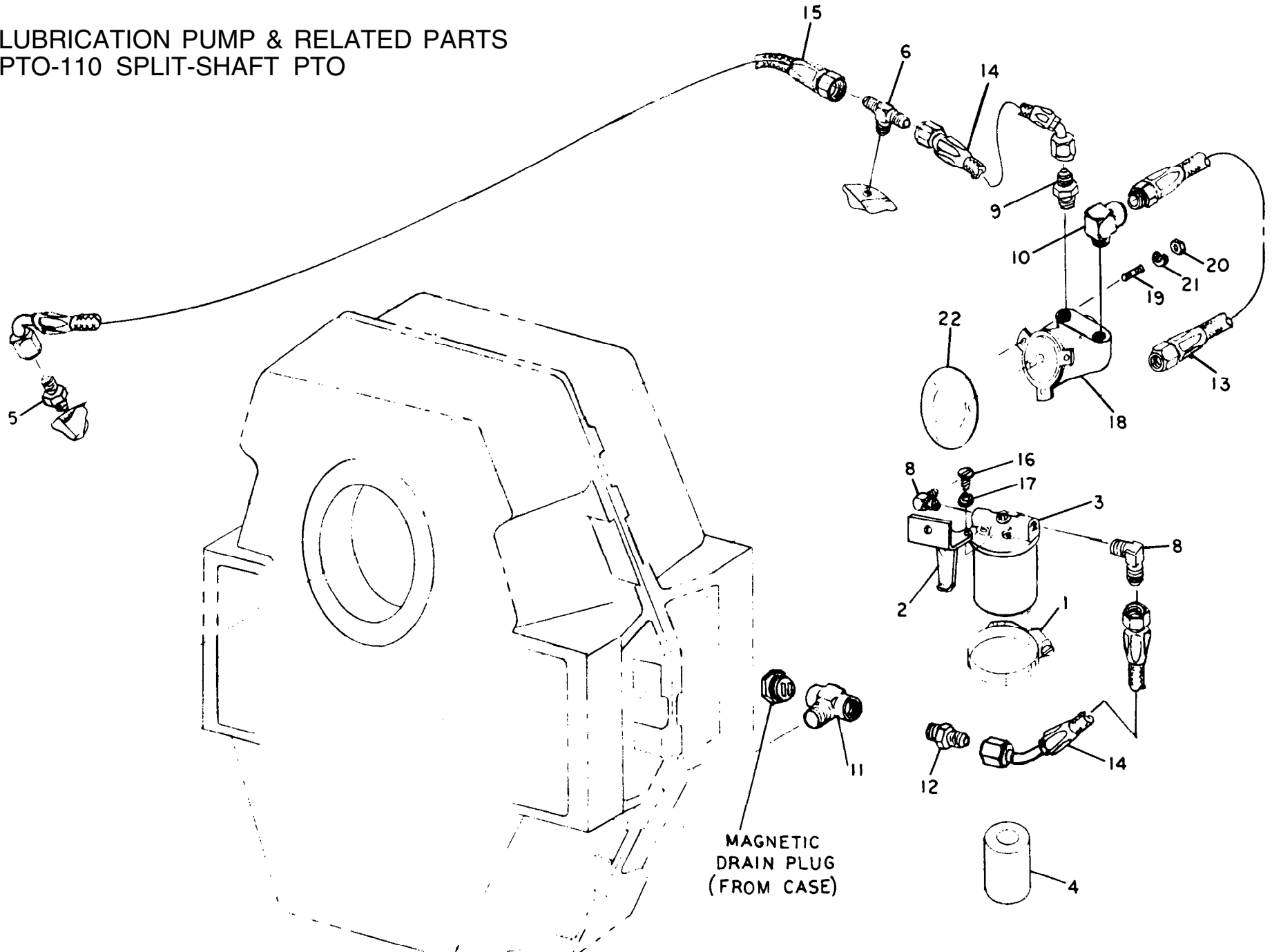
786 314 Kit,
Lubrication Pump TC-65, 80, 110

ITEM	PART NO.	DESCRIPTION	QUANTITY	ITEM	PART NO.	DESCRIPTION	QUANTITY
1	255 244	Clamp, Hose	1				
2	273 688	Bracket, Oil Filter Mtg.	1	23	235 442	Cap, Intermediate, Pump Mtg. (Replaces 235 348)	1
3	345 262	Filter Housing	1	24	237 393	Carrier, Brg. & Seal, PTO (Replaces 237 359)	1
4	345 263	Filter Cartridge	1	25	237 439	Carrier, Seal, Input (Replaces 237 357)	1
5	357 287	Adapter, Male, 1/4 NPT x 9/16-18, 37° JICI	1				
6	357 385	Tee, 9/16-18 x 1/4 NPT F x 9/16-18I	1				
7	357 544	Nipple, Hex, 1/4	1				
8	357 628	Elbow, 90°, 3/8 NPT M x 9/16-18, 37°	2				
9	357 697	Elbow, 90°, 1/2 NPT M x 9/16-18, 37° JICI	1				
10	357 929	Elbow, 90°, 1/2 NPT x 3/8 FPT	1				
11	357 942	Tee, 3/4 NPT Male Branch					
12	357 949	Connector, Male 3/4 NPT, 9/16-18, 37° JICI					
13	469 786	Hose Ass'y, Filter to Pump					
14	469 796	Hose Ass'y, Sump to Filter & Pump to Tee					
15	469 826	Hose Ass'y, Tee to Front					
16	724 386	Screw, Self-Tapping, 1/4-20 x 1/4					
17	927 338	Washer, Spring Lock, 1/4					
18	786 287	Pump, Oil					
19	788 488	Stud, 1/4-20 x 1/4-28 x 1 1/4					
20	688 323	Nut, Hex, 1/4-28					
21	927 355	Washer, Lock, Int. Tooth, 1/4					
22	427 435	Gasket, Oil Pump					

—PM 32—

LUBRICATION PUMP & RELATED PARTS PTO-110 SPLIT-SHAFT PTO

—PM 33—



**Lubrication Pump and Related Parts
PTO-110**

ITEM	PART NO.	DESCRIPTION	QUANTITY
1	255 244	Clamp, Hose	1
2	273 688	Bracket, Oil Filter Mtg.	1
3	345 262	Filter Housing	1
4	345 263	Filter Cartridge	1
5	357 287	Adapter, Male, 1/4 NPT x 9/16-18, 37° JIC	1
6	357 633	Tee, 9/16-18 x 1/4 NPT M x 9/16-18	1
8	357 628	Elbow 90° 3/8 FPT	2
9	357 288	Adapter, Male, 9/16-18 x 1/2 NPT	1
10	357 929	Elbow 90°, 1/2 x 3/8 FPT	1
11	357 942	Tee, 3/4 NPT x 3/8 FPT	1
12	357 949	Connector, Male 3/4 NPT, 9/16-18, 37° JIC	1
13	469 786	Hose Ass'y., Filter to Pump	1
14	469 796	Hose Ass'y., Sump to Filter & Pump to Tee	2
15	469 795	Hose Ass'y., Tee to Front	1
16	724 386	Screw, Self-Tapping, 1/4-20 x 1/4	2
17	927 338	Washer, Spring Lock, 1/4	2
18	786 286	Pump, Oil	1
19	788 488	Stud, 1/4-20 x 1/4-28 x 1 1/4	3
20	688 323	Nut, Hex, 1/4-28	3
21	927 355	Washer, Lock, Int. Tooth, 1/4	3
22	427 435	Gasket, Oil Pump	1

OVERHAUL KITS:

PART NO.	DESCRIPTION
233 302	TC-65 Bearing Kit
233 303	TC-80 Bearing Kit
233 309	TC-110 Bearing Kit
427 301	TC-65, 80 & 110 <u>Seal and Gasket Kit</u>
427 314 ~ 001	TC-65, 80 & 110 Gasket Kit
872 490	Shim Kit
233 311	TC-65, 80 & 110 Declutch Bearing Overhaul Kit
233 312	PTO-110 Declutch Bearing Overhaul Kit
295 309	Shift Cylinder Overhaul Kit