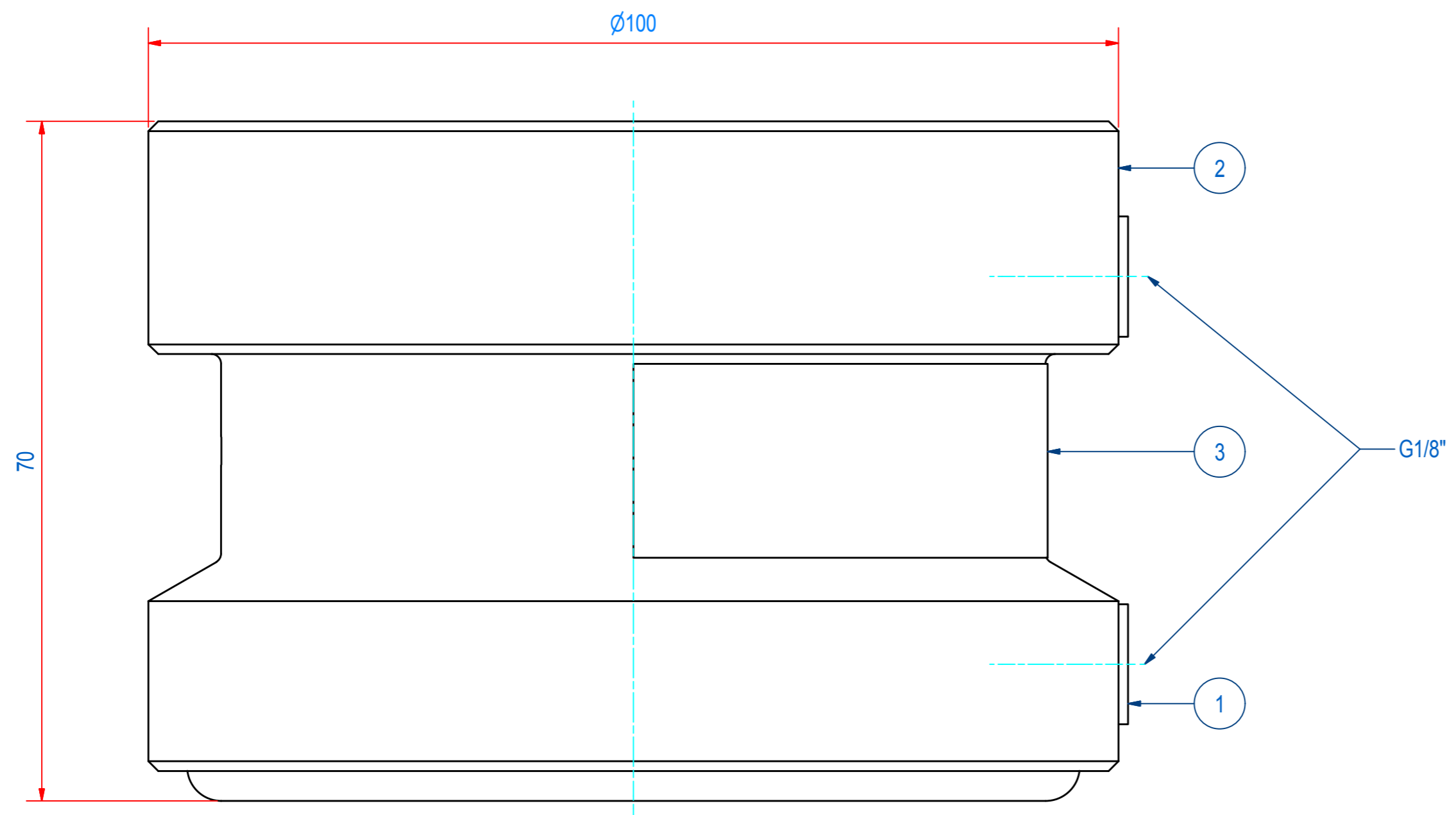
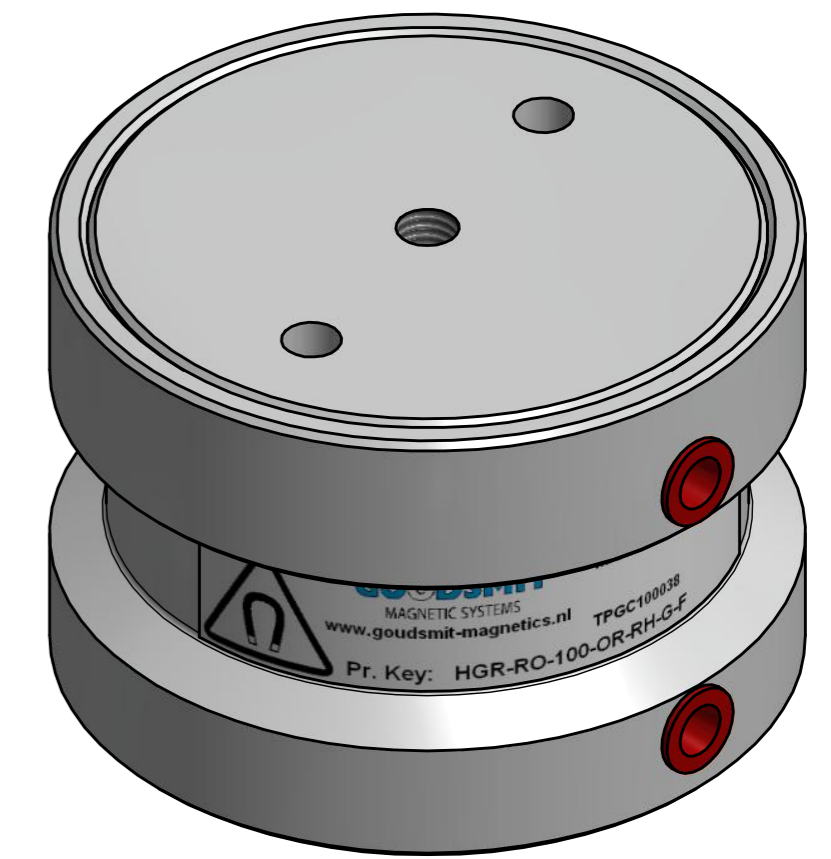
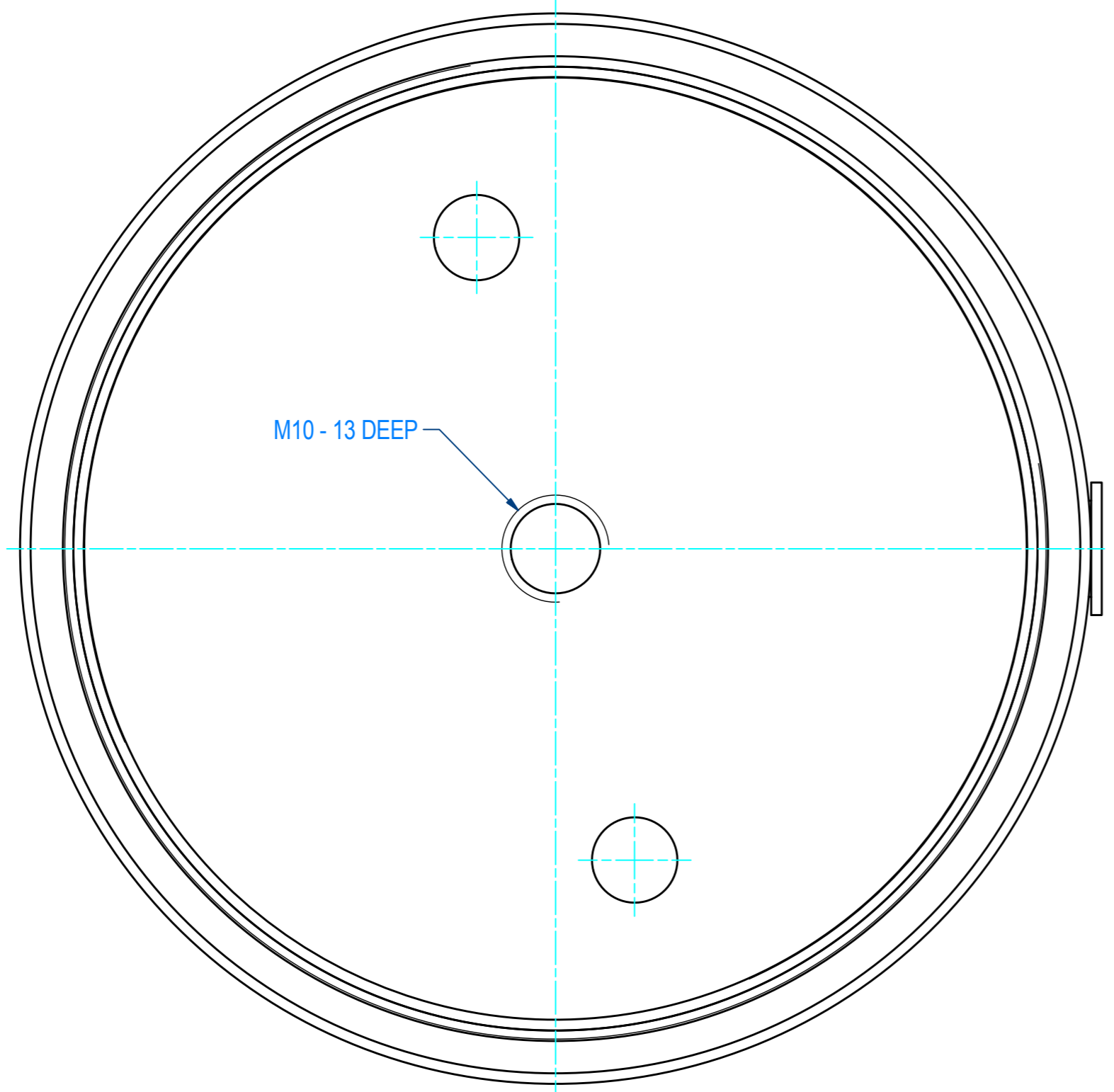


REV	DATE	BY	DESCRIPTION
-	3-4-2013	BS	NEW VAULT, NOTHING CHANGED, IS EQUAL TO OLD REVISION D
A	16-7-2014	PB	NICKEL PLATED WAS ANODIC OXIDATION (COLOUR: ORANGE)



ITEM	QTY	PART NUMBER	DESCRIPTION	Dimensions
3	1	E0038123	STICKER TPGC100038	
2	1	M61601	MOUNTING ASSY TPGC100038	
1	2	1009.30012	PLUG LDPE G1/8"	

RAW MAT.	QTY	MAT. NUMBER	MAT. DESCRIPTION	LENGTH (mm)	WIDTH (mm)
⊕	1				

Sheet: A2	Extra info: MAGNETIC GRIPPER	General tolerance: ISO 2768 - mK
Drawn: BS	Weight (kg): 1,1	Drawn according: ISO268; ISO1101; ISO2553
Date: 3-4-2013		Status: Standard
Spare part: False		Customer reference number:
Quick search: TPGC100	© All rights reserved. Reproduction is not permitted without written permission of GOUDSMIT Magnetic Systems BV	File number: TPGC100038 Rev: A
Description: HGR-RO-100-OR-RH-G-F		Part number: TPGC100038 Rev: A