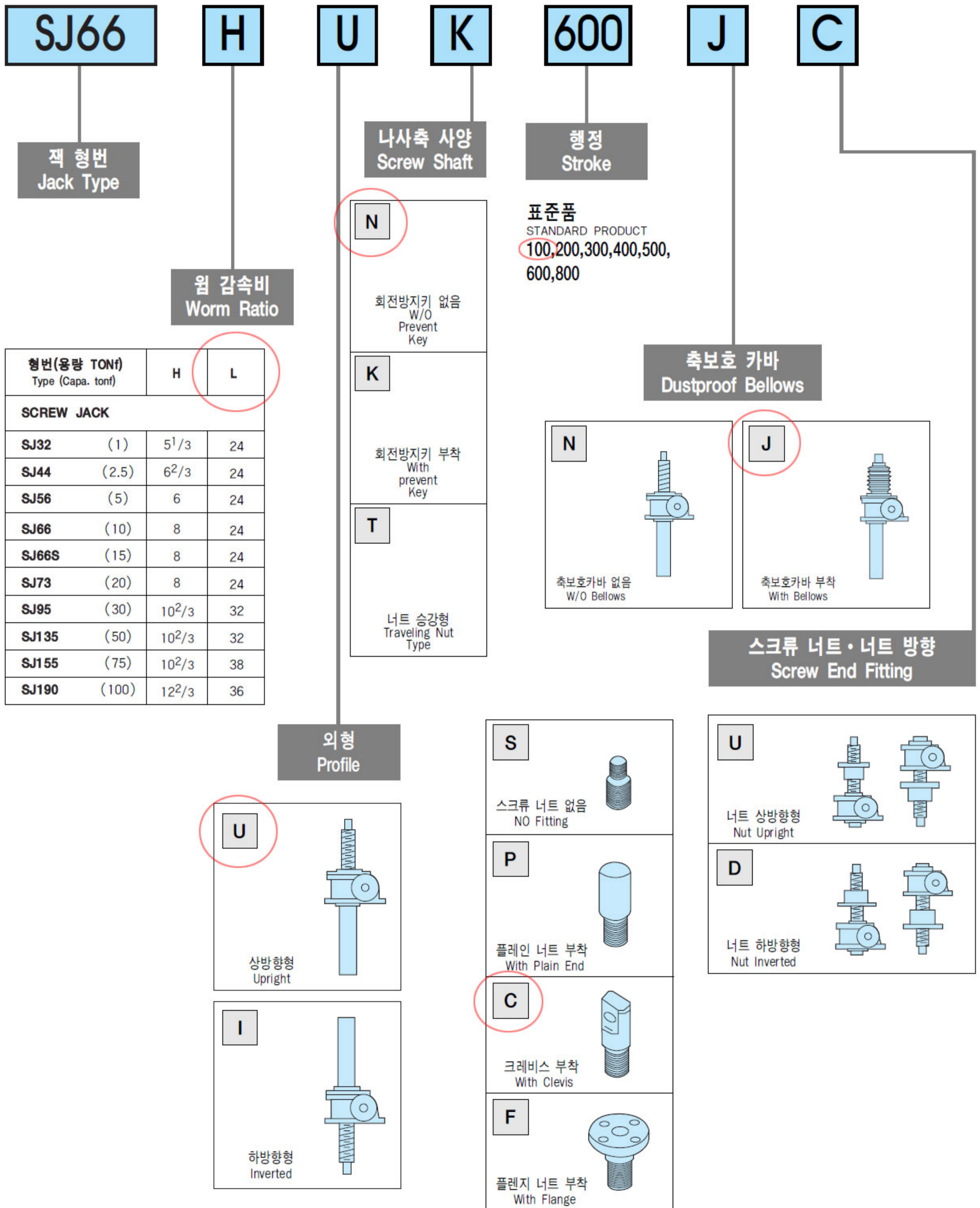
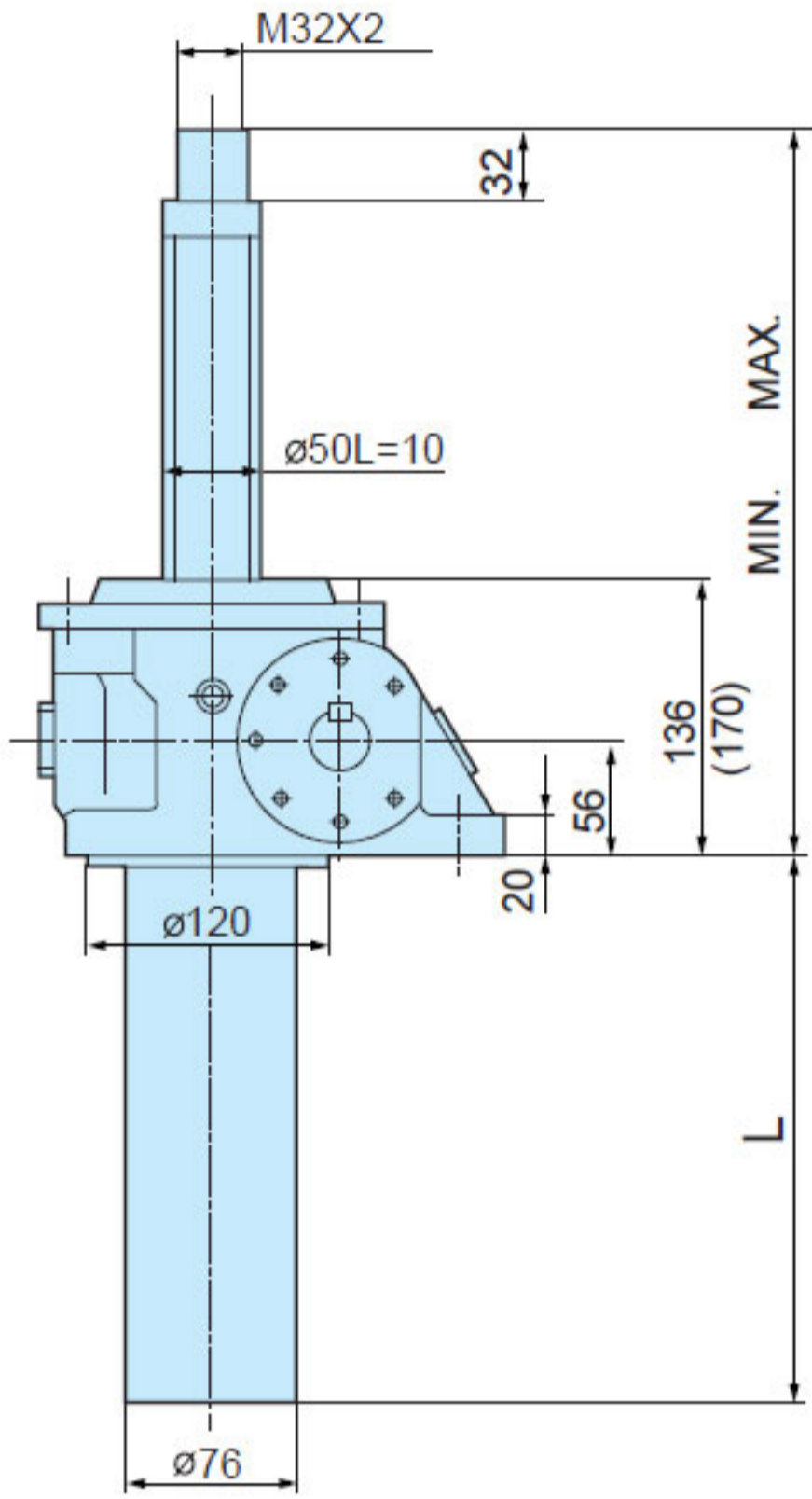


Products Code System

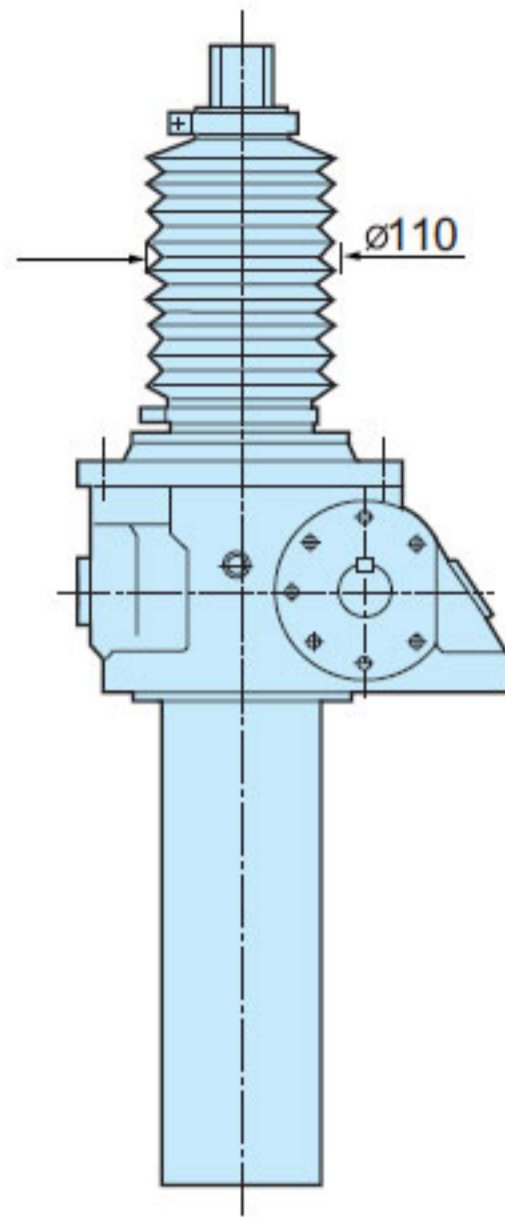


SJ 66 · Traveling Shaft Type (축승강형)

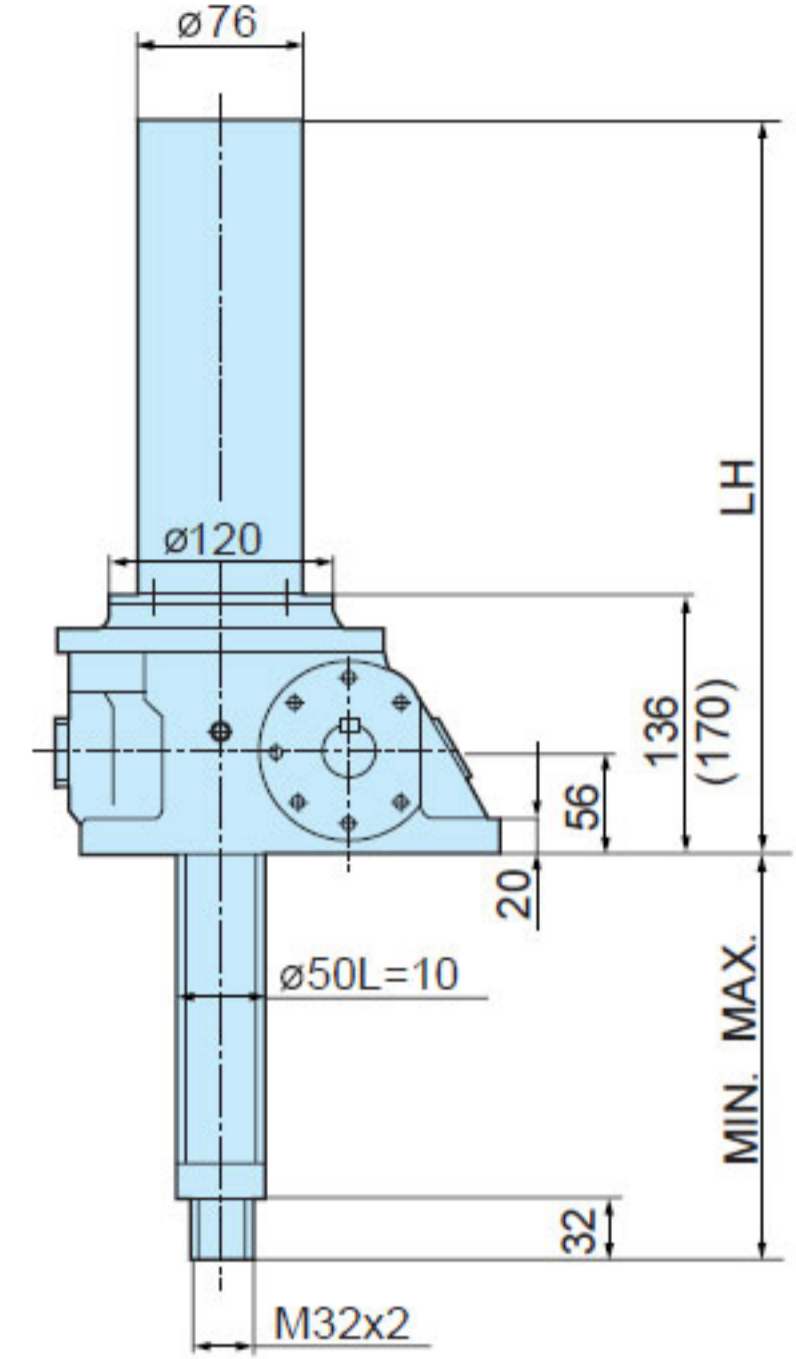
상방향형 Upright Traveling



보호카바 Dustproof Bellow

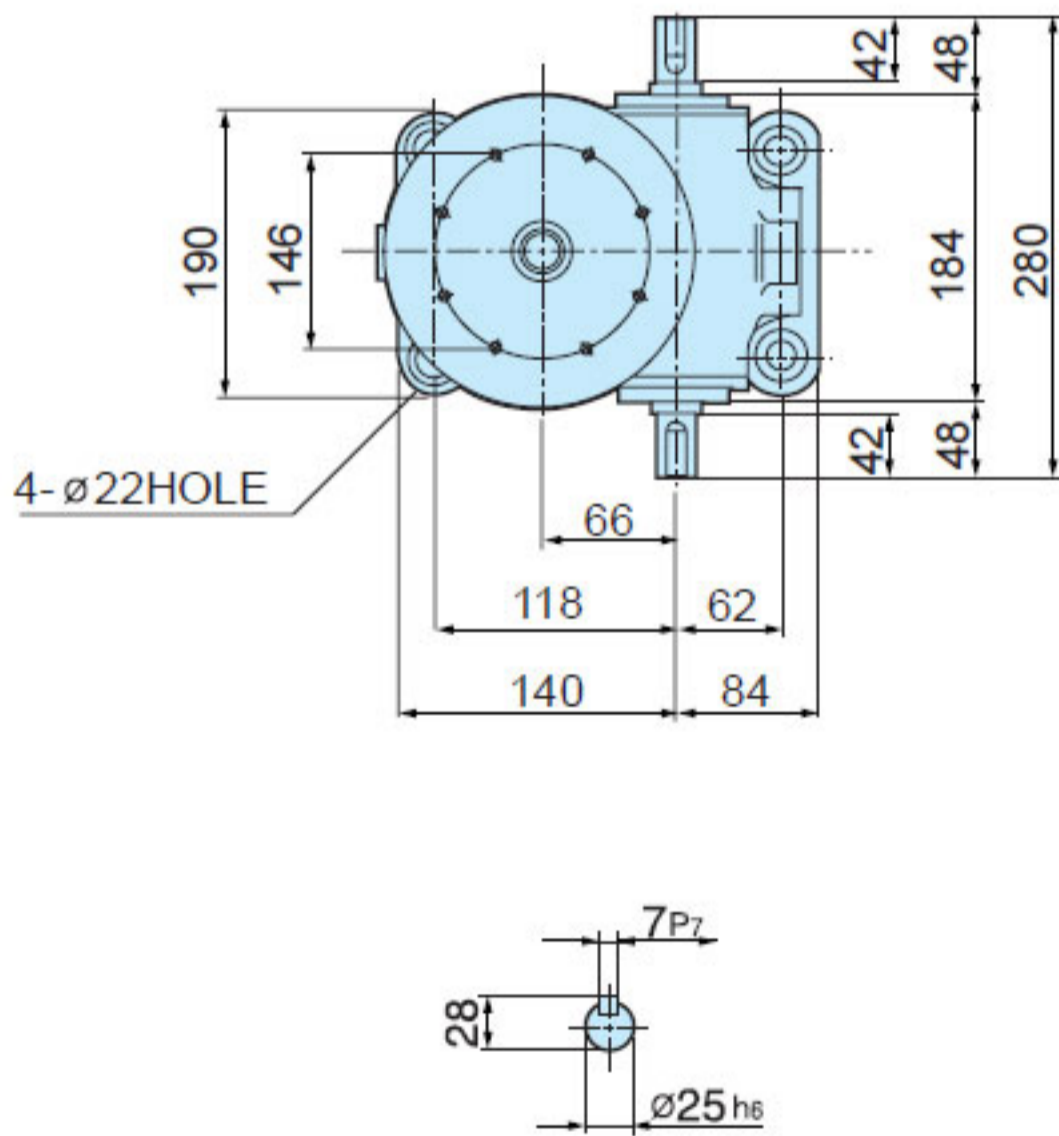


하방향형 Inverted Traveling

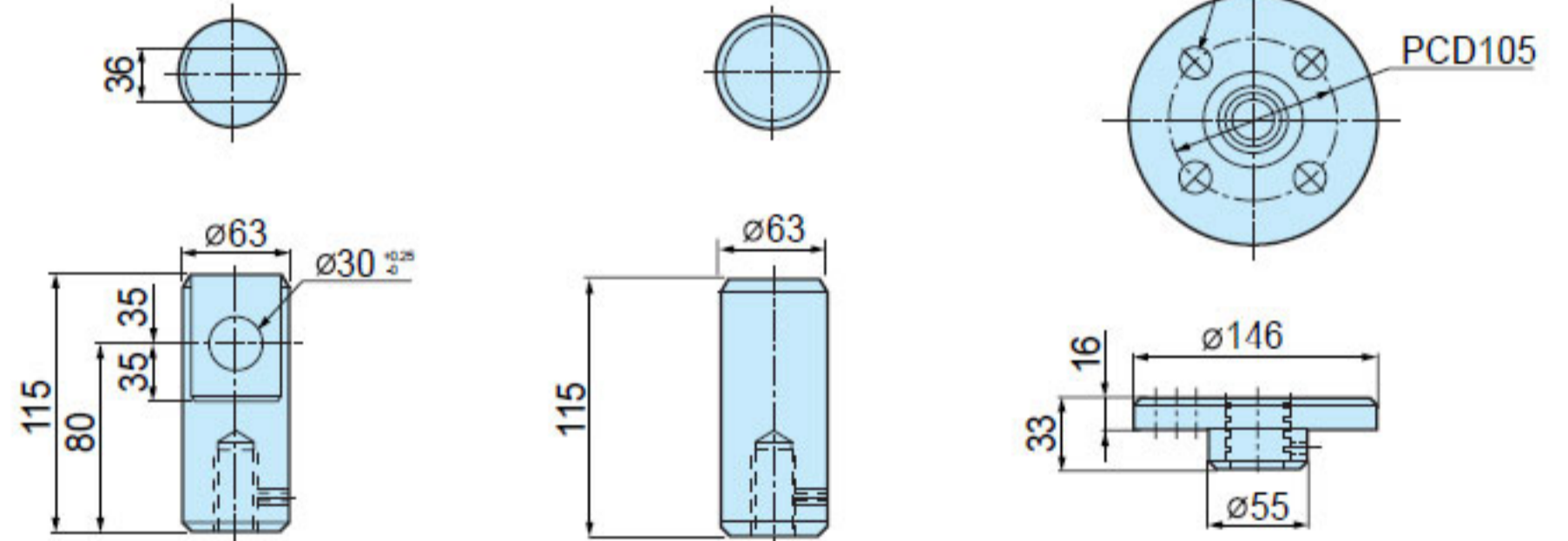


() : 회전방지키 설치시

평면도 Plane Figure



Dimension of Screw Nut



크레비스 너트 Clevis Nut

플레인 너트 Plain Nut

플렌지 너트 Flange Nut

SJ66 Screw Jack

행 STROKE 진	U 상방향형 (Upright Type)										I 하방향형 (Inverted Type)									
	N 회전방지키없음 (Prevent key Not Included)					k 회전방지키있음 (Prevent key Provided)					N 회전방지키없음 (Prevent key Not Included)					k 회전방지키있음 (Prevent key Provided)				
	N축보호카바없음 N: No Dustproof Cover		B축보호카바부착 B: Dustproof Cover		L	N축보호카바없음 N: No Dustproof Cover		B축보호카바부착 B: Dustproof Cover		L	N축보호카바없음 N: No Dustproof Cover		B축보호카바부착 B: Dustproof Cover		LH	N축보호카바없음 N: No Dustproof Cover		B축보호카바부착 B: Dustproof Cover		LH
	MIN	MAX	MIN	MAX		MIN	MAX	MIN	MAX		MIN	MAX	MIN	MAX		MIN	MAX	MIN	MAX	
100	185	285	225	325	160	220	320	260	360	160	50	150	90	190	295	50	150	90	190	330
200	185	385	225	425	260	220	420	260	460	260	50	250	90	290	395	50	250	90	290	430
300	185	485	260	560	360	220	520	295	595	360	50	350	125	425	495	50	350	125	425	530
400	185	585	260	660	460	220	620	295	695	460	50	450	125	525	595	50	450	125	525	630
500	185	685	260	760	560	220	720	295	795	560	50	550	125	625	695	50	550	125	625	730
600	185	785	300	900	660	220	820	335	935	660	50	650	165	765	795	50	650	165	765	830
800	185	985	300	1100	860	220	1020	335	1135	860	50	850	165	965	995	50	850	165	965	1030