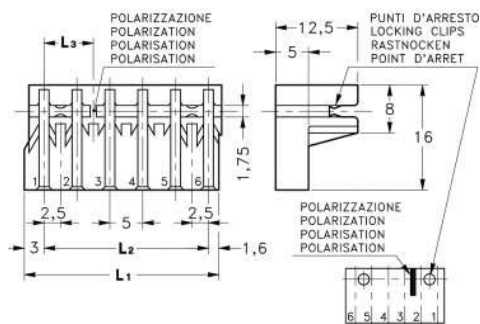




INAR-EDGE HOUSINGS OPEN WALL WITH POLARIZATION



POSITION	5
L1	24.60
L2	20.00
L3	7.50
PN	0864094700
BASE MATERIAL	PA 66 V-2 No Flame
PACKAGING QTY	8000
POLARIZATION	

Scroll right to navigate table

