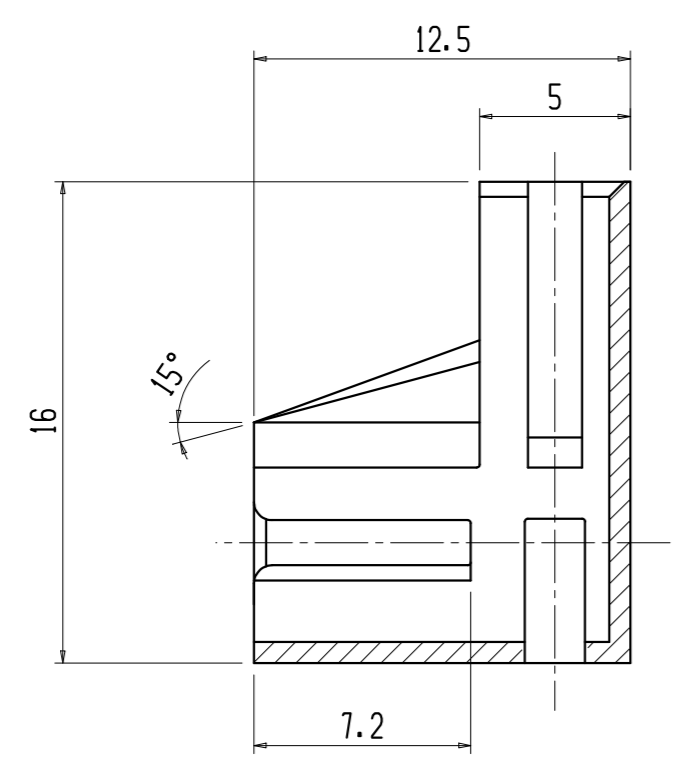
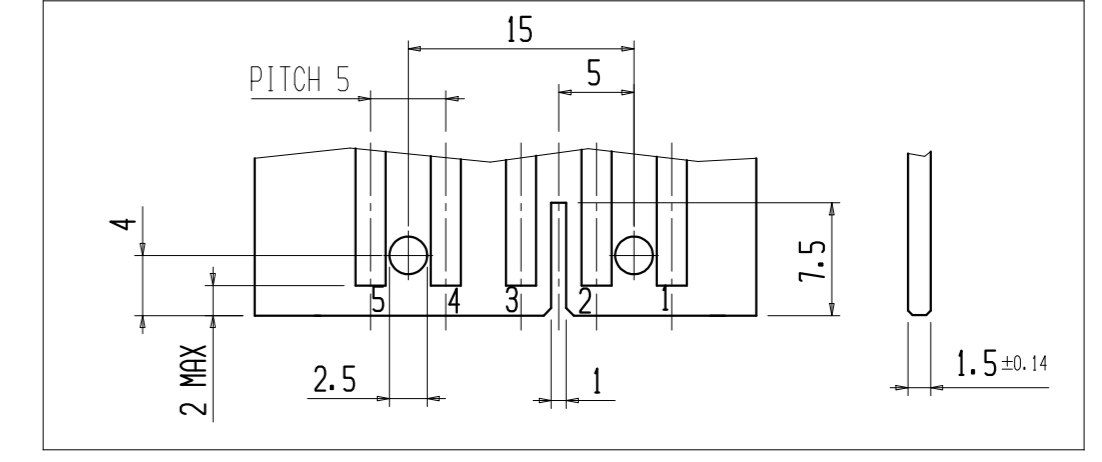
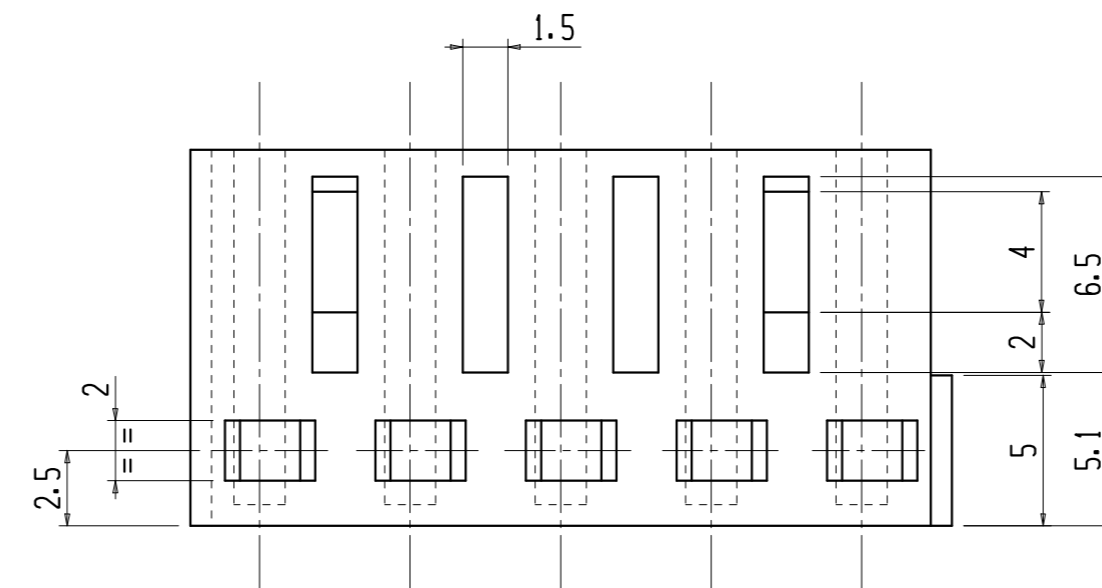
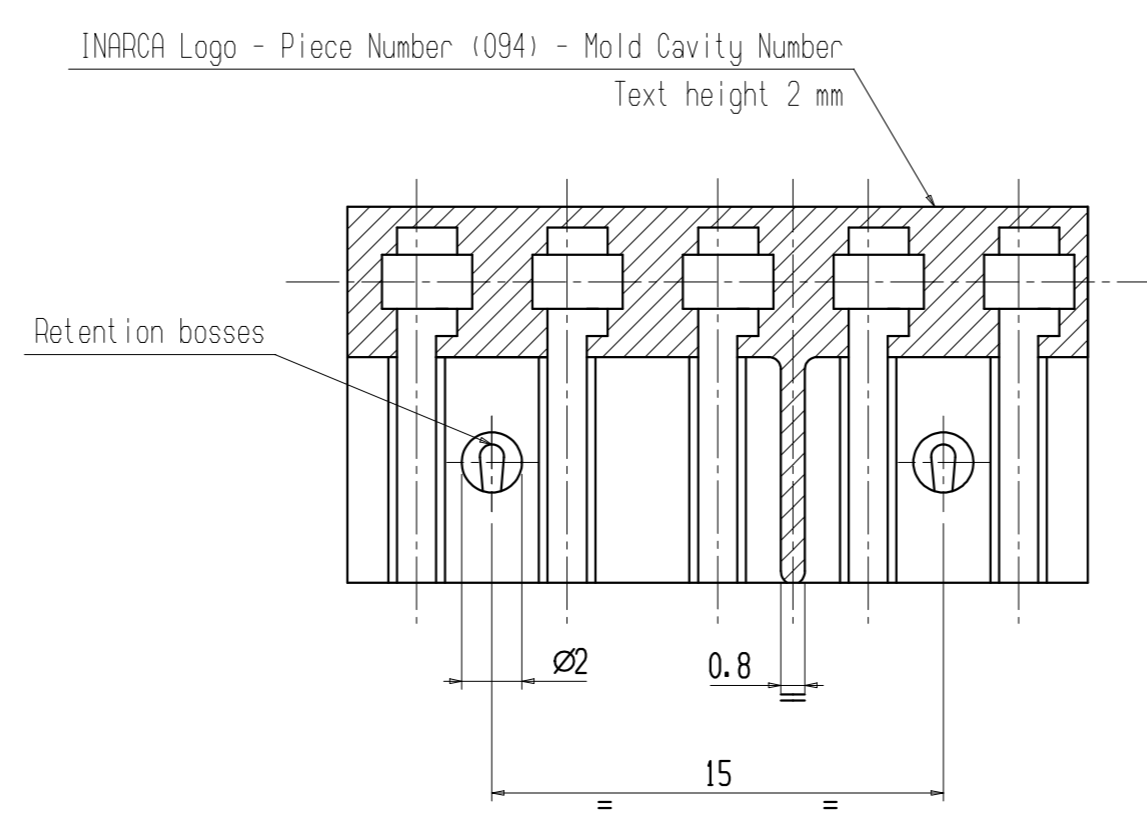
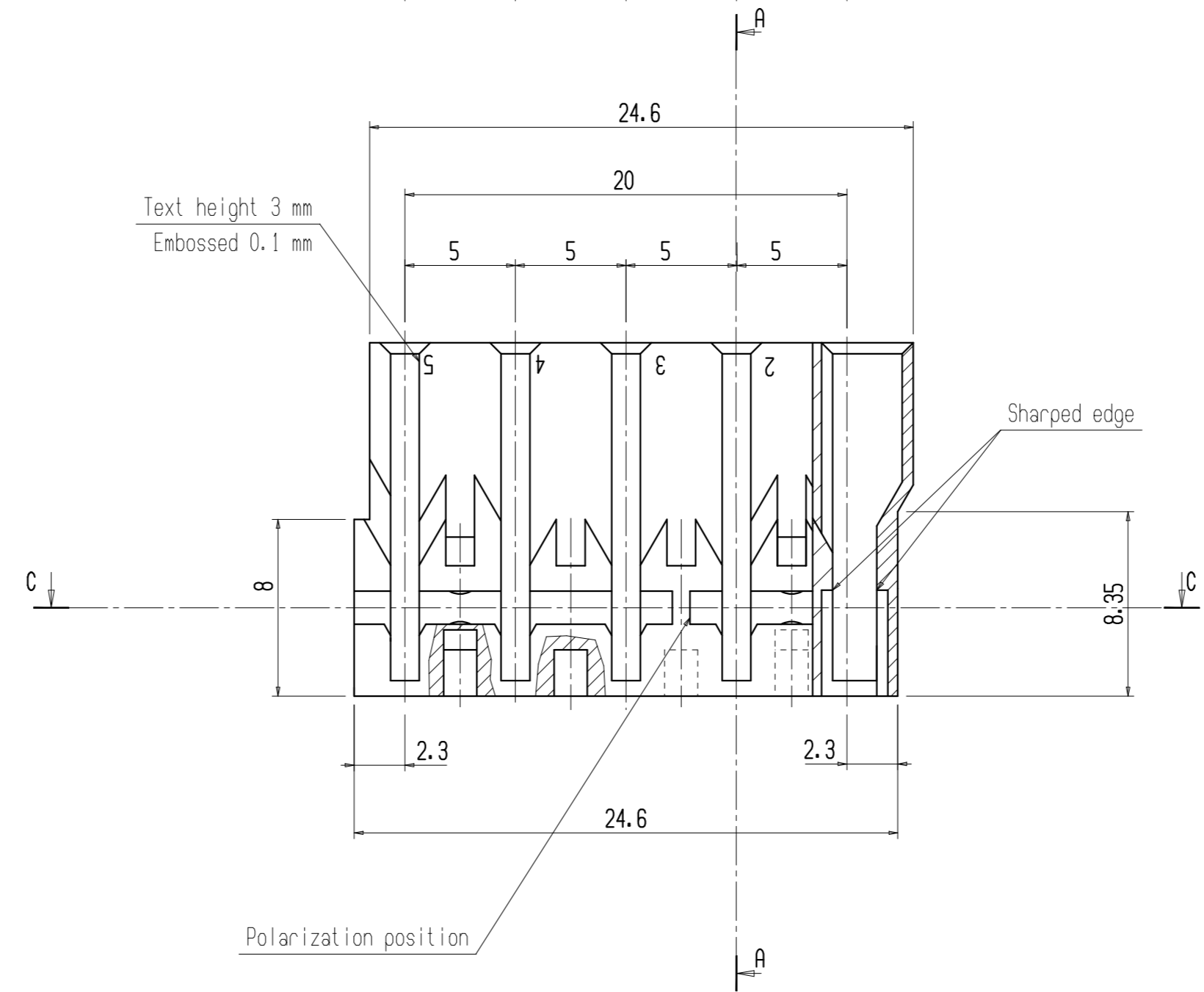



01 Housing suitable for female terminal INAR-EDGE  
For assembly refer to PA500002600



SEC. A-A



SEC. C-C

ORDER N.	GENERAL TOLLERANCE	Angularity	Non Dimensioned Edges	Surface Roughness	 Connecting energy. Energia in connessione <small>INARCA spa - Vigonovo (PD) Italy</small>												
DRAWING N. PP50094	MATERIAL Veddi Distinta Base																
VERSION 6 MOD. INDEX 7	HEAT TREATMENT																
PROJECT	FINISHING Veddi Distinta Base																
QUANTITY	LINEAR																
mm	Size	f	inc	a	3	3	6	10	18	30	50	80	120	180	250	315	400
INCH	TOLLERANCE	±	0.03	0.04	0.05	0.06	0.07	0.08	0.1	0.11	0.13	0.15	0.16	0.18	0.2		
	ISO J13	±	0.07	0.09	0.11	0.14	0.17	0.2	0.23	0.27	0.32	0.36	0.4	0.45	0.5		
		±	-	-	0.75	0.9	1.05	1.25	1.5	1.75	2	2.3	2.6	2.85	3.15		
NAME					FED. COPPO DT. 04/03/1987												
INARCA S.p.A. PADOVA ITALY ACCORDING TO THE LAW RESERVES THE RIGHT OF PROPERTY OF THE PRESENT DRAWING AND ITS REPRODUCTION AND/OR TRANSMISSION WITHOUT EXPRESS AUTHORIZATION BY THE COMPANY IS FORBIDDEN.					APP. TONTIOLLO DT. 21/07/2016												
					RIL. TONTIOLLO DT. 21/07/2016												
					PUB. DT.												

4	0864094700	PA66-V2 NCF	NATURAL	OMOLOGATO UL
3	0855094790	PA66-V0	GRIGIO	OMOLOGATO CSA
2	0855094700	PA66-V0	NATURAL	OMOLOGATO VDE
1	0854094700	PA66-V2	NATURAL	OMOLOGATO UL-VDE-CSA
POS	CODICE	MATERIALE	FINITURA	OMOLOGAZIONE