

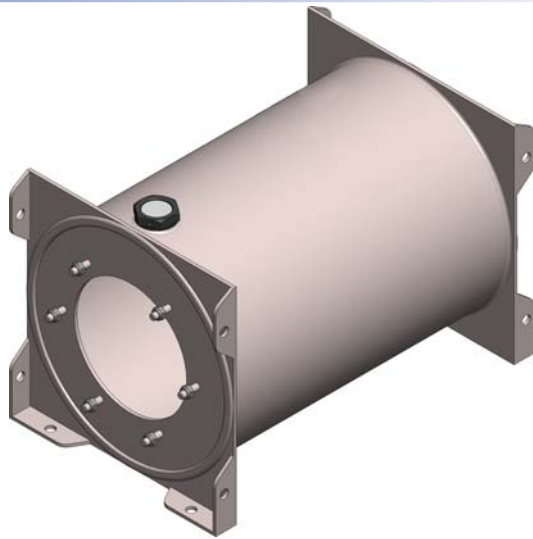
# DIMENSIONI P.K. CON SERBATOI IN ACCIAIO

## P.K. OVERALL DIMENSIONS WITH STEEL TANK

**CODICE FAMIGLIA**  
FAMILY CODE

**149**

**PK**

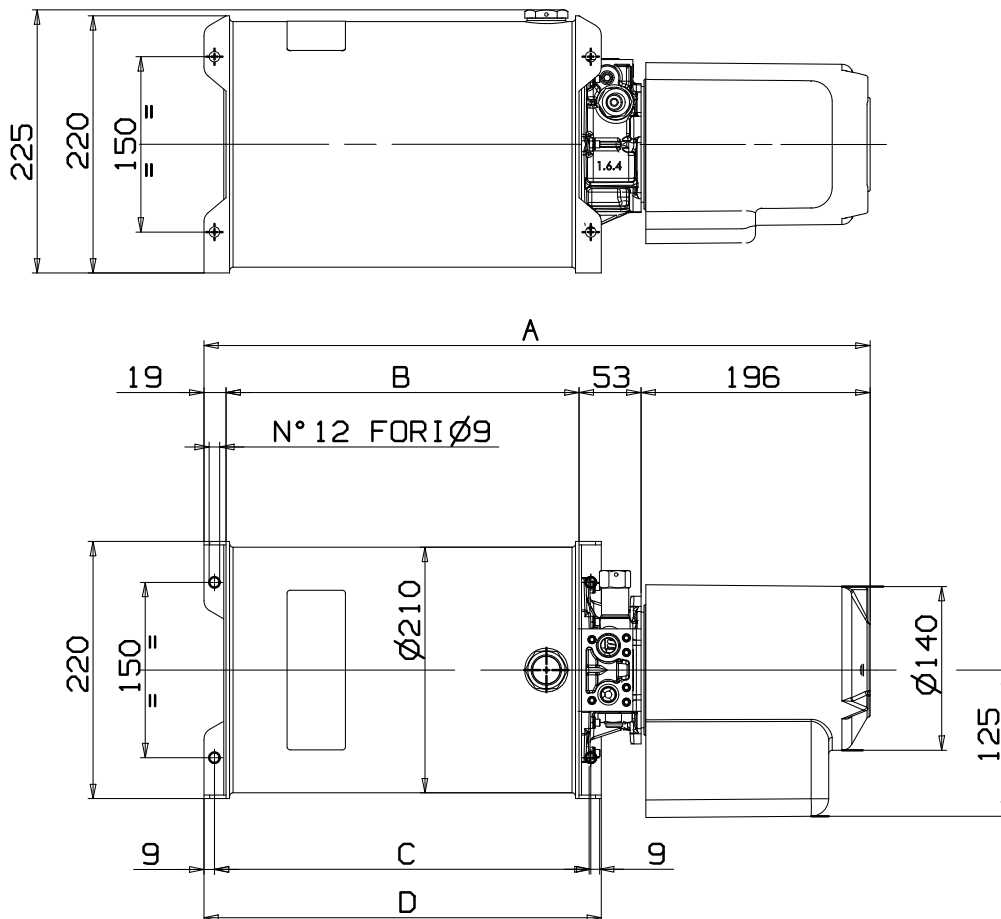


### Il serbatoio include:

- Tappo sfiato
- Guarnizione
- Tubo aspirazione E.P.K.
- Verniciatura: EPOSSI/POLIESTERE
- Colore: RAL 7021

### The tank included:

- Breather cap
- Gasket
- E.P.K. suction pipe
- Painted with grey EPOXY POWDER (RAL 7021)



**Capacità serbatoio**  
Tank capacity (lt)

**Codice ordinazione**  
Tank order code

**Dimensioni - Dimensions (mm)**

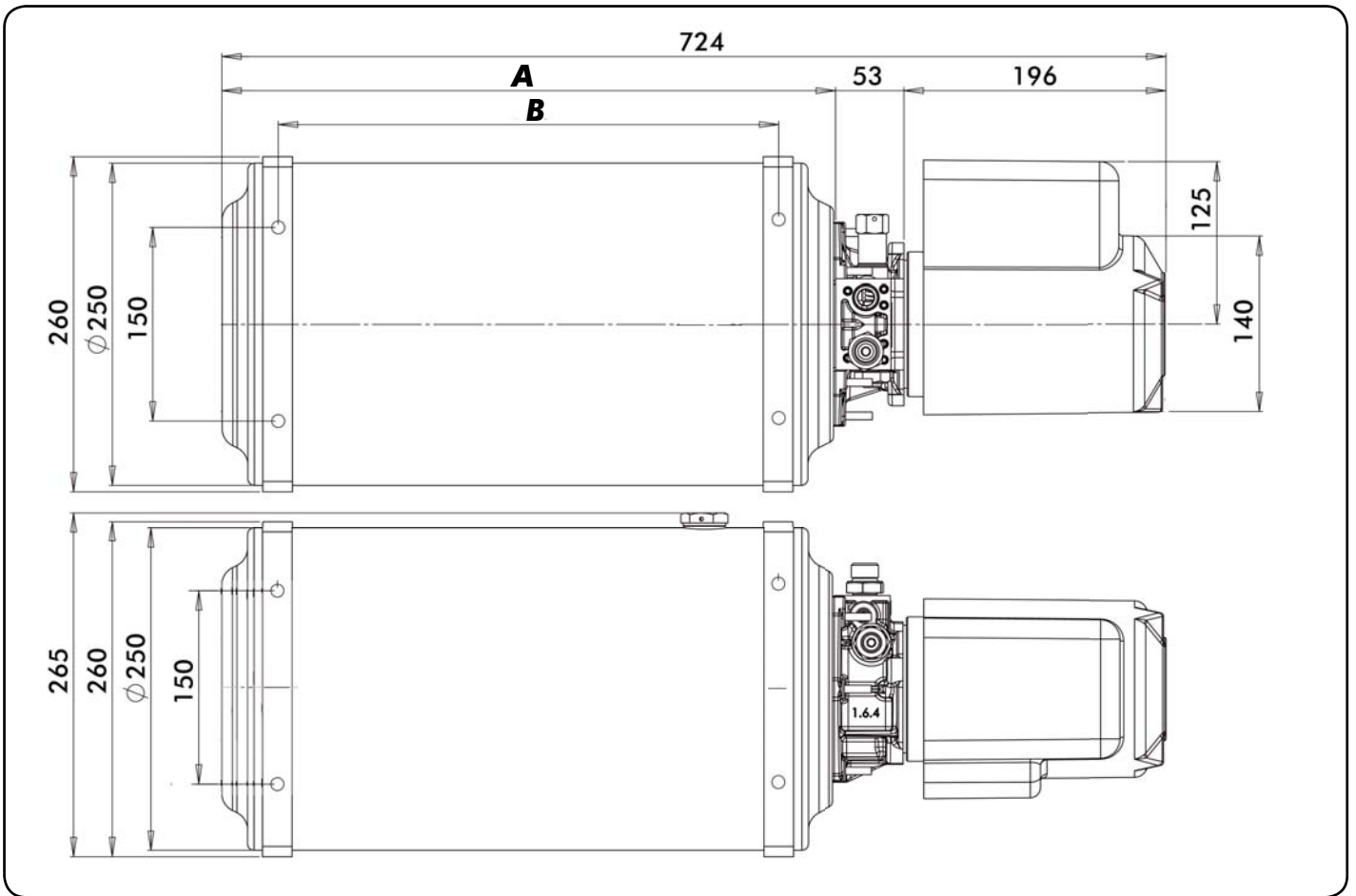
		Dimensioni - Dimensions (mm)			
		A	B	C	D
7	149-101-00576	480	212	232	250
10	149-101-00601	570	302	322	340
15	149-101-00656	720	452	472	490

pag.13

**OMFB**  
HYDRAULIC COMPONENTS

O.M.F.B. S.p.A. Hydraulic Components  
We reserve the right to make any changes without notice.  
Edition 2009.01 No reproduction, however partial, is permitted.  
Via Cave, 7/9 25050 Provaglio d'Iseo (Brescia) Italy Tel.: +39.030.9830611  
Fax: +39.030.9839207-208 Internet:www.omfb.it e-mail:info@omfb.it

COMPANY WITH  
QUALITY SYSTEM  
CERTIFIED BY DNV GL  
= ISO 9001 =



<b>Capacità serbatoio</b> Tank capacity (lt)	<b>Codice ordinazione</b> Tank order code	<b>A</b>	<b>B</b>
20	149-101-00709	475	389
30	149-101-00807	650	564