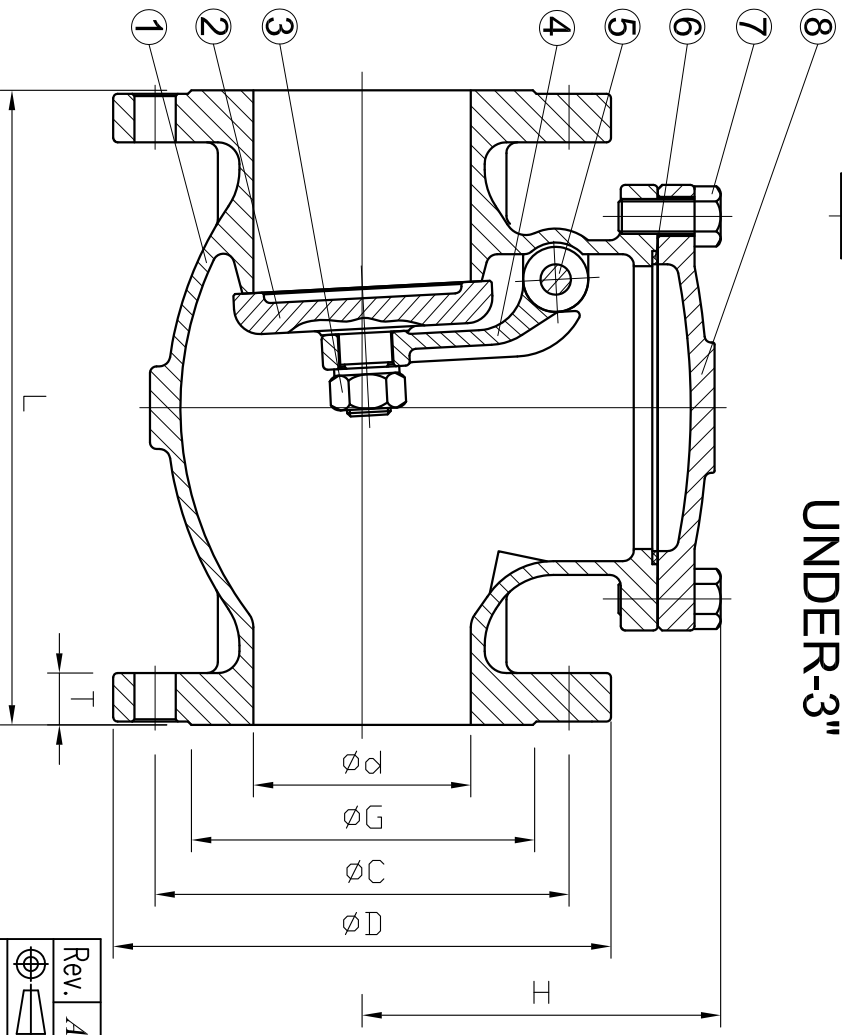


UNDER-3"



SIZE	d	L	H	D		C		G		T	
				10K	150	10K	150	10K	150	10K	150
1/2"	15	112	65	95	89	70	60.5	52	35	12	11.1
3/4"	20	125	70	100	98	75	70	58	43	14	11.1
1"	25	135	75	125	108	90	79.5	70	51	14	11.1
1-1/2"	40	165	107	140	127	105	98.5	85	73	16	14.3
2"	50	203	120	155	152	120	120.5	100	92	16	15.9
2-1/2"	65	216	135	175	178	140	139.5	120	105	18	17.5
3"	80	241	147	185	190	150	152.5	130	127	18	19.1
4"	100	292	169	210	229	175	190.5	155	157	18	23.9
5"	125	330	190	250	254	210	216	185	186	20	23.9
6"	150	356	213	280	279	240	241.5	215	216	22	25.4
8"	200	495	253	330	343	290	298.5	265	270	22	28.6
10"	250	622	279	400	406	355	362	325	324	24	30.2
12"	300	698	312	445	483	400	432	370	381	24	31.8

- FEATURES
- FACE TO FACE DIMENSIONS: JIS B2002 / ANSI B16.10
 - END FLANGE DIMENSIONS: JIS B2239 / ANSI B16.5
 - DESIGN: ANSI B16.34
 - TEST: API 589
 - INVESTMENT CASTING BODY

TEST PRESSURE:

SHELL (BY WATER)		450PSI
		32kg/cm ²
SEAT		315PSI
BY WATER		22kg/cm ²
BY AIR		80PSI
		6kg/cm ²

NO.	PARTNAME	MATERIAL
1	BODY	SCS13/CF8 SCS14/CF8M
2	DISC	SCS13/CF8 SCS14/CF8M
3	NUT	SS304
4	ARM HINGE	SCS13/CF8 SCS14/CF8M
5	HINGE PIN	SS304 SS316
6	GASKET	PTFE (OR NO ASBESSETOS)
7	BOLT	ASTM A194-B8/A194-2H
8	BONNET	SCS13/CF8 SCS14/CF8M
9	BOLT	SS304

Valve-tek MFG. CO., LTD.

Rev. A				
Checked	Morris	Date	2007/9/21	Type
Designer	Kevin	Scale	Fit	Dwg_No. VT_10K/150LB(522,523,525,526)_133
Drawn	Kevin	Describe	SWING CHECK VALVE	
		VT-WCF		

4"UP